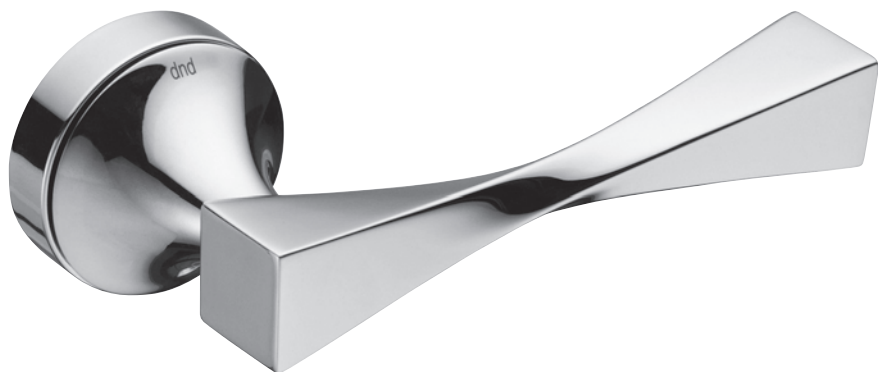


twist

design:
Karim Rashid

made in italy



TW14
OC

290-

Ottone stampato a caldo
Hot stamped brass



OC
Power cromo lucido
Power polished chrome



PCS
Power cromo satinato
Power satin chrome



ONS
Nickel satinato
Satin nickel



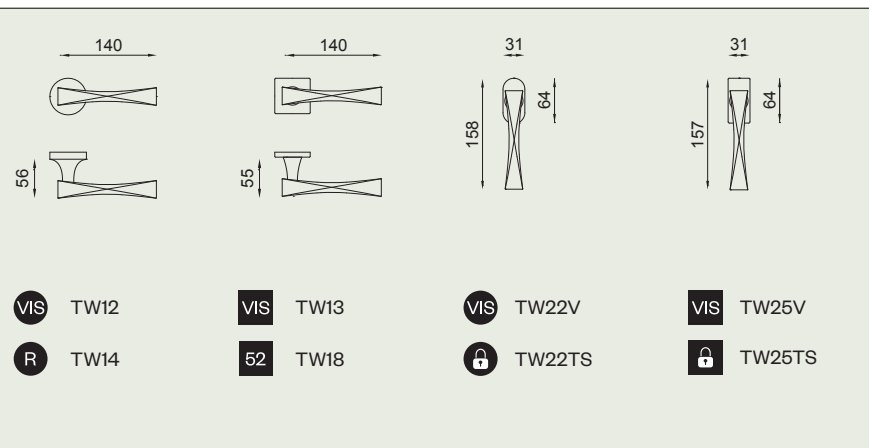
twist 02 - OC
Power cromo lucido
Power polished chrome



twist 02 - PCS
Power cromo satinato
Power satin chrome



twist 02 - ONS
Nickel satinato
Satin nickel



dnd22-23

291