

AN 180 3D

for unrebated residential doors up to 80 kg



Product features

- completely concealed hinge system
- for timber and aluminium frames
- for unrebated residential doors
- 3D adjustment (side +/- 1,5 mm, height +/- 2,5 mm, compression +/- 1,0 mm)
- material zamak / steel

Technical data

Property	Value
Load capacity	80,0 kg
Overall length	110,0 mm
Width (door part)	24,0 mm
Width (frame part)	24,0 mm
Cutter diameter	16,0 mm
Collar ring diameter	27,0 mm
Opening angle	180°

Notes

The load capacity mentioned above refers to the use

Quality marks



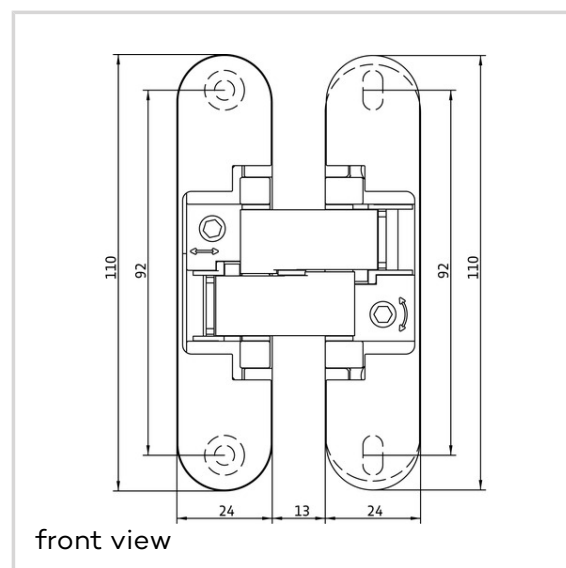
CE certification



IFT certification



UL certification



ANSELMI - AN 180 3D

of 2 hinges per door leaf (900 x 2100 mm).

Suggested screws: Frame side: Countersunk head screws DIN 7505 A, Diameter 4,5 mm Door side: Pan head screws DIN 7505 B, Diameter 4,5 mm

Alternatively, the routing can be carried out with a cutter diameter of 14,0 mm and a collar ring diameter of 25,0 mm.

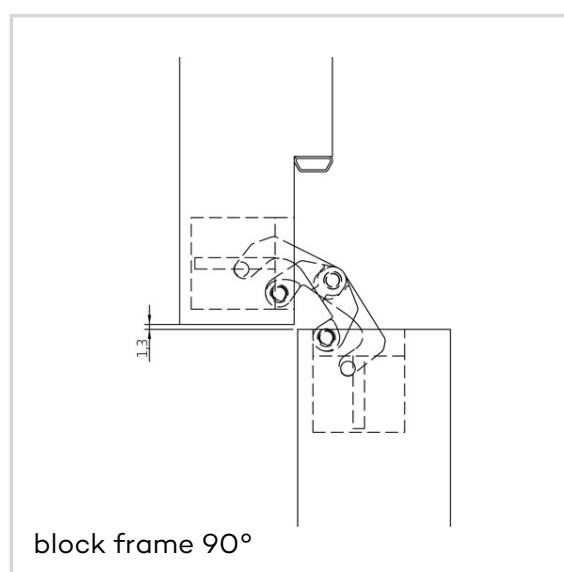
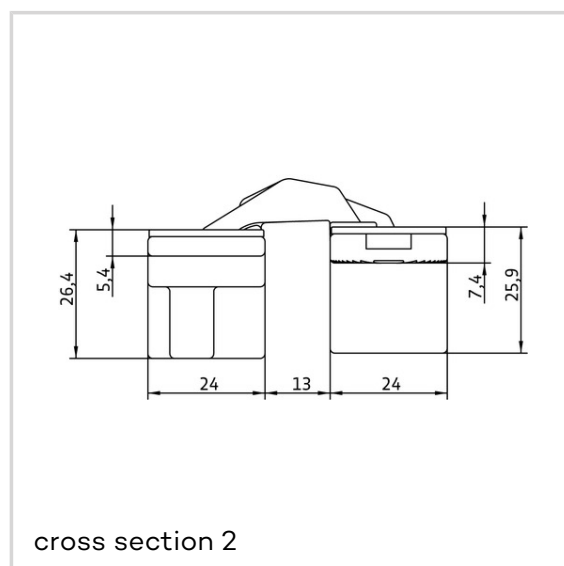
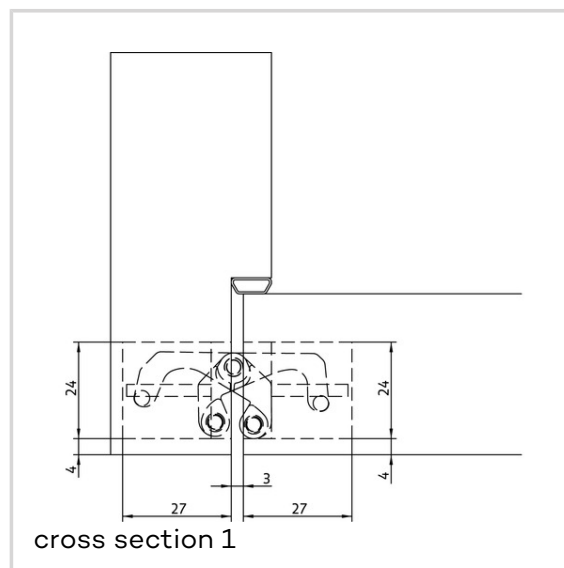
Combinations

AN 107 3D C60

AN 140 3D FZ

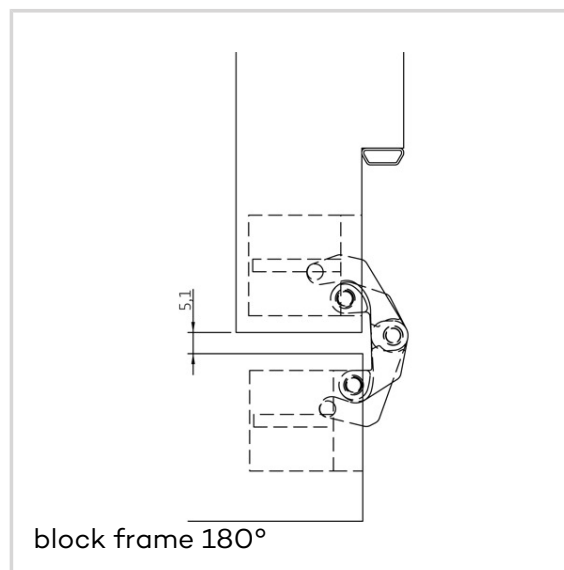
Item versions

Finish	Rustic Umber (AN 012)
VPE	pack of 2
DIN	DIN right and left hand
Article number	AN 180 3D (AN 012)
EAN	8054608708037
Finish	Satin Chrome (AN 014)
VPE	pack of 2
DIN	DIN right and left hand
Article number	AN 180 3D (AN 014)
EAN	8054608708044
Finish	Light Bronze (AN 016)
VPE	pack of 2
DIN	DIN right and left hand
Article number	AN 180 3D (AN 016)
EAN	8054608708068
Finish	Black (AN 018)
VPE	pack of 2
DIN	DIN right and left hand
Article number	AN 180 3D (AN 018)
EAN	8054608708082
Finish	Antique Bronze (AN



ANSELMI - AN 180 3D

VPE	035)
DIN	pack of 2
Article number	DIN right and left hand
EAN	AN 180 3D (AN 035)
	8054608708099
Finish	Aluminium Chrome (AN 036)
VPE	pack of 2
DIN	DIN right and left hand
Article number	AN 180 3D (AN 036)
EAN	8054608708105
Finish	Polished Brass (AN 037)
VPE	pack of 2
DIN	DIN right and left hand
Article number	AN 180 3D (AN 037)
EAN	8054608708112
Finish	Polished Chrome (AN 039)
VPE	pack of 2
DIN	DIN right and left hand
Article number	AN 180 3D (AN 039)
EAN	8054608708129
Finish	Satin Nickel (AN 044)
VPE	pack of 2
DIN	DIN right and left hand
Article number	AN 180 3D (AN 044)
EAN	8054608708136
Finish	RAL 9016 Traffic White (AN 049)
VPE	pack of 2
DIN	DIN right and left hand
Article number	AN 180 3D (AN 049)
EAN	8054608708143
Finish	Anthracite (AN 050)
VPE	pack of 2
DIN	DIN right and left hand
Article number	AN 180 3D (AN 050)
EAN	8054608709027



ANSELM I - AN 180 3D

Finish	Medium Bronze (AN 051)
VPE	pack of 2
DIN	DIN right and left hand
Article number	AN 180 3D (AN 051)
EAN	8054608709034

Finish	Copper (AN 052)
VPE	pack of 2
DIN	DIN right and left hand
Article number	AN 180 3D (AN 052)
EAN	8054608709041