

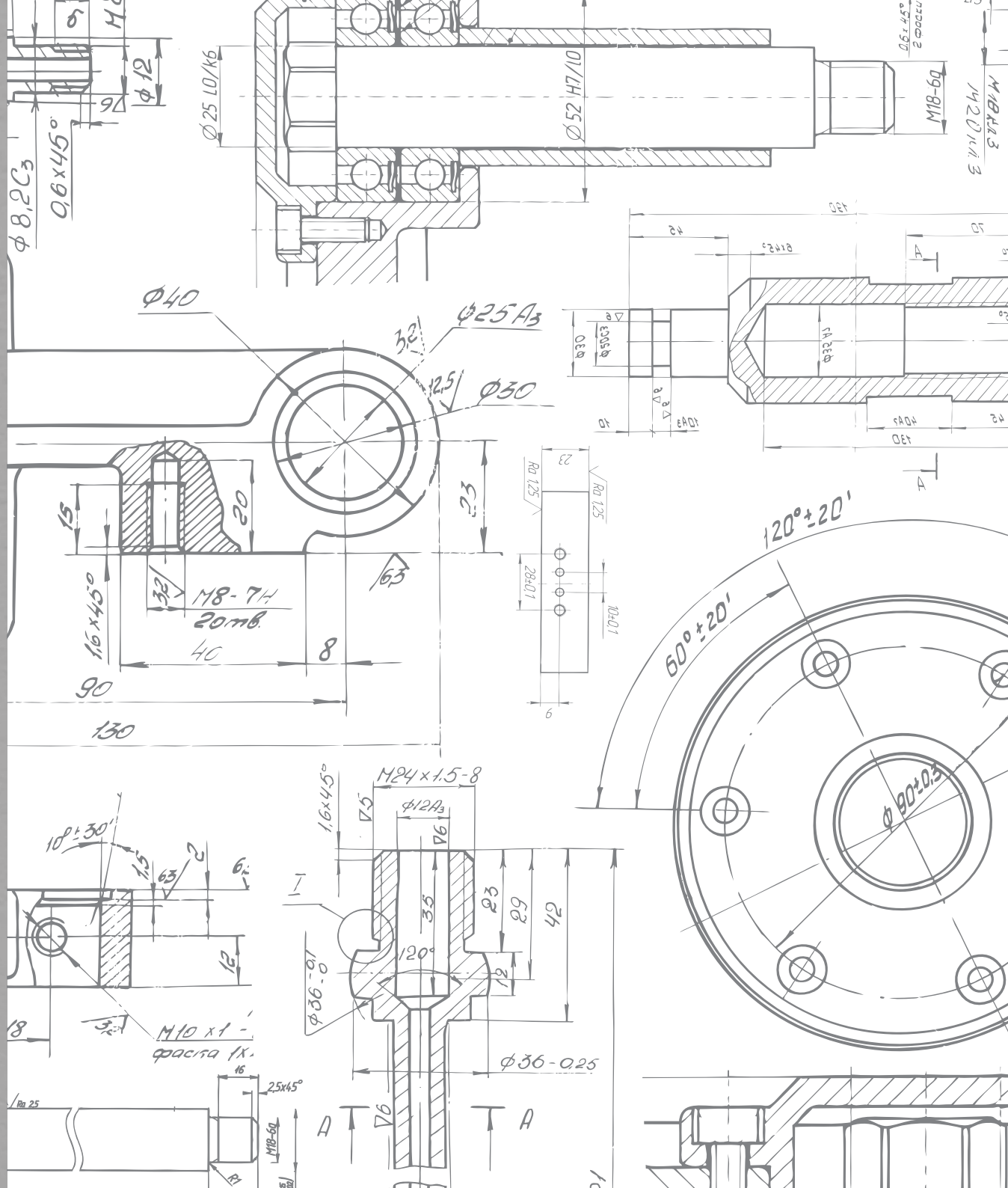


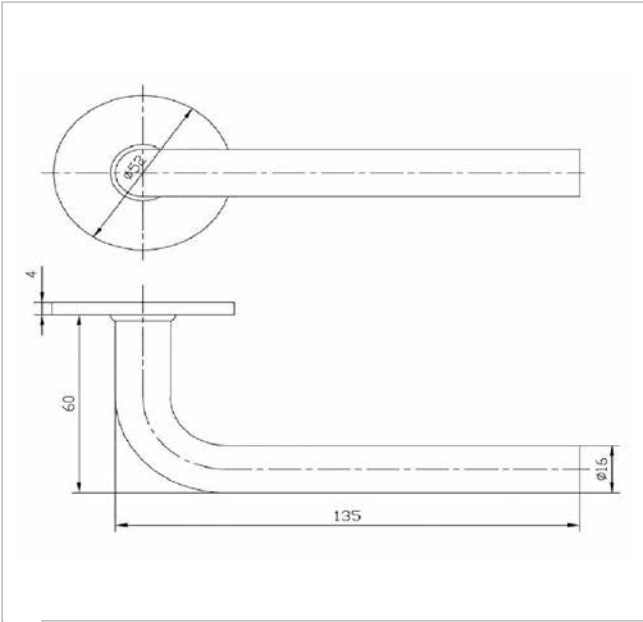
**Takes you to
the other side**

TECHNISCHE INFO CATALOGUS
INFO TECHNIQUE CATALOGUE



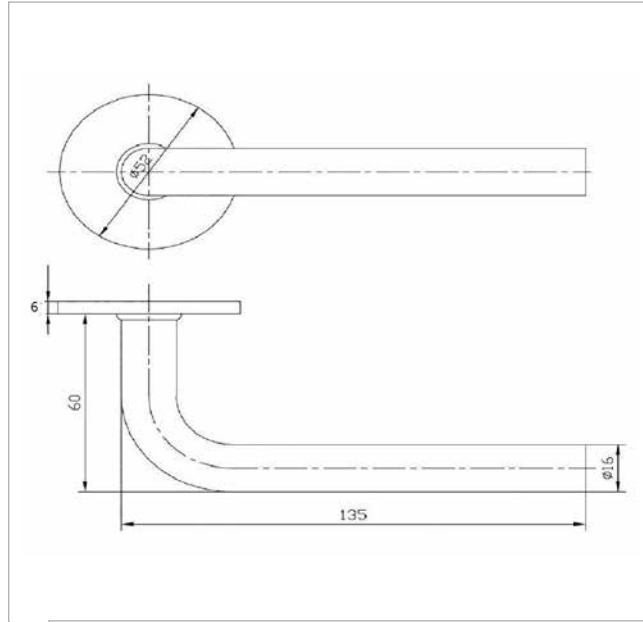
TECHNISCHE INFO
INFO TECHNIQUE





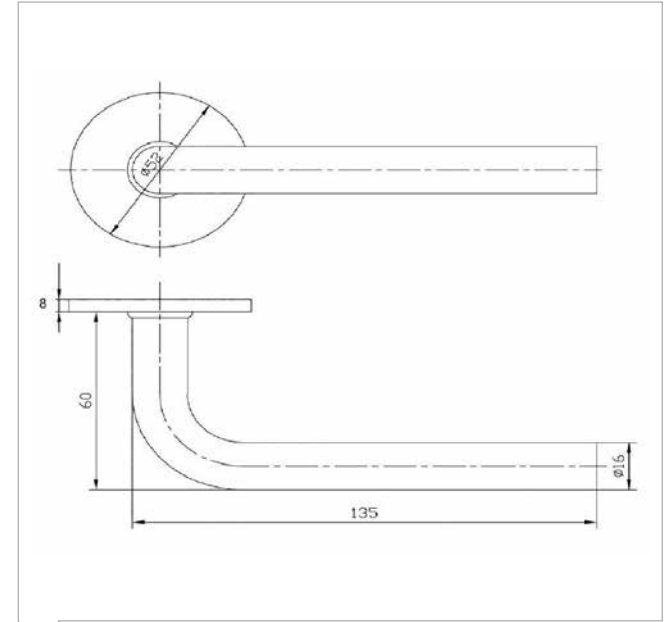
CR.BTH1026/04

P. 6



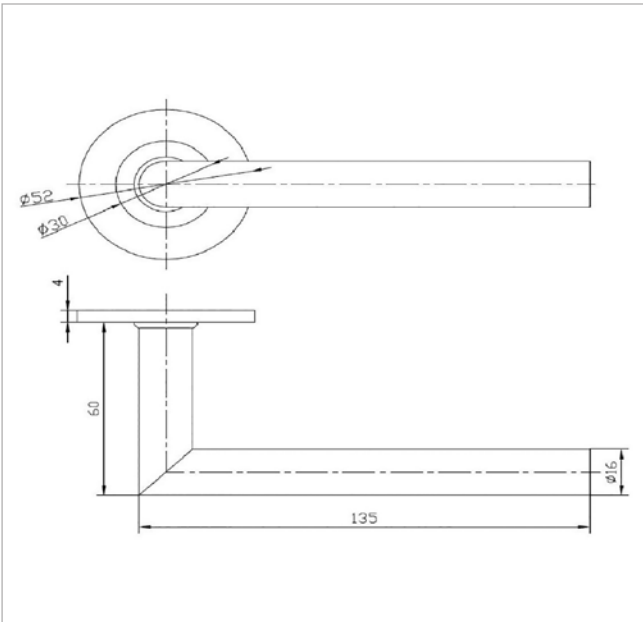
CR.BTH1026/06

P. 6



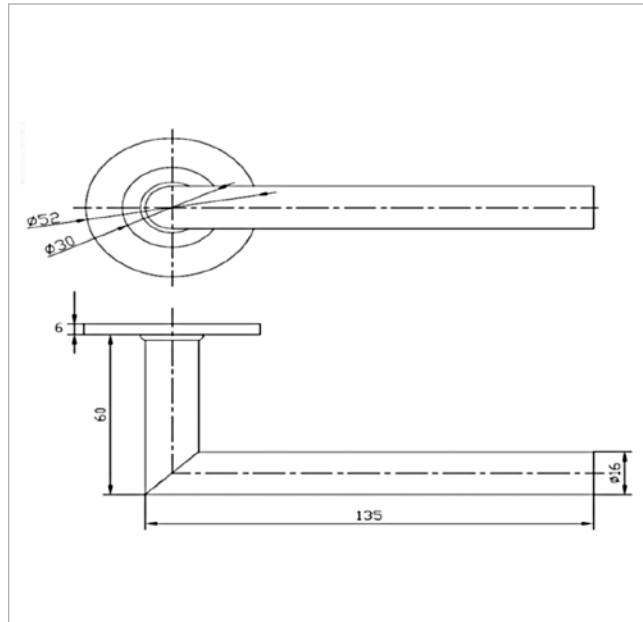
CR.BTH1026/08

P. 6



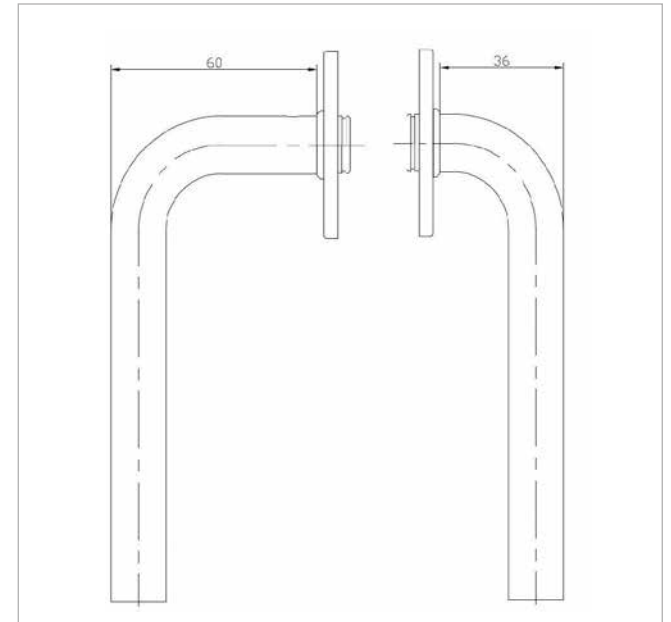
CR.BTH1046/04

P. 6



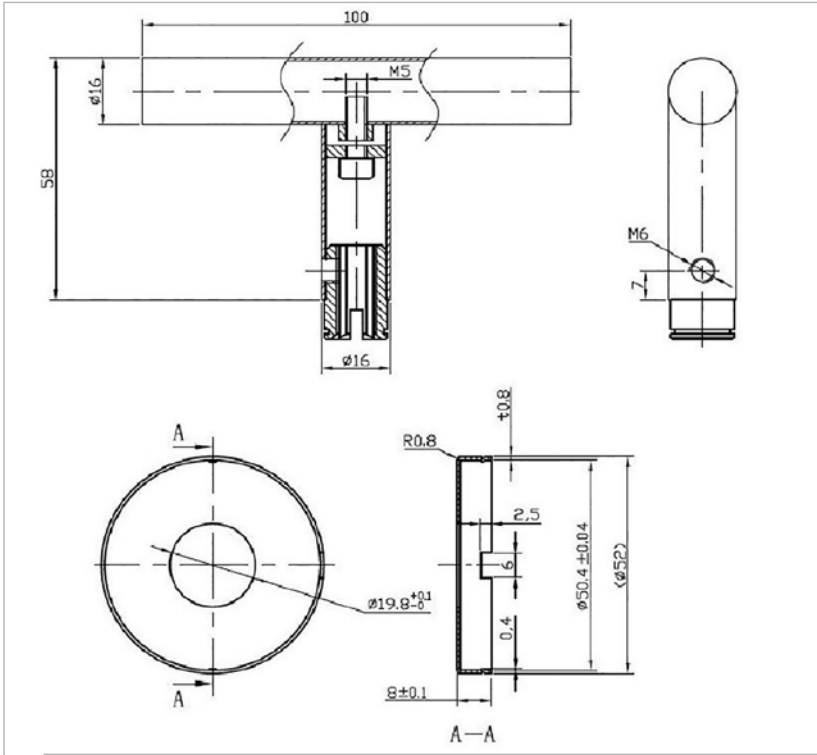
CR.BTH1046/06

P. 6



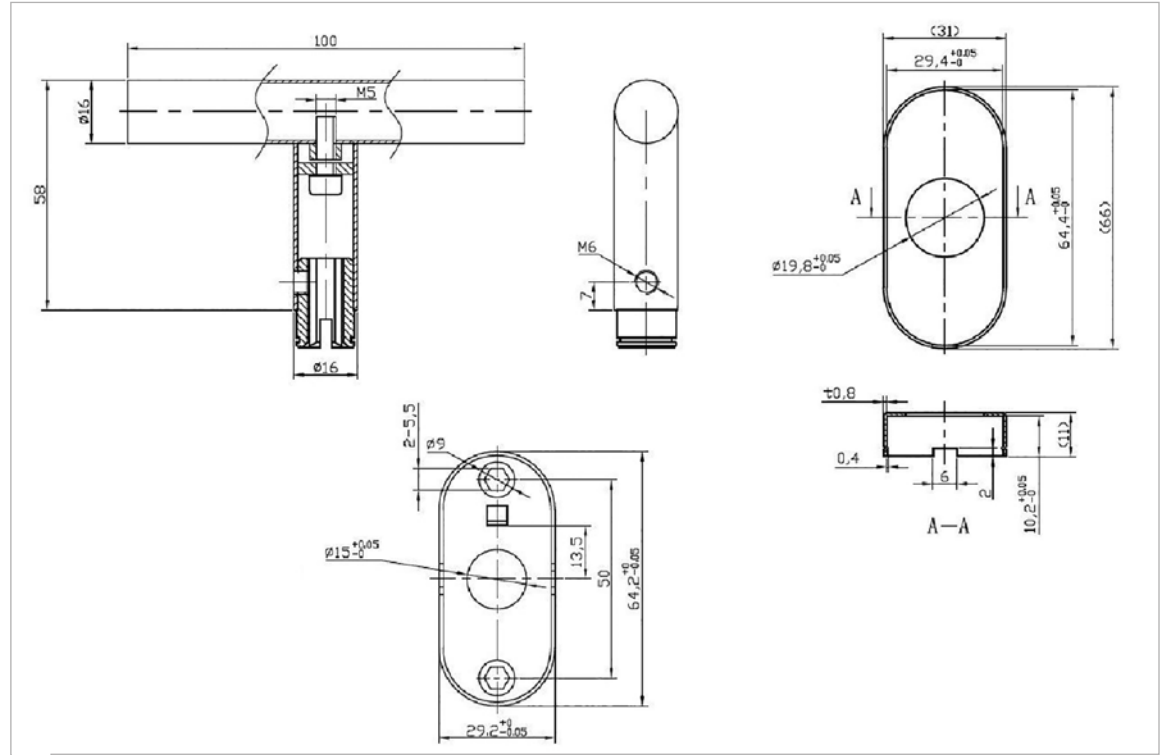
CR.BTH1026/SN

P. 6



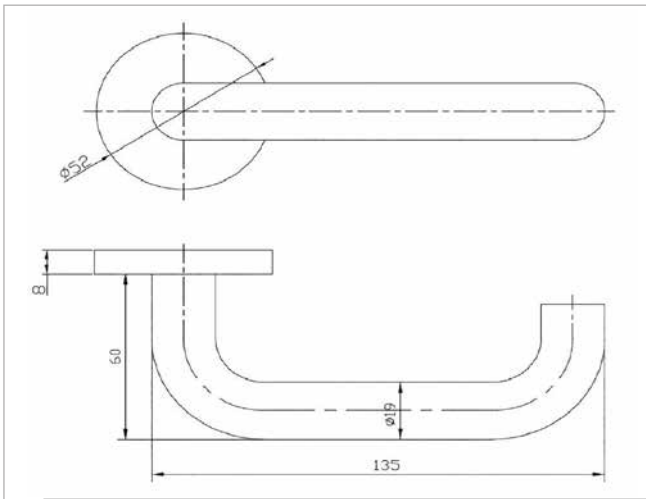
CR.BTH1016T/R

P. 6



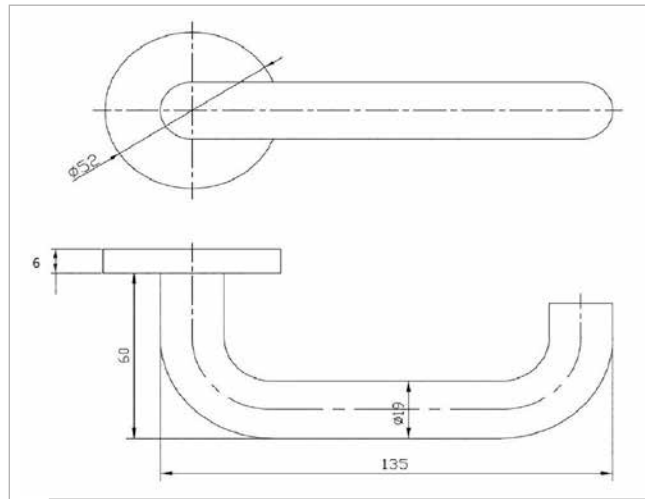
CR.BTH1016T/O

P. 6



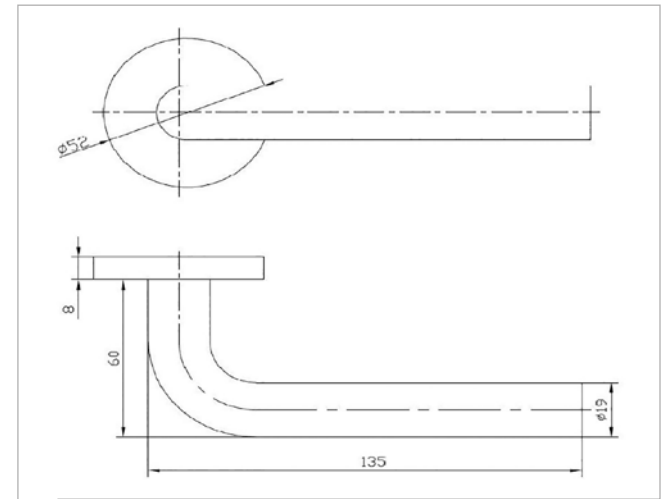
CR.BTH1019/08

P. 7



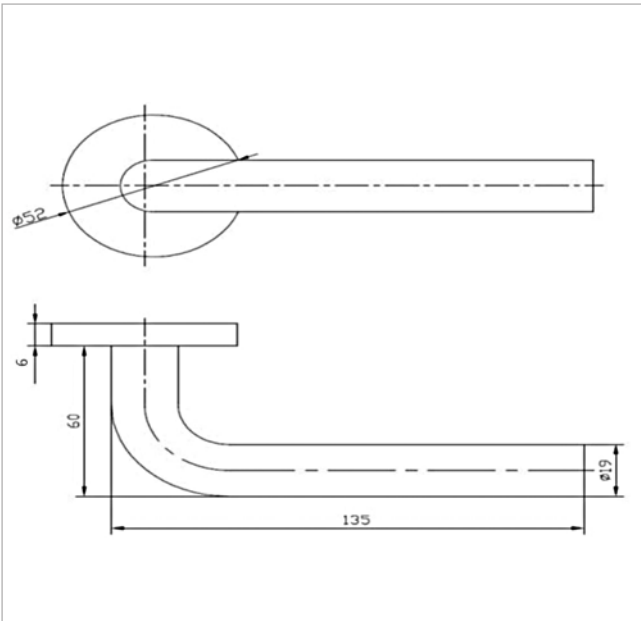
CR.BTH1019/06

P. 7



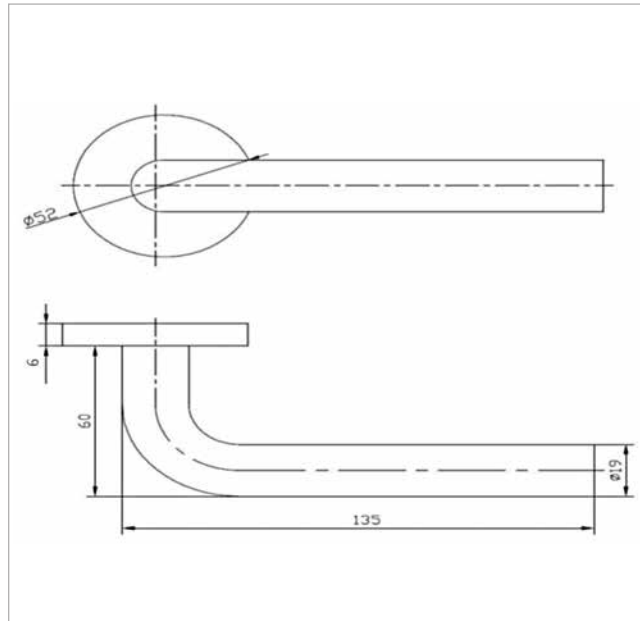
CR.BTH1029/08

P. 7



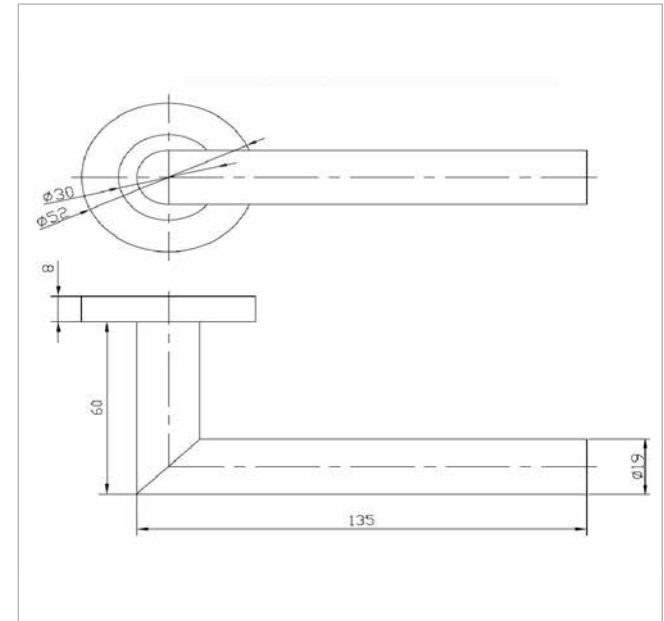
CR.BTH1029/06

P. 7



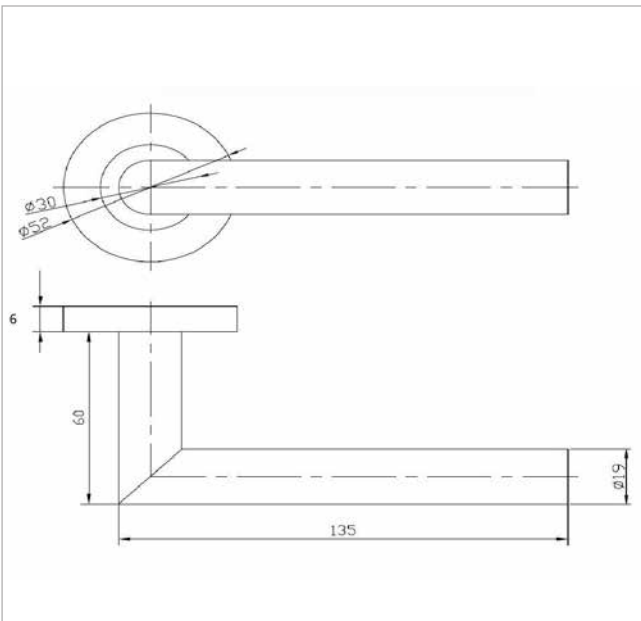
CR.BTH1029DS

P. 7



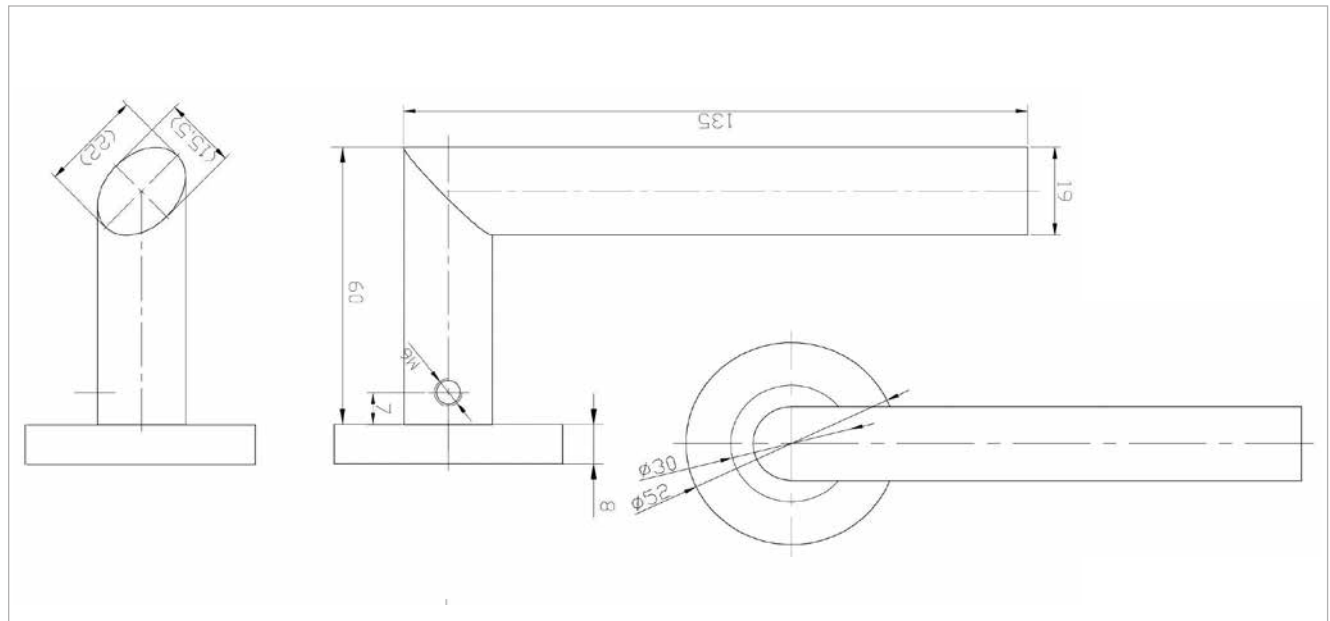
CR.BTH1049/08

P. 7



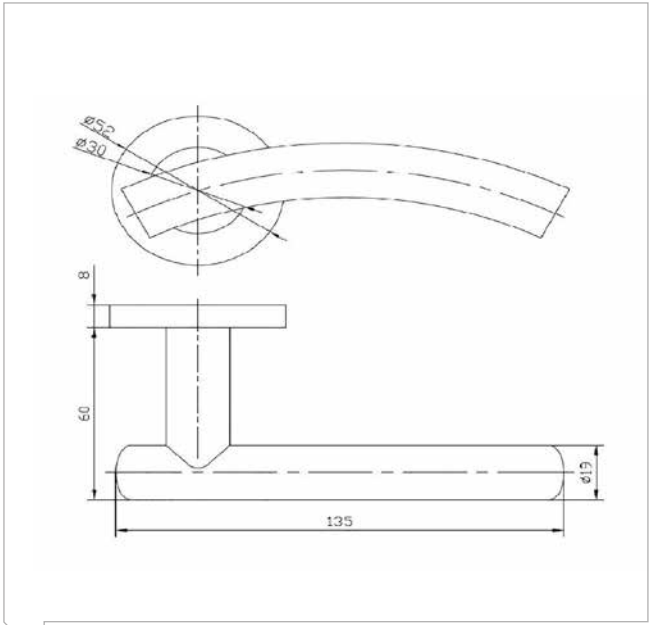
CR.BTH1049/06

P. 7



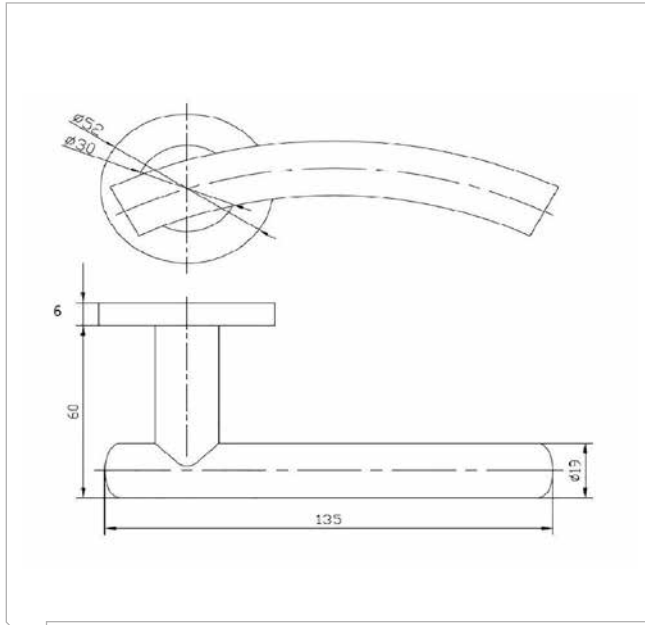
CR.BTH1220

P. 7



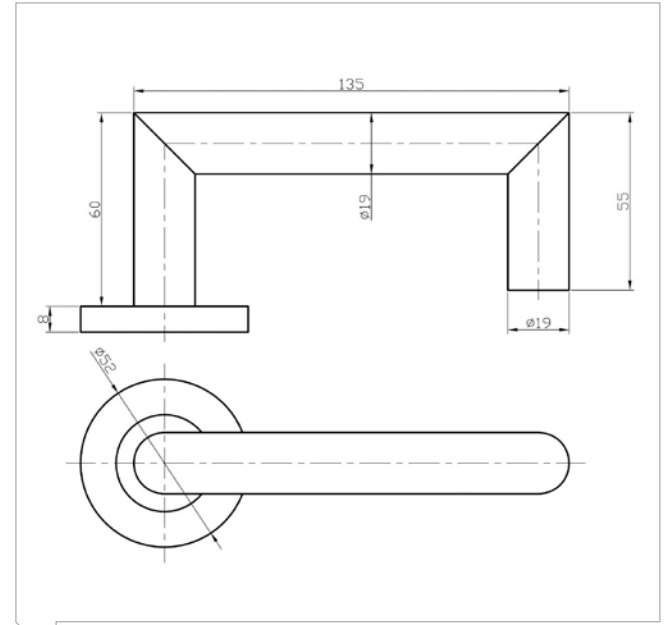
CR.BTH1059/08

P. 7



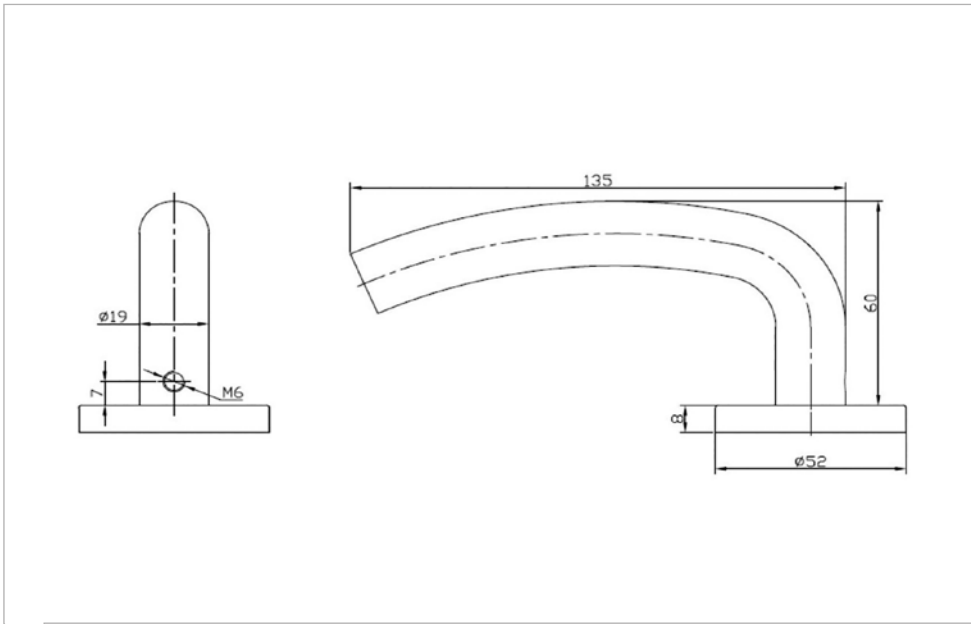
CR.BTH1059/06

P. 7



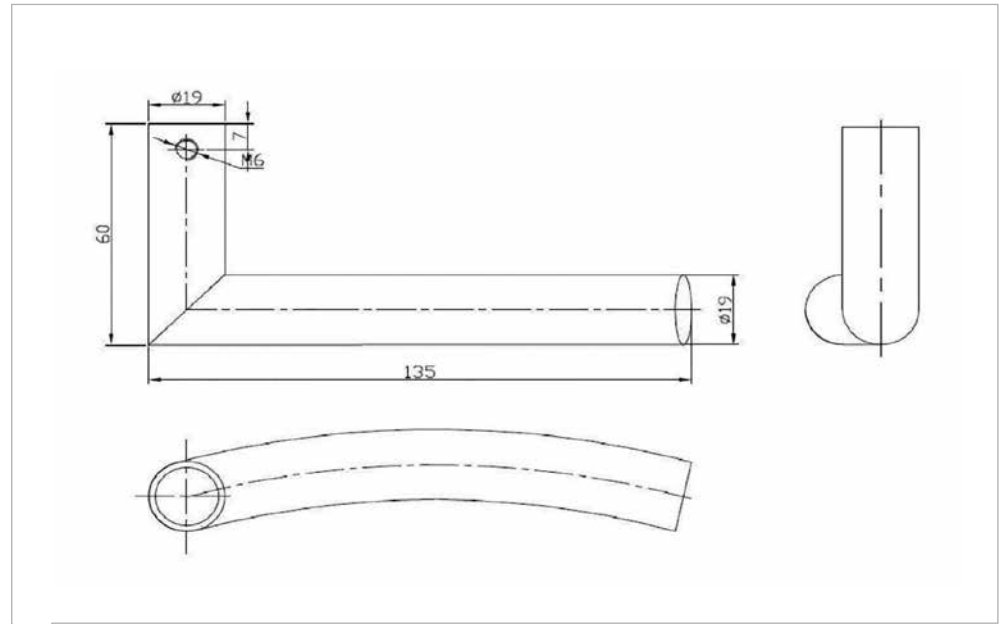
CR.BTH1019/08DC

P. 8



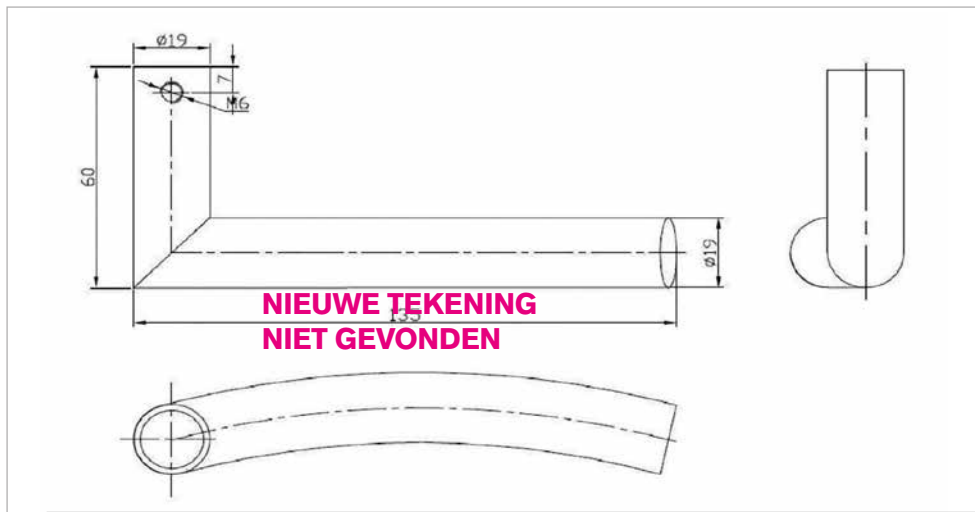
CR.BTH1039

P. 7



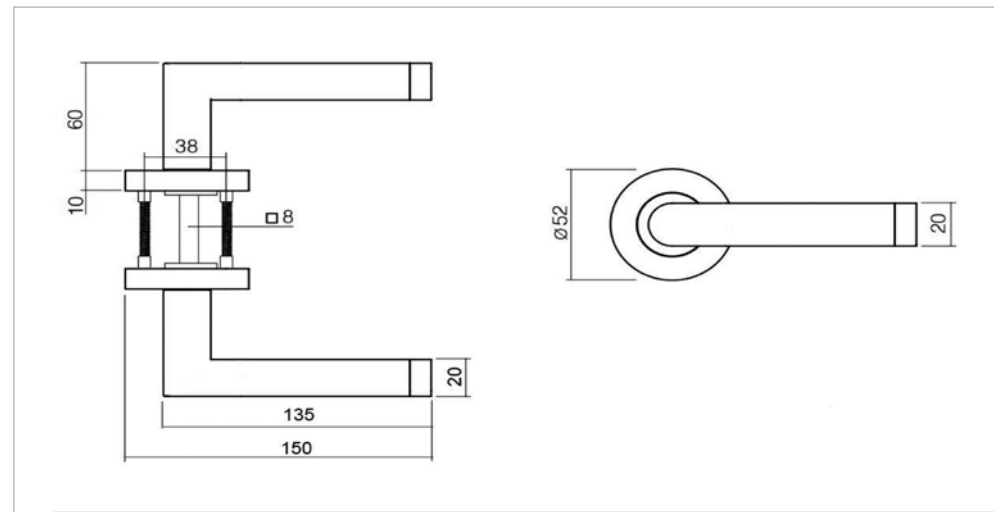
CR.BTH1089/08

P. 8



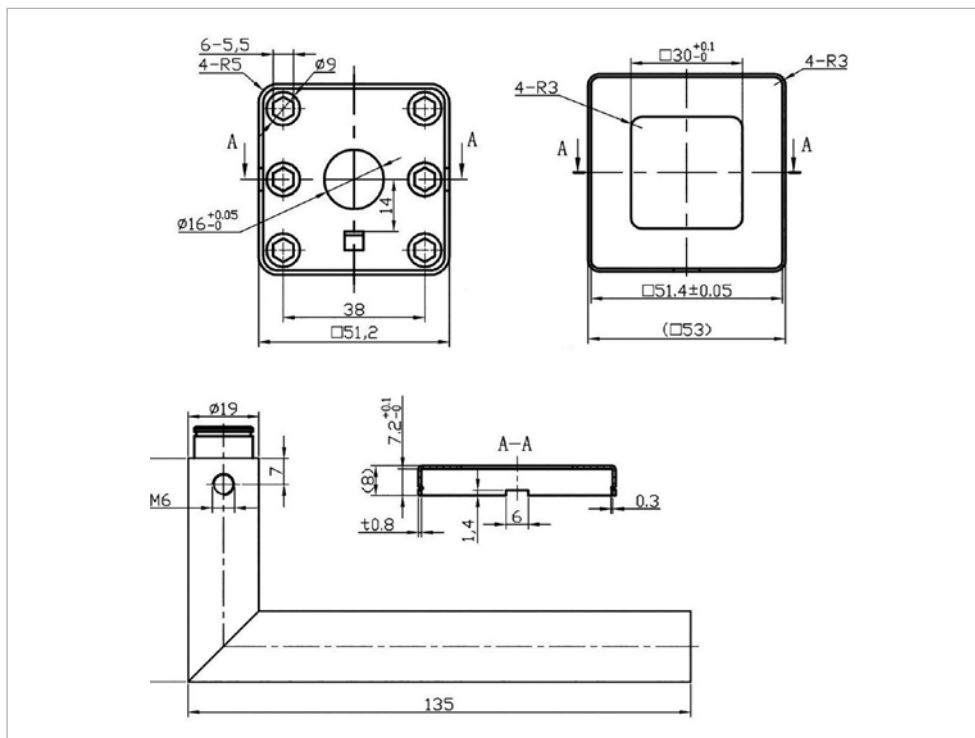
CR.BTH1089/06

P. 8



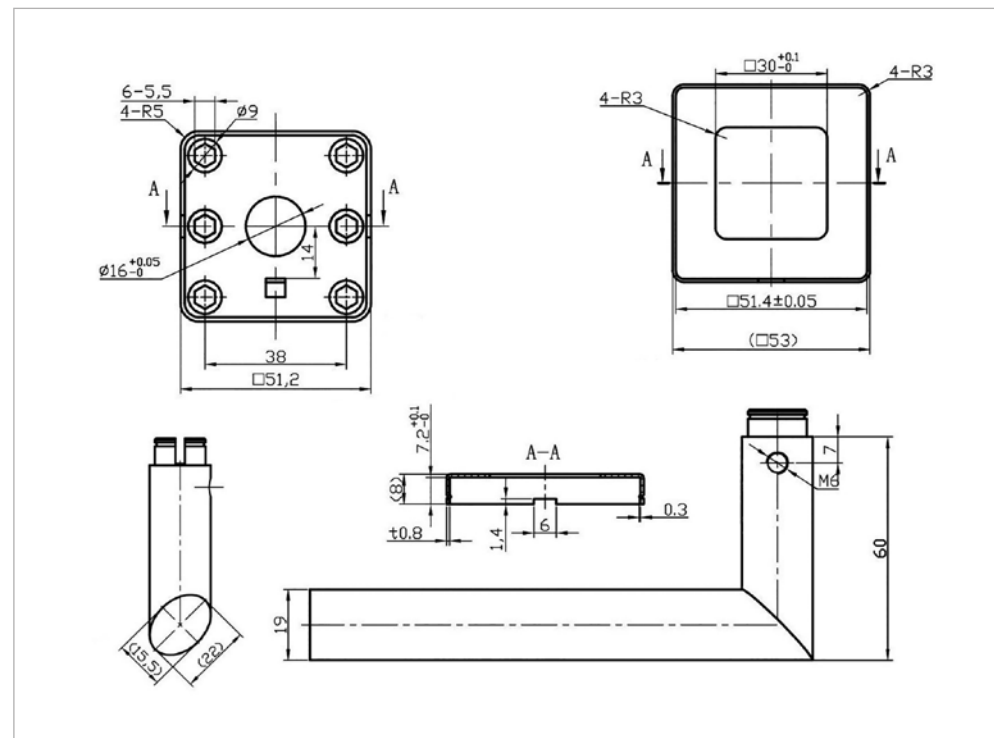
CR.BTH1049 LED

P. 8



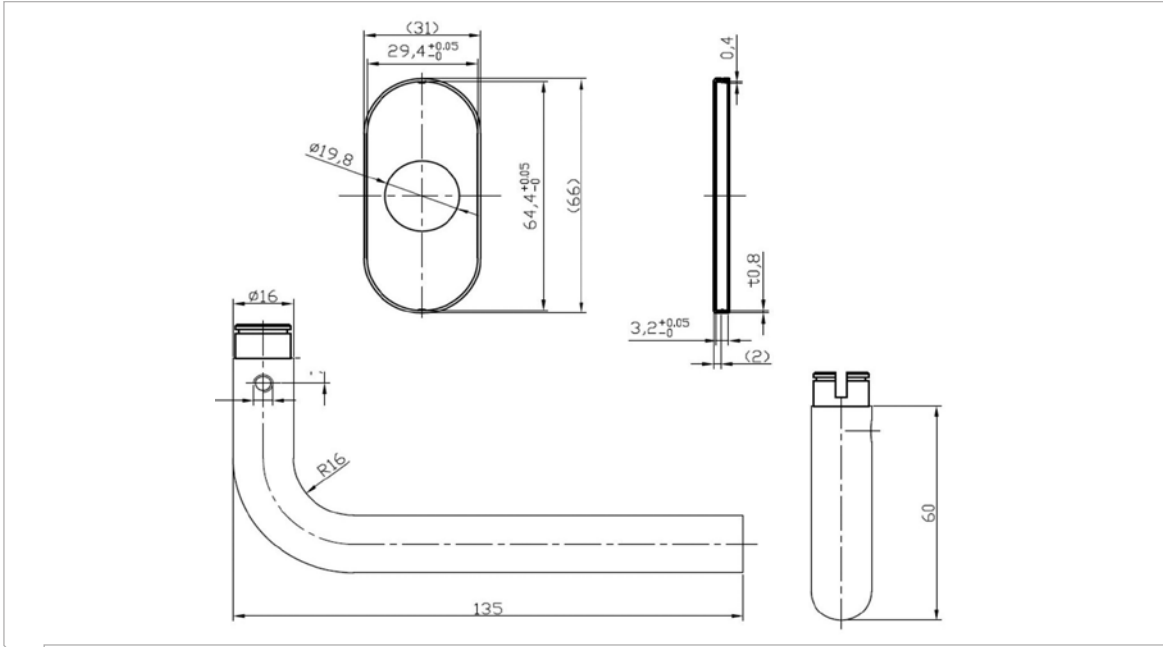
CR.BTH1049SQ

P. 8



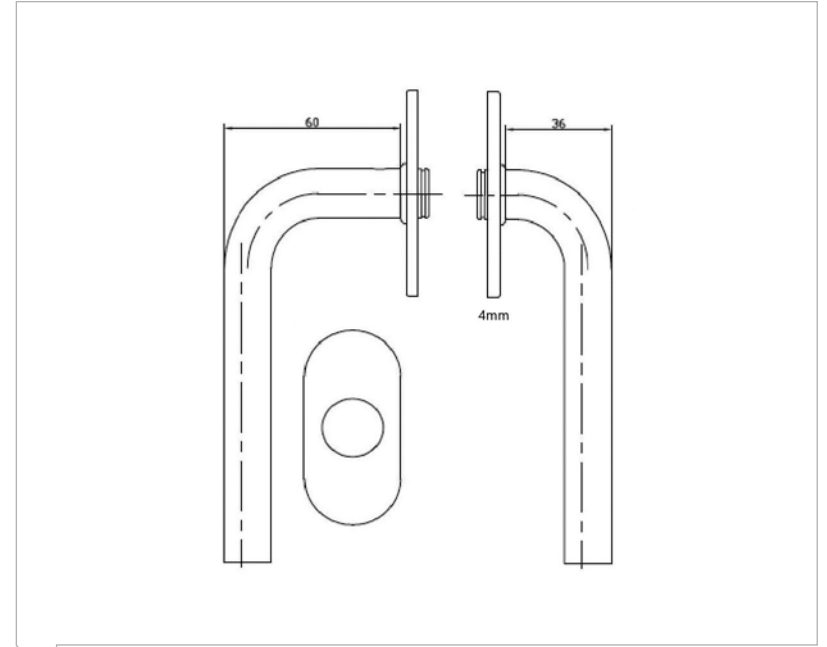
CR.BTH1220SQ

P. 8



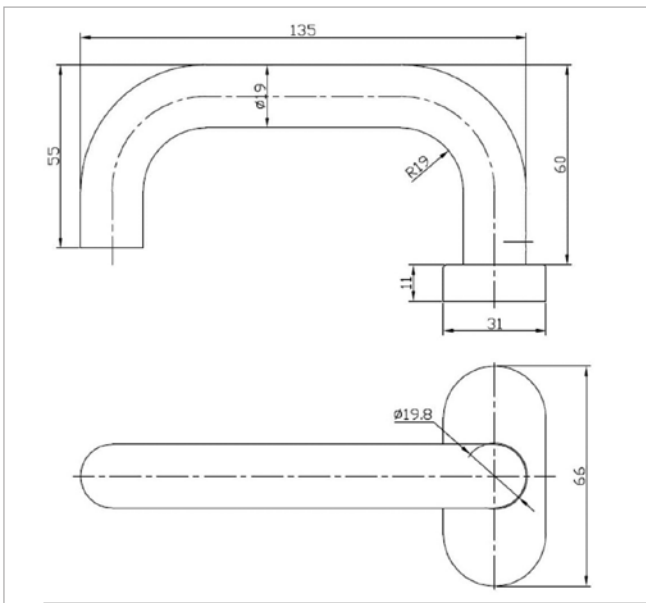
CR.BTHOV1026

P. 9



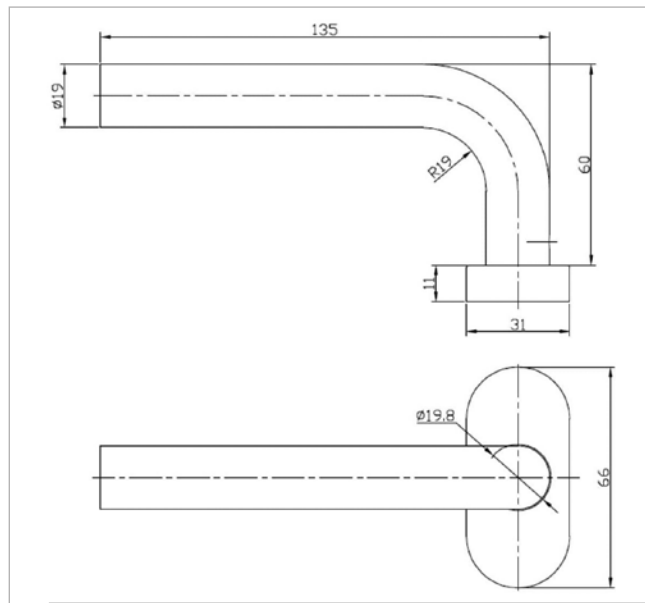
CR.BTHOV1026SN

P. 9



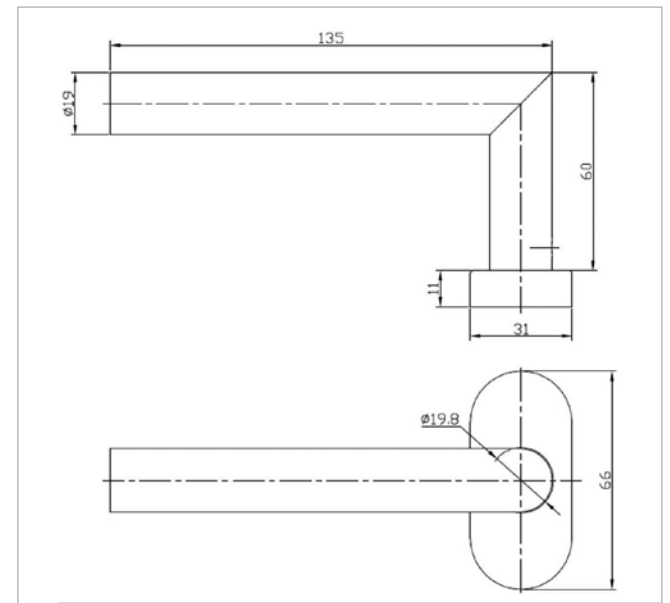
CR.BTHOV1019

P. 9



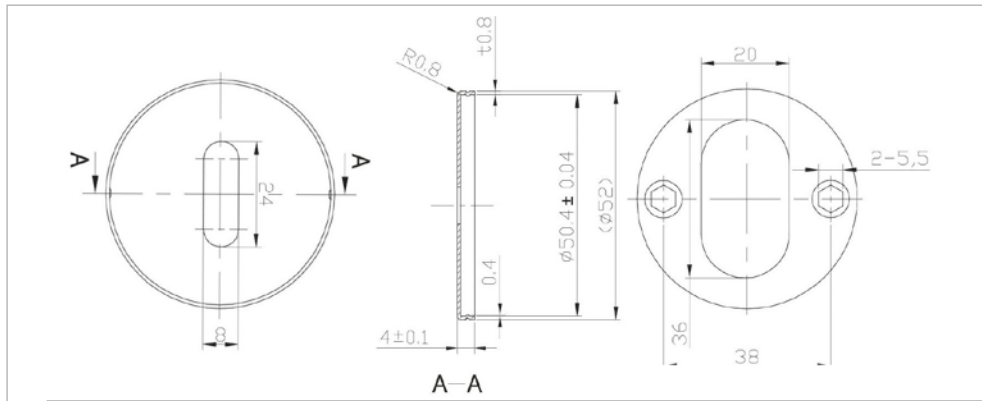
CR.BTHOV102908

P. 9



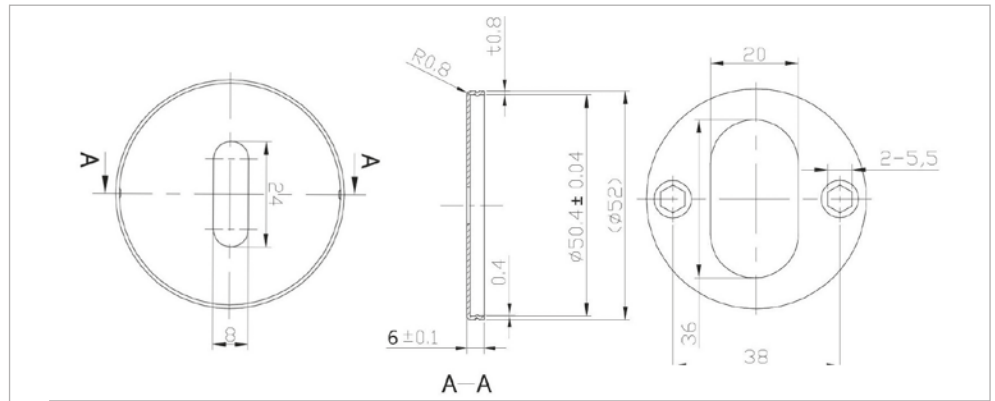
CR.BTHOV1049

P. 9



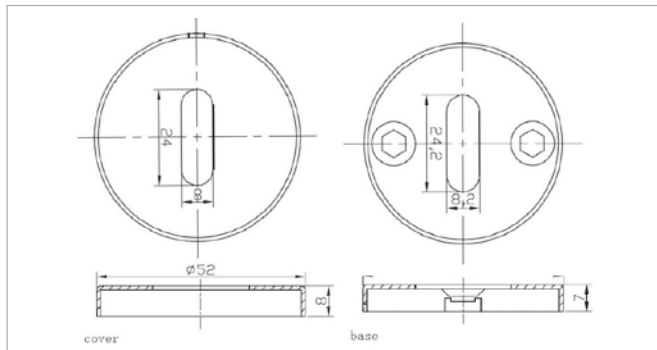
CR.BE3P/04

P. 10



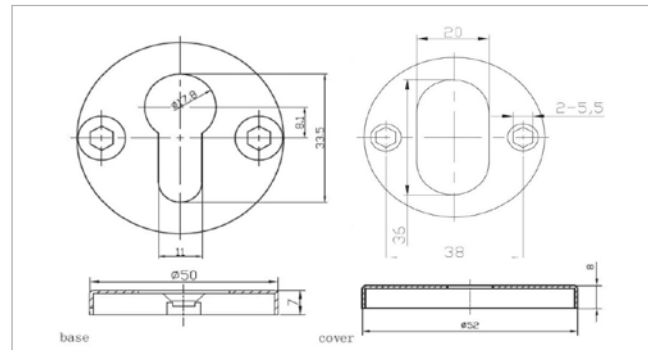
CR.BE3P/06

P. 10



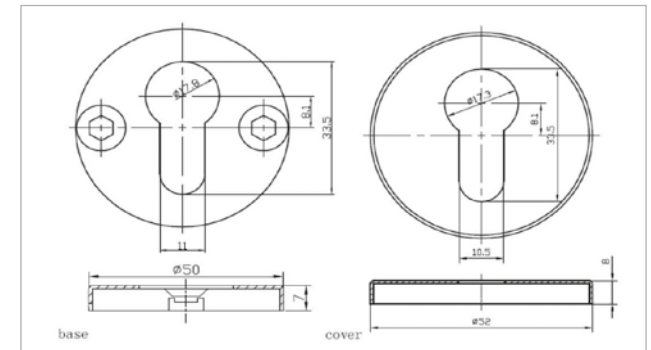
CR.BE3P

P. 10



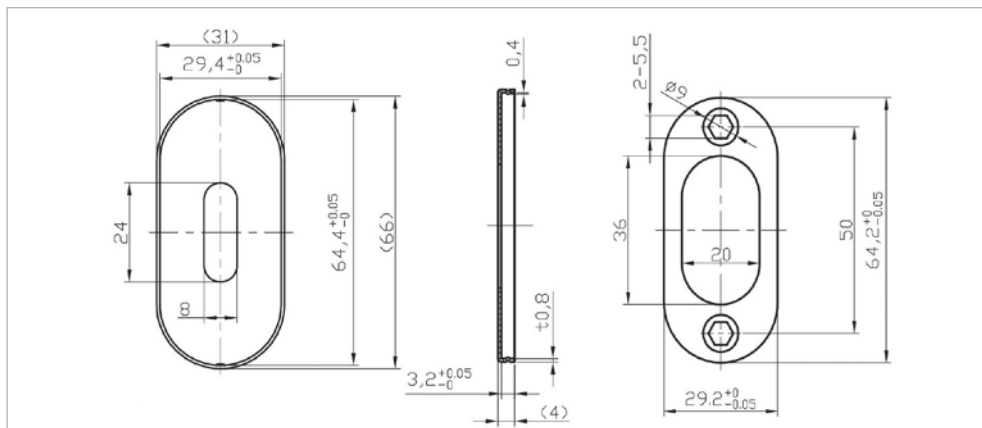
CR.BE1Y

P. 10



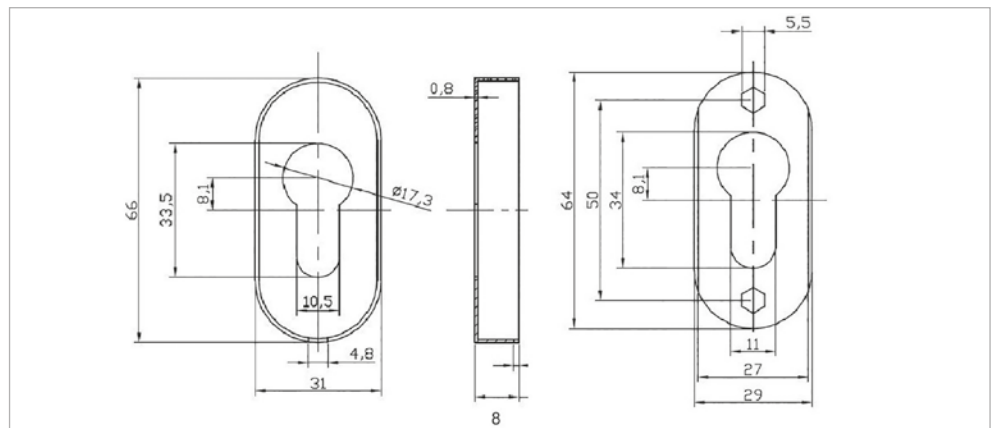
CR.BE1Y/08

P. 10



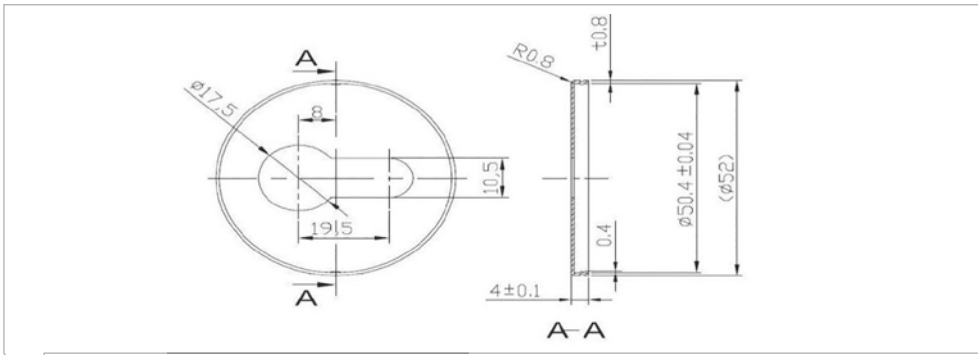
CR.BE3OVP/04

P. 10



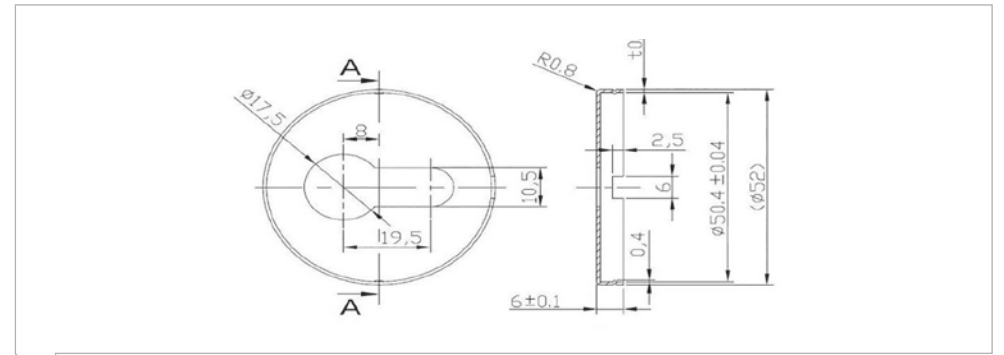
CR.BE1OVP

P. 10



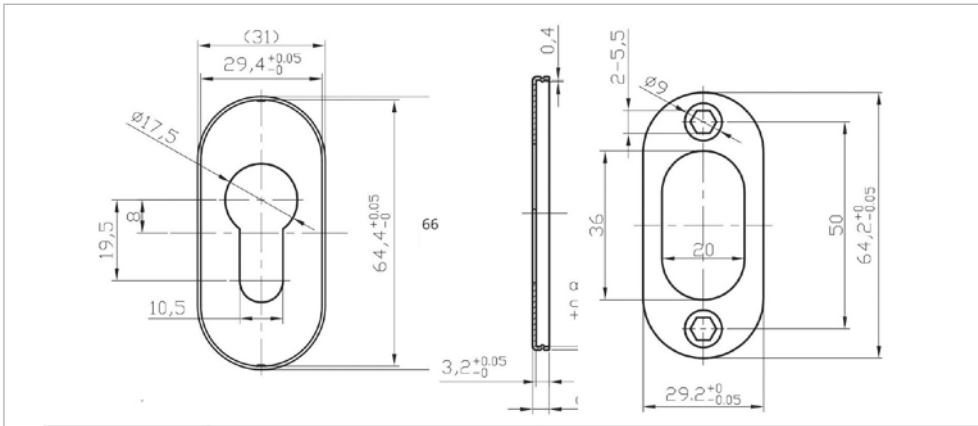
CR.BE1Y/04

P. 10



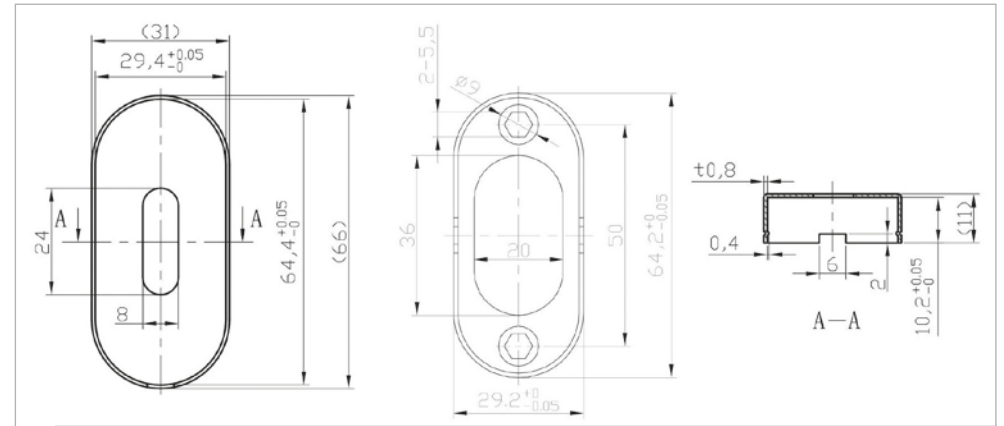
CR.BE1Y/06

P. 10



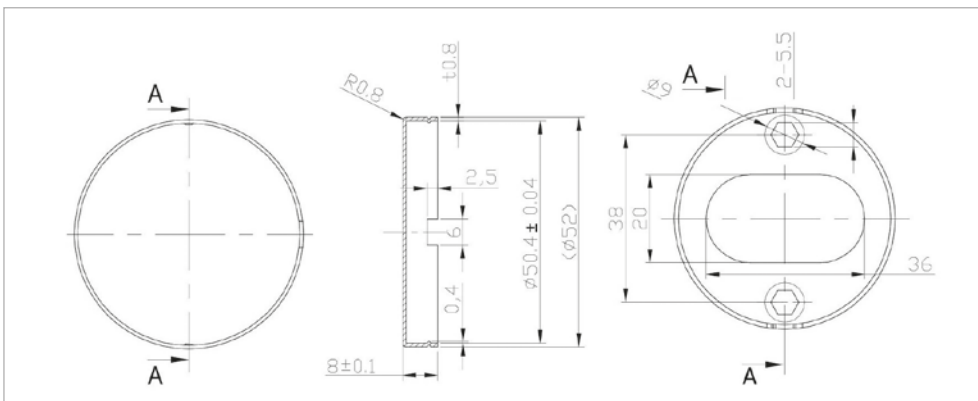
CR.BE1OVY/04

P. 10



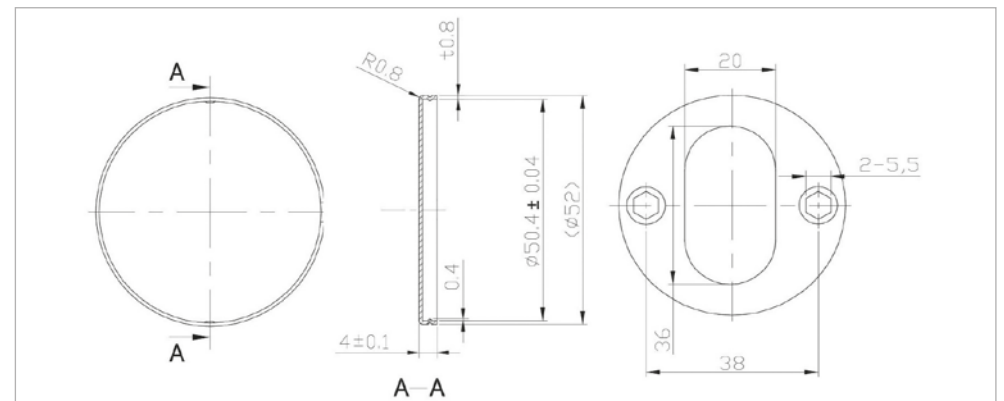
CR.BE30VP

P. 10



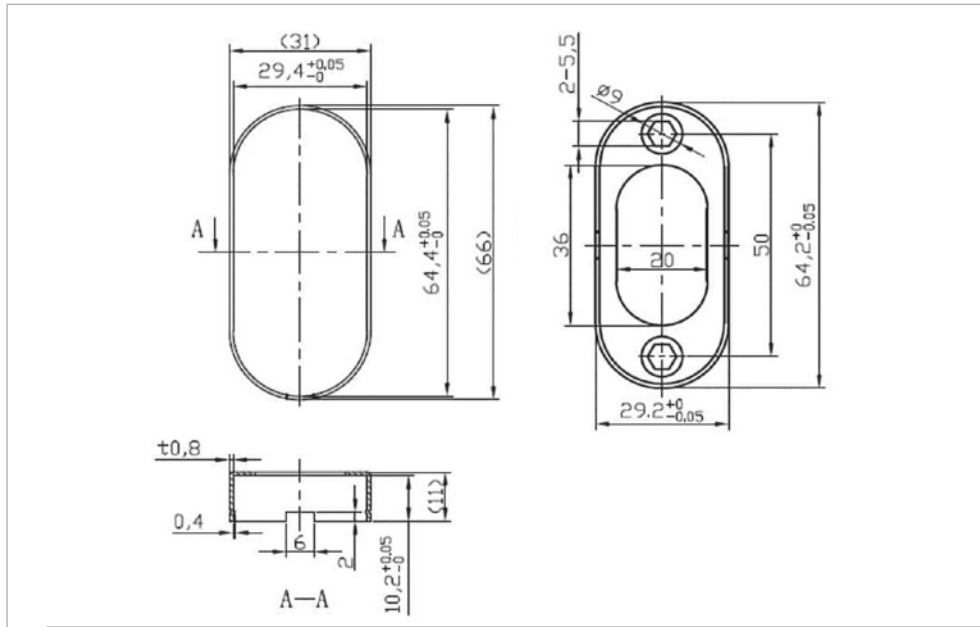
CR.BEBL

P. 10



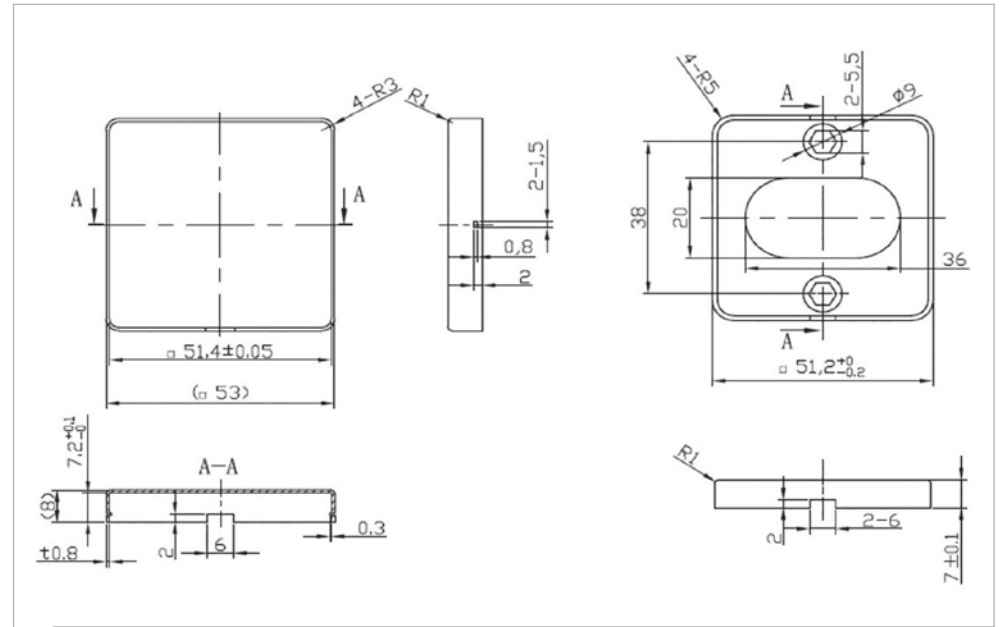
CR.BEBL/04

P. 10



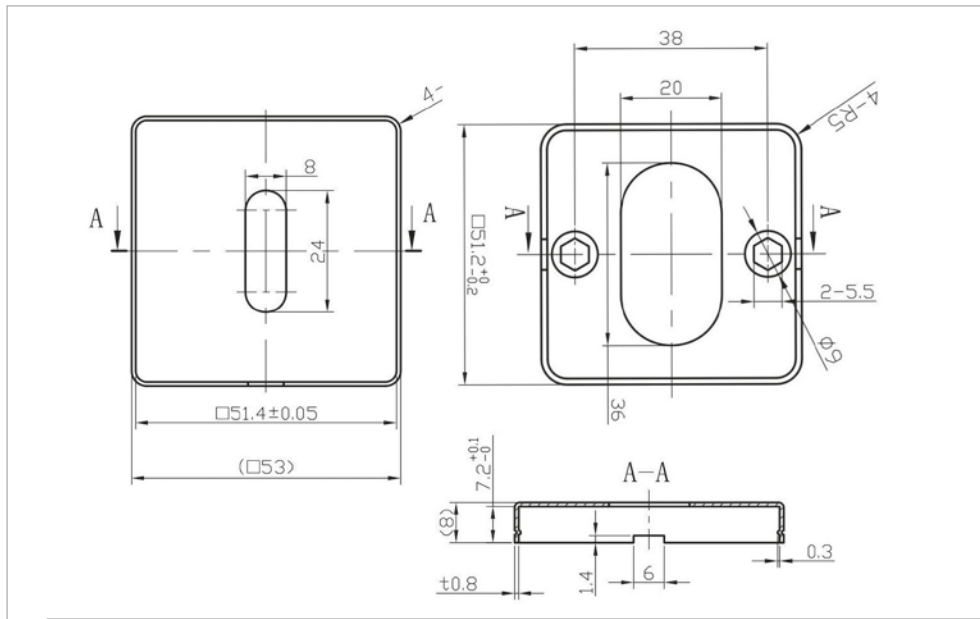
CR.BEOVBL

P. 10



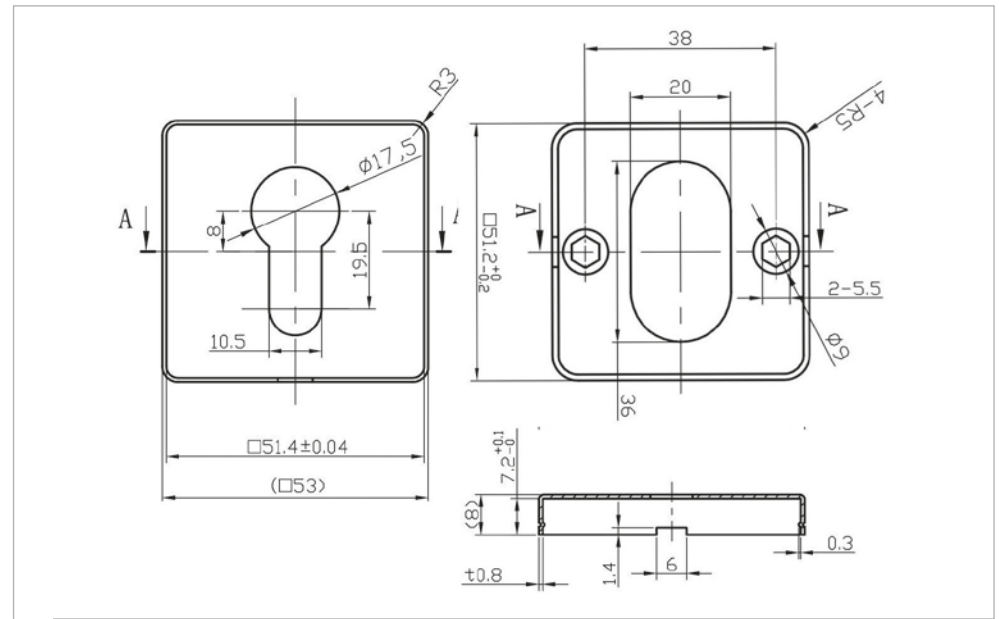
CR.BEBSLQ

P. 10



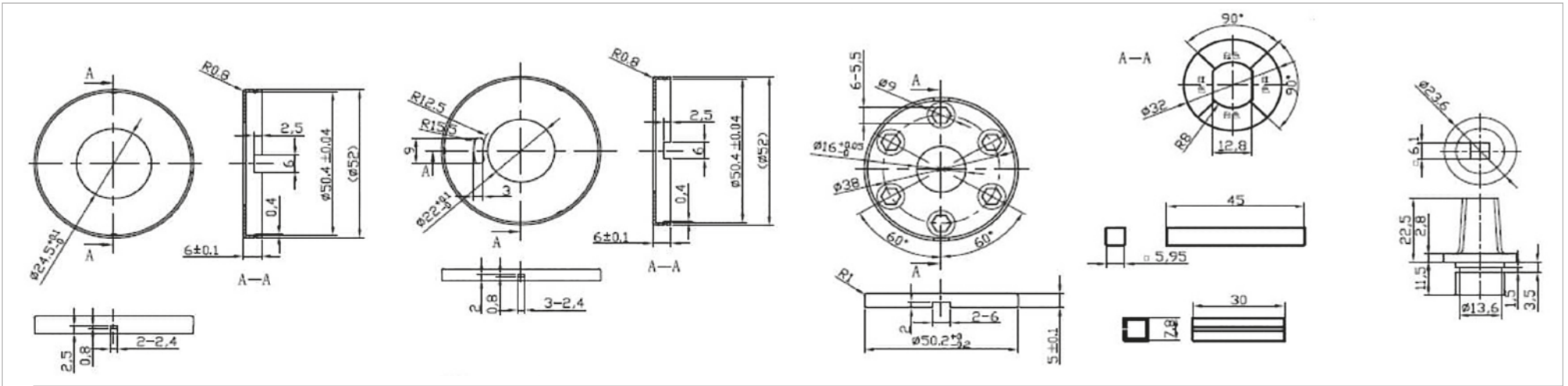
CR.BE3PSQ

P. 10



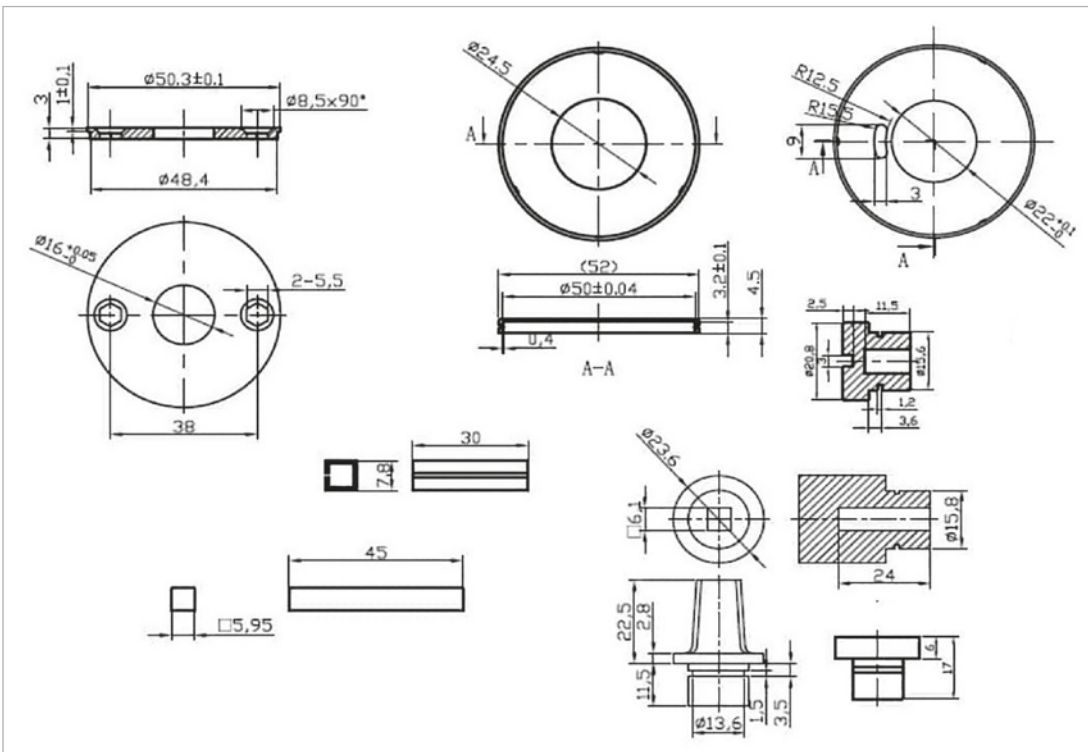
CR.BE1YSQ

P. 10



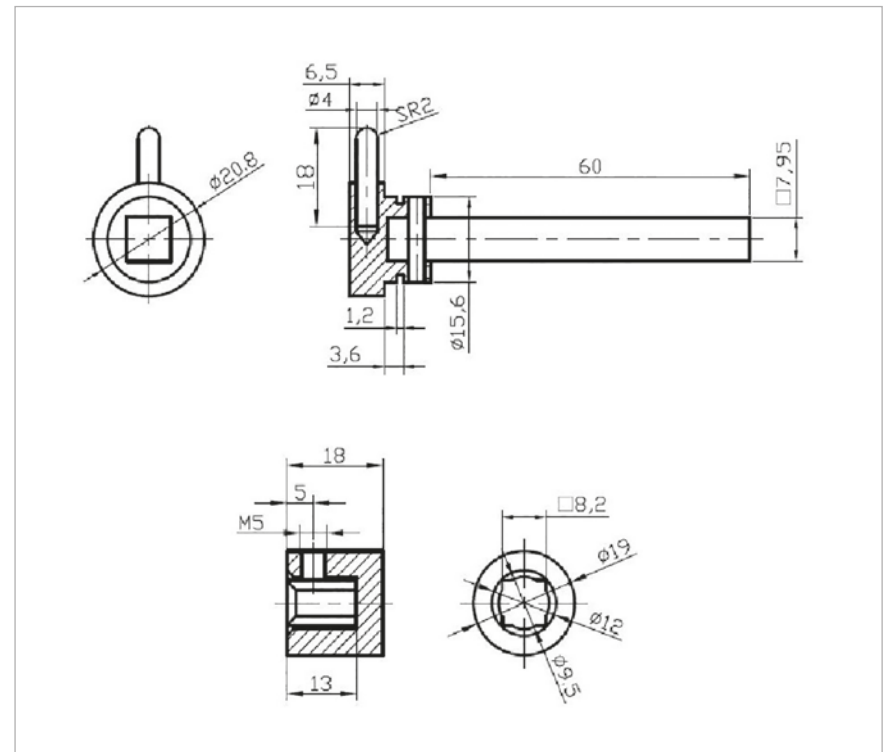
CR.BWCTTA/06

P. 11



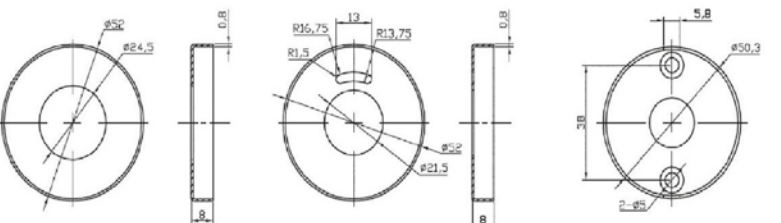
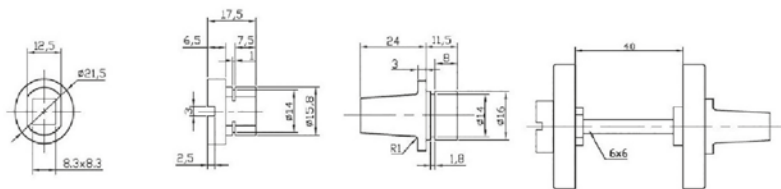
CR.BWCTTA/04.KNOB

P. 11

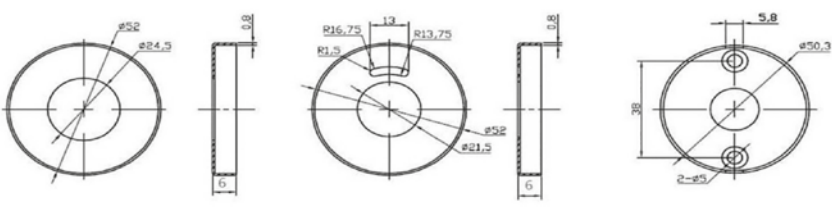
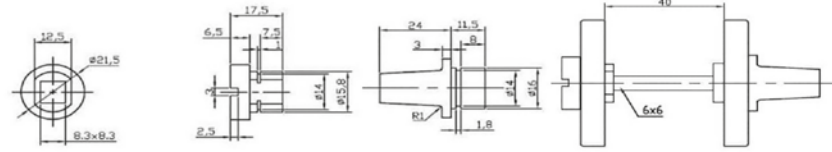


CR.BWC-I

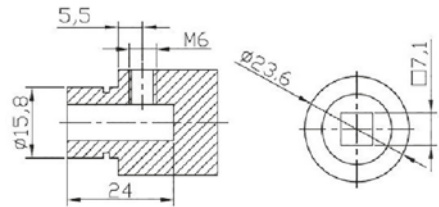
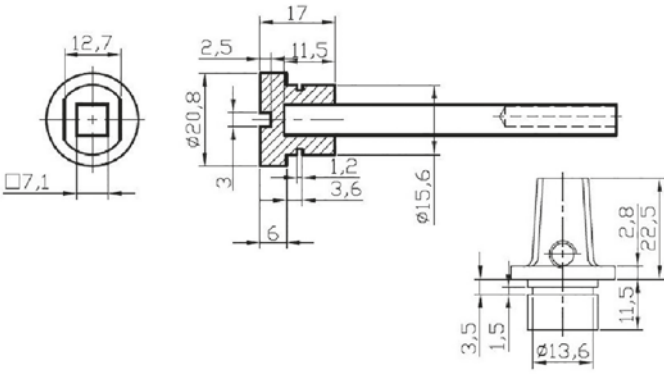
P. 11



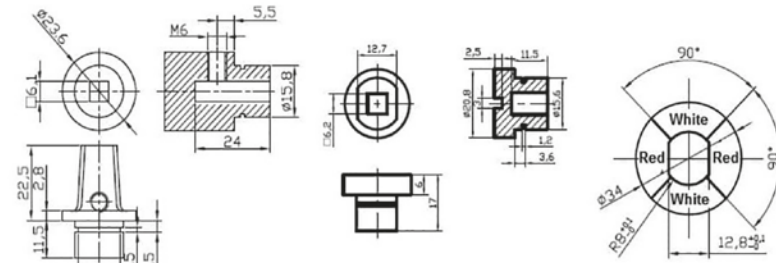
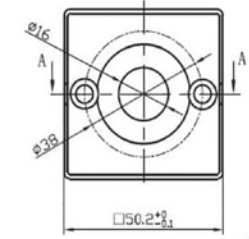
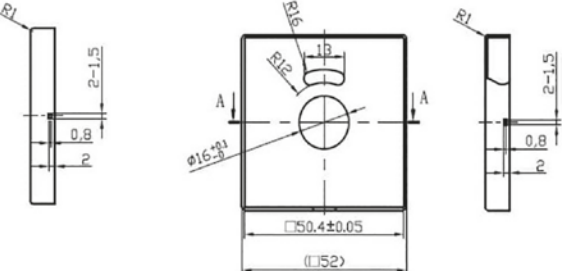
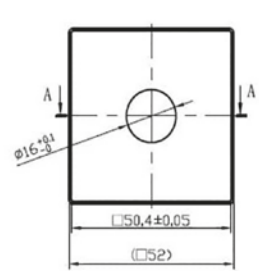
CR.BWCTTC



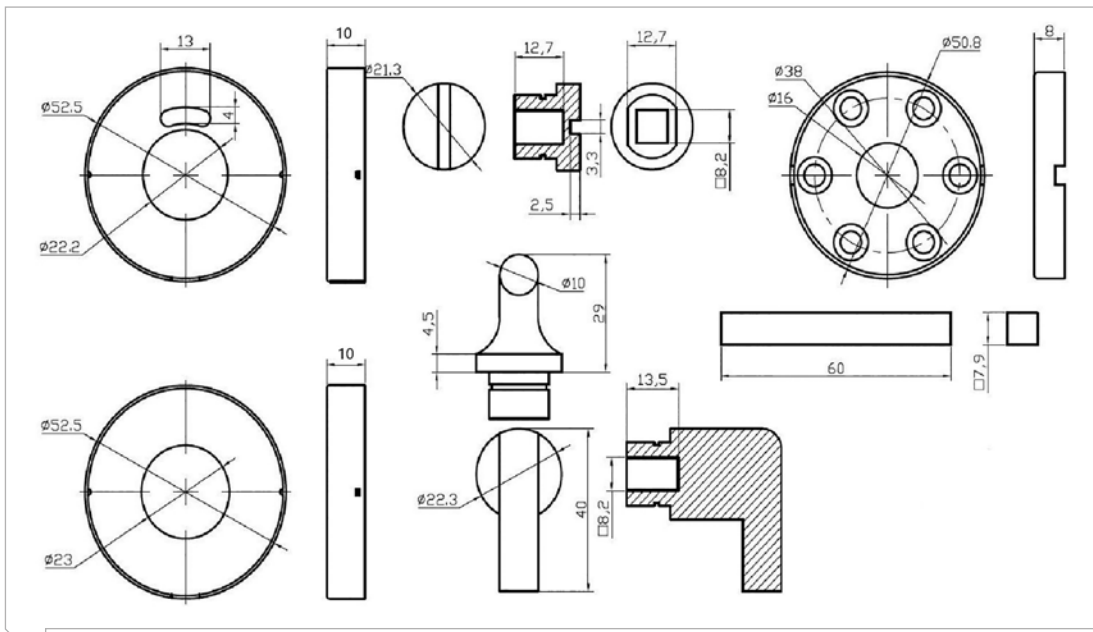
CR.BWCTTC/06



CR.BWC-R

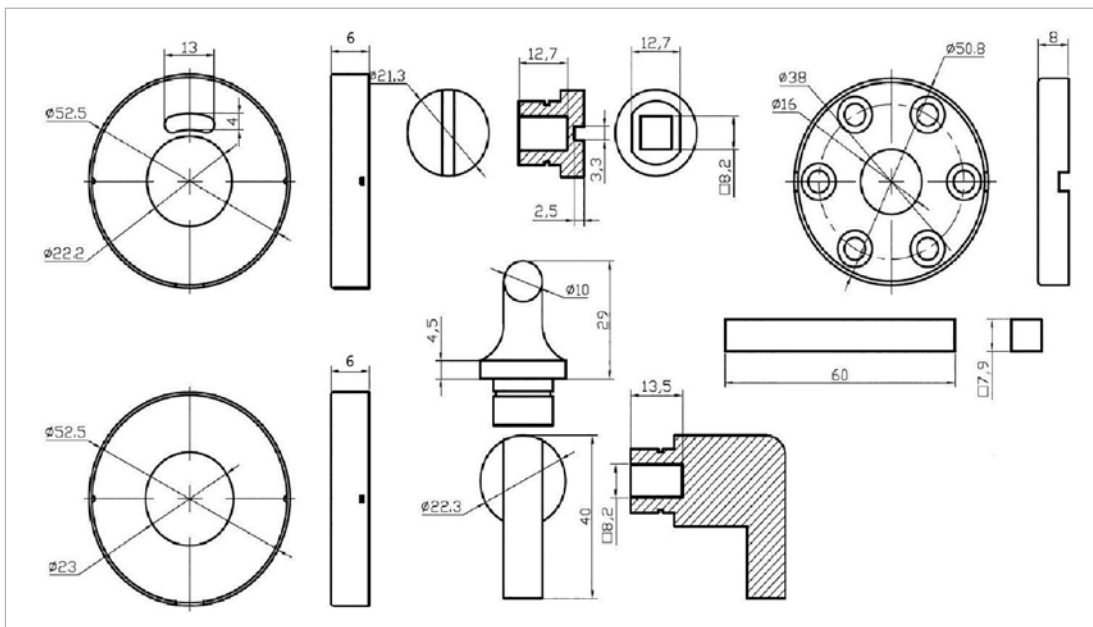


CR.BWCTTCsq



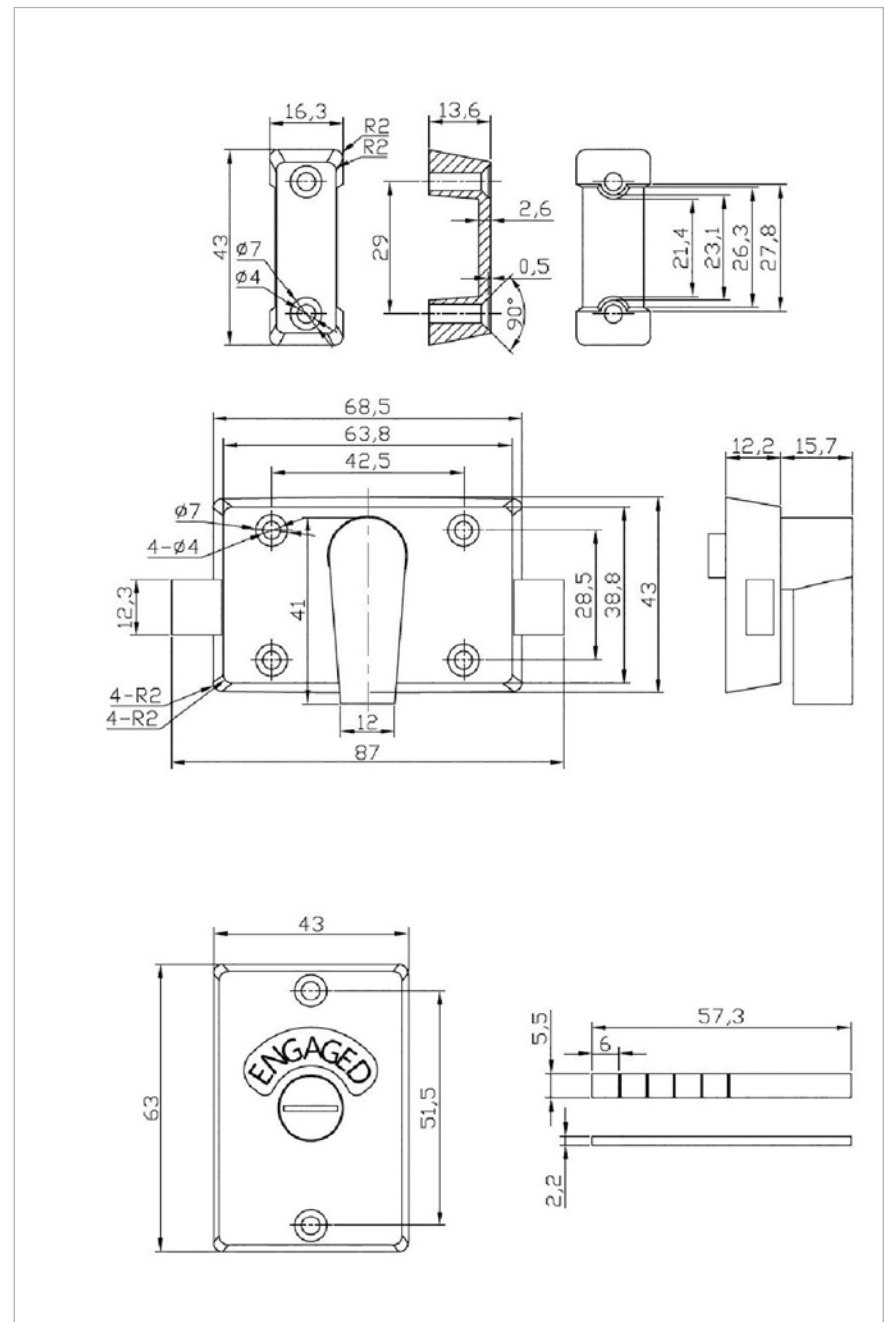
CR.BWC0154

P. 11



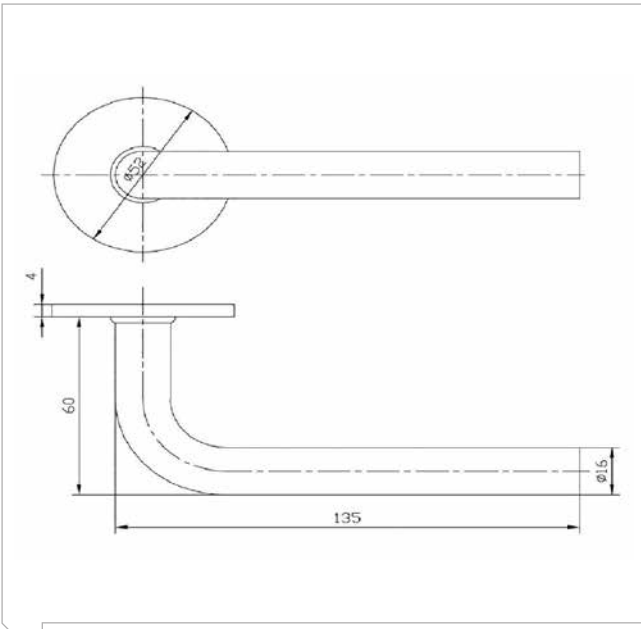
CR.BWC0154/06

P. 11



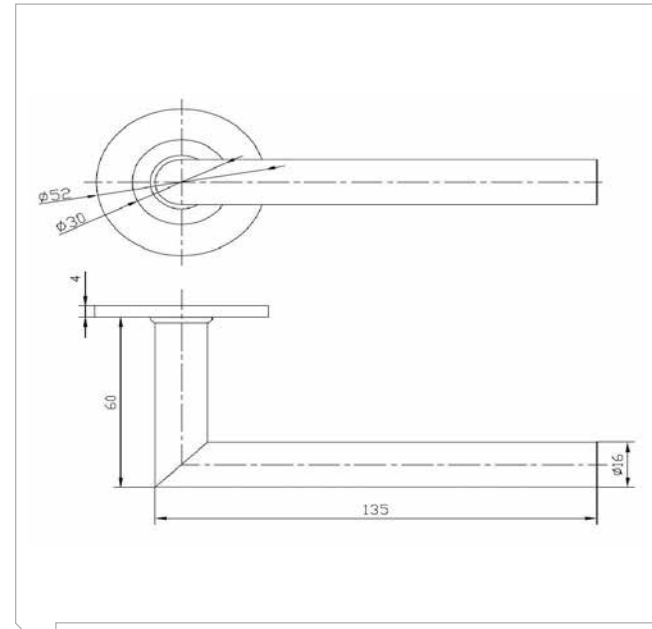
CR.BIB002

P. 11



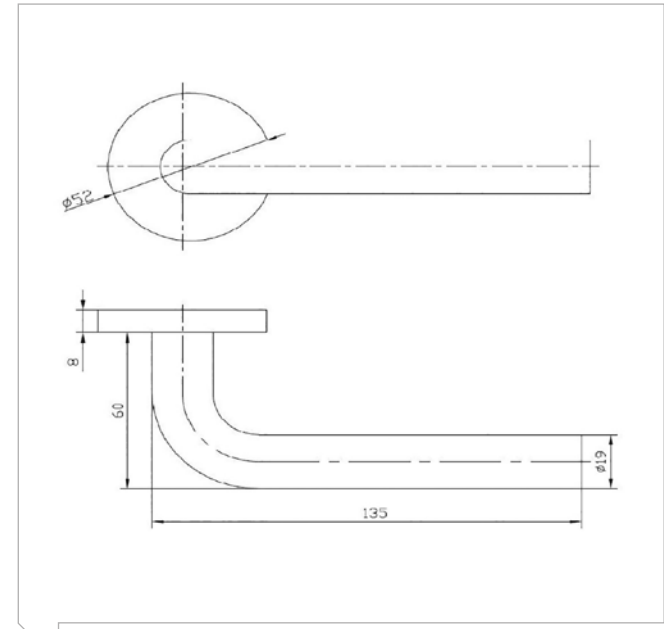
CR.BTH1026/04.80M

P. 12



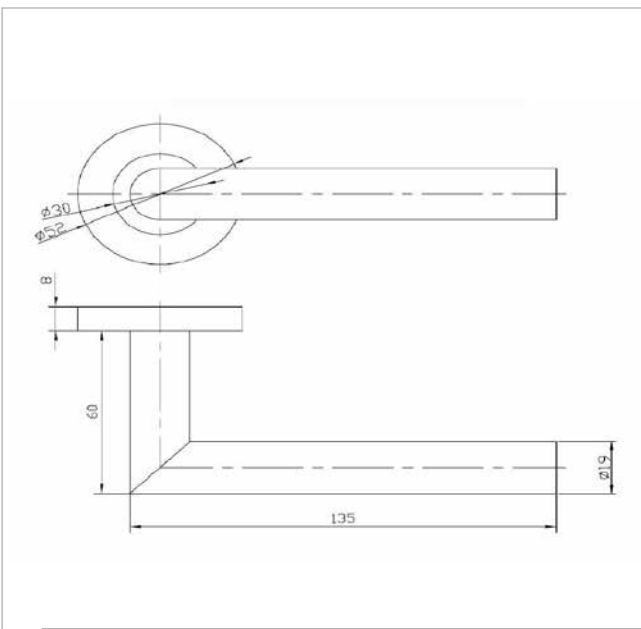
CR.BTH1046/04.80M

P. 12



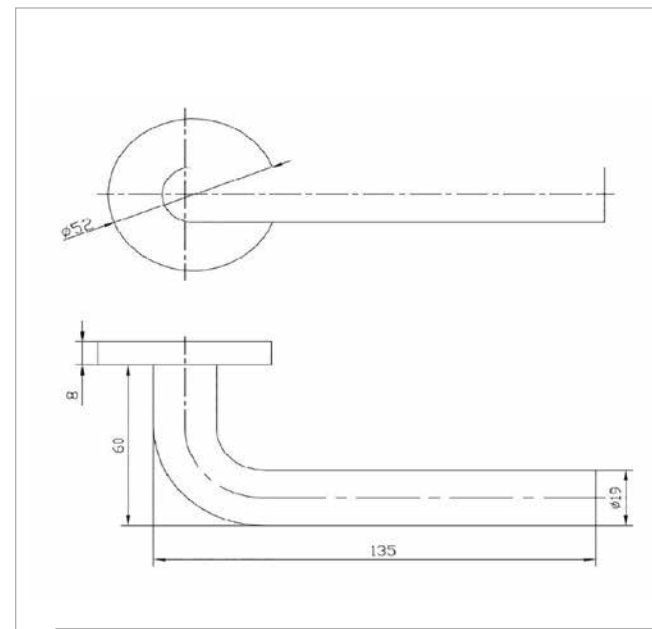
CR.BTH1029.80M

P. 12



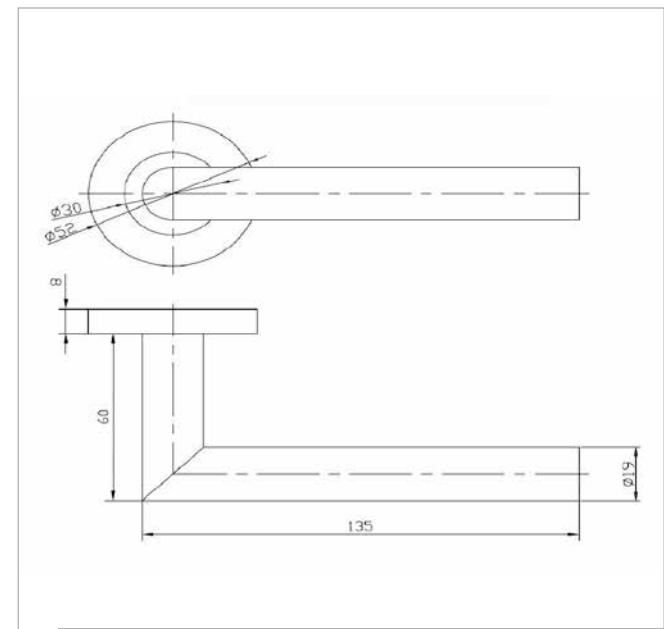
CR.BTH1049.80M

P. 12



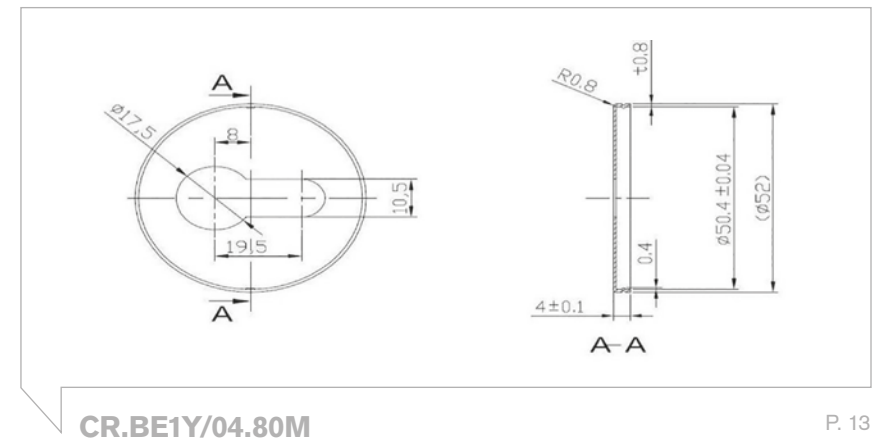
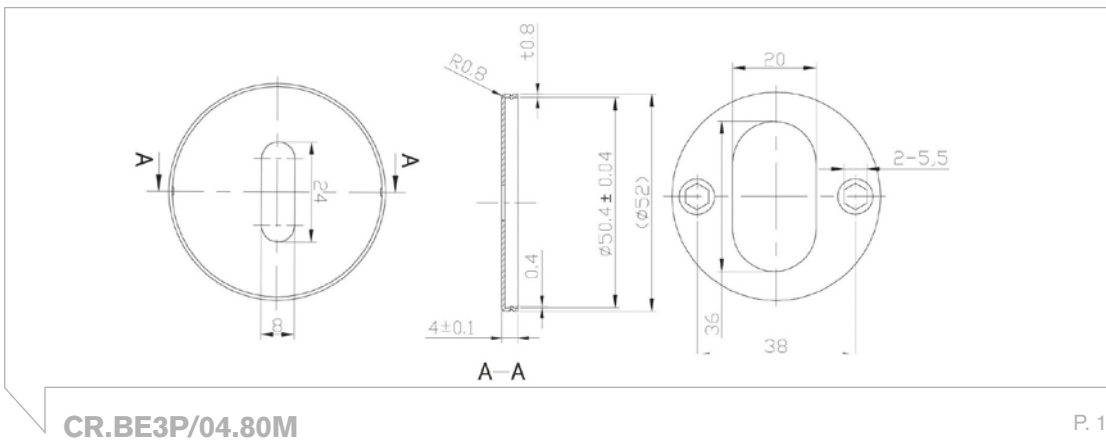
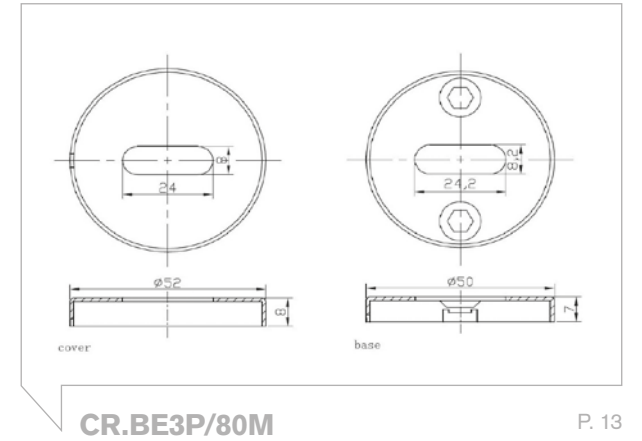
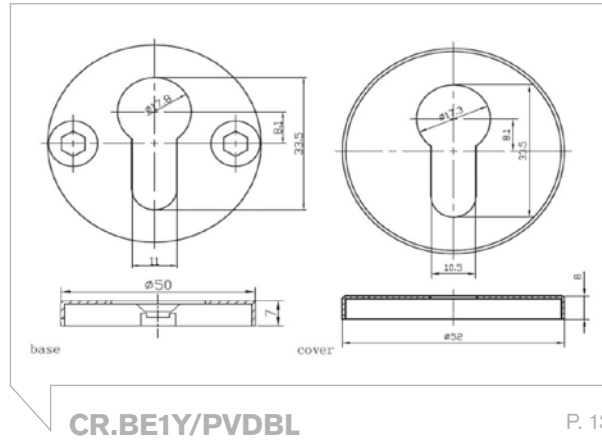
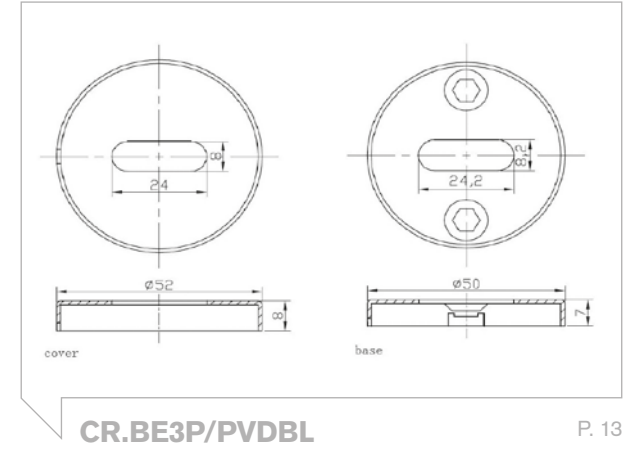
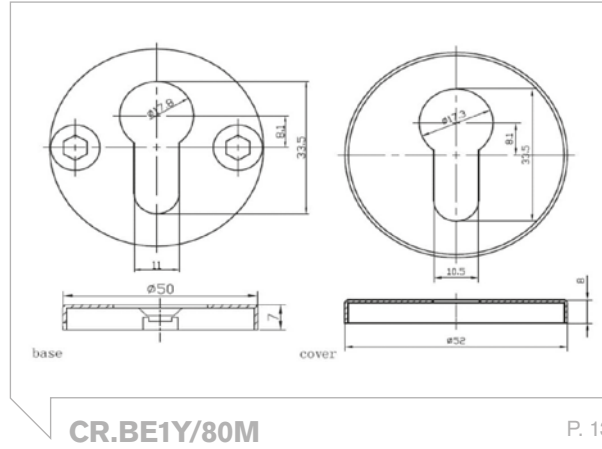
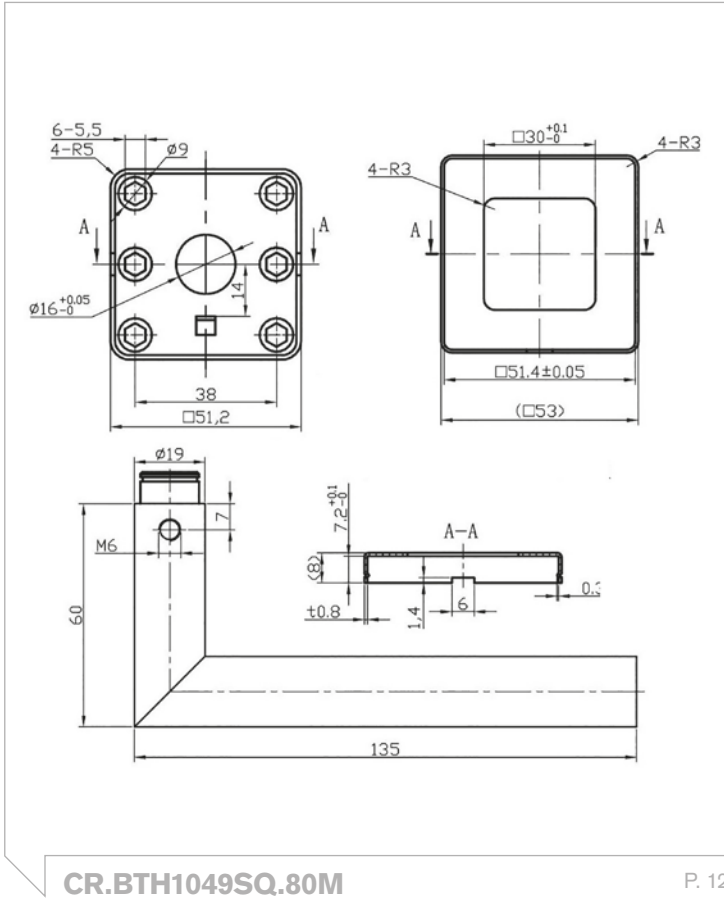
CR.BTH1029/PVDBL

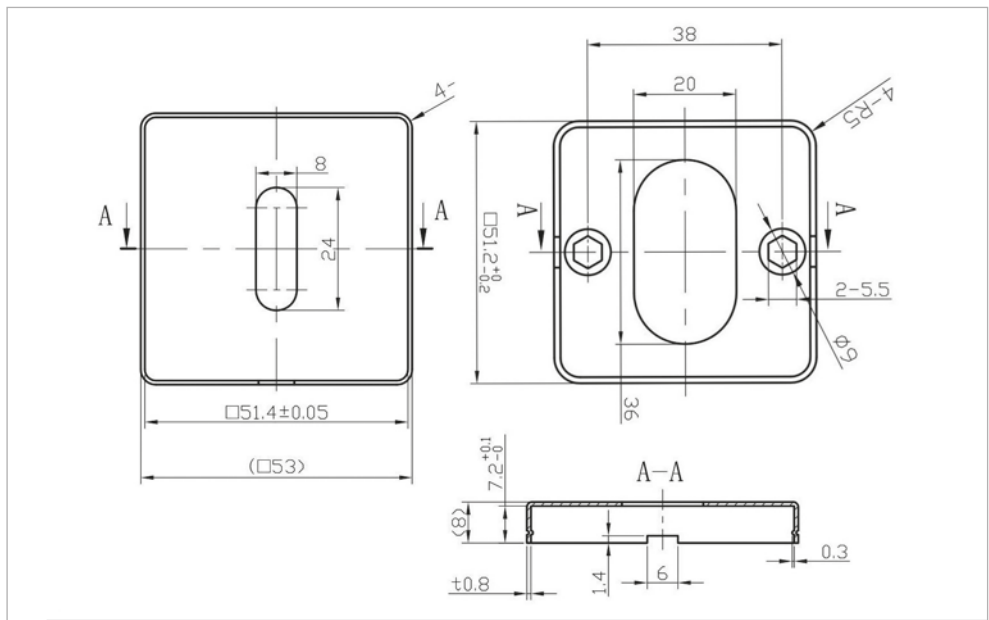
P. 12



CR.BTH1049/PVDBL

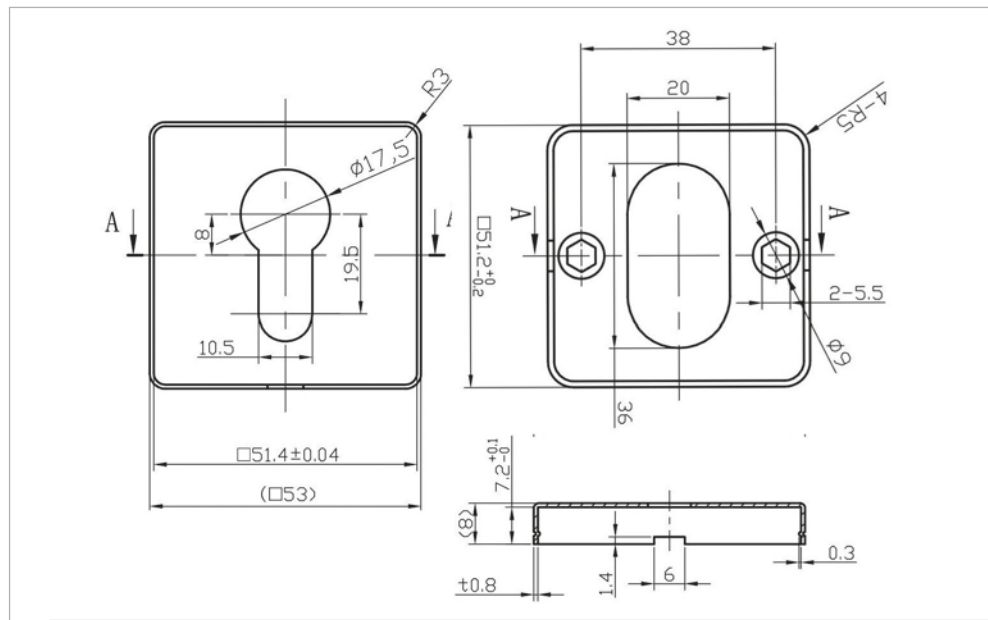
P. 12





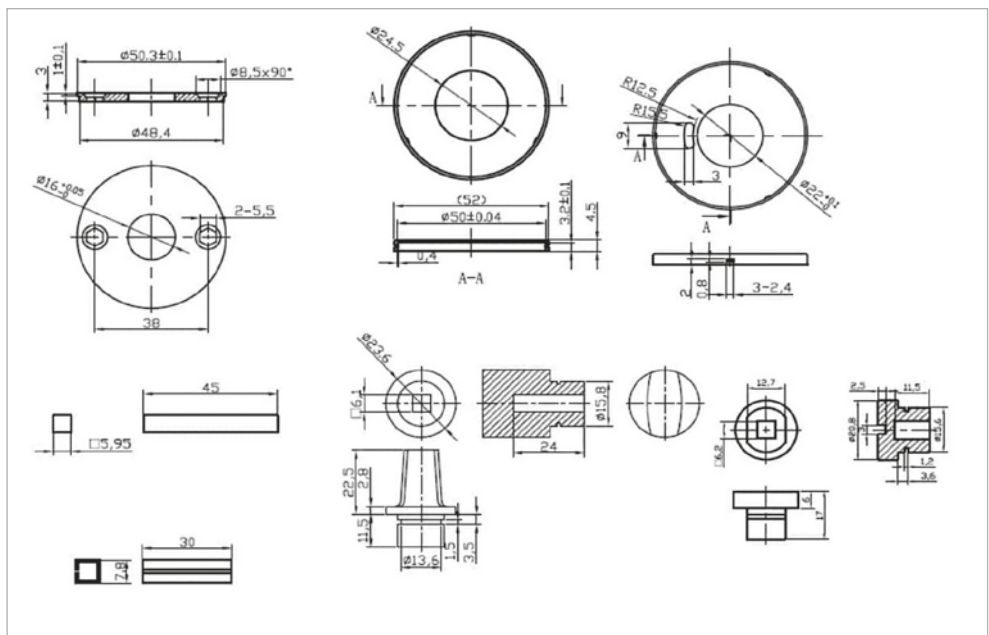
CR.BE3PSQ/80M

P. 13



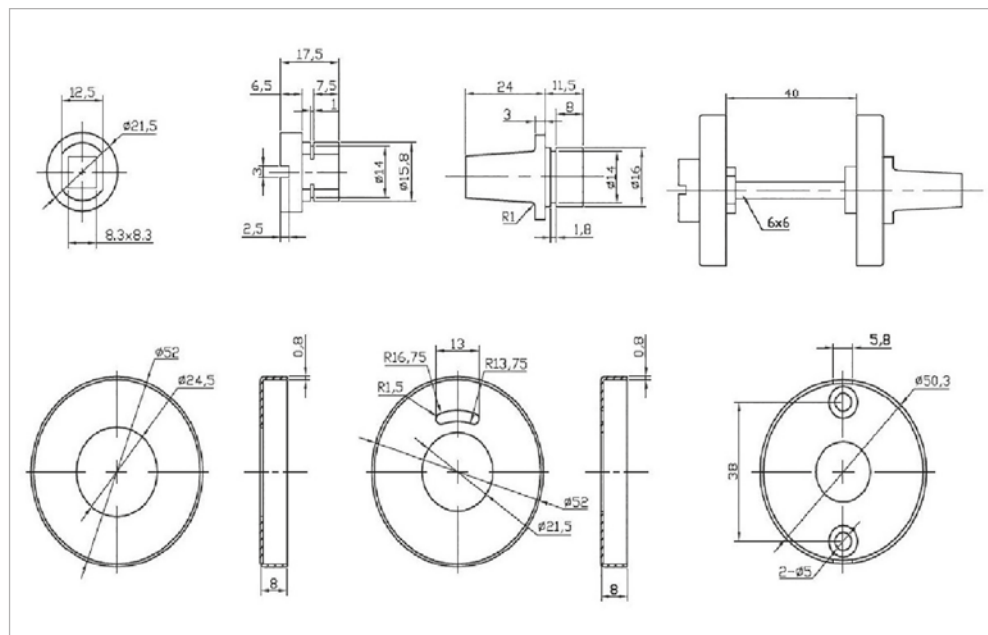
CR.BE1YSQ/80M

P. 13



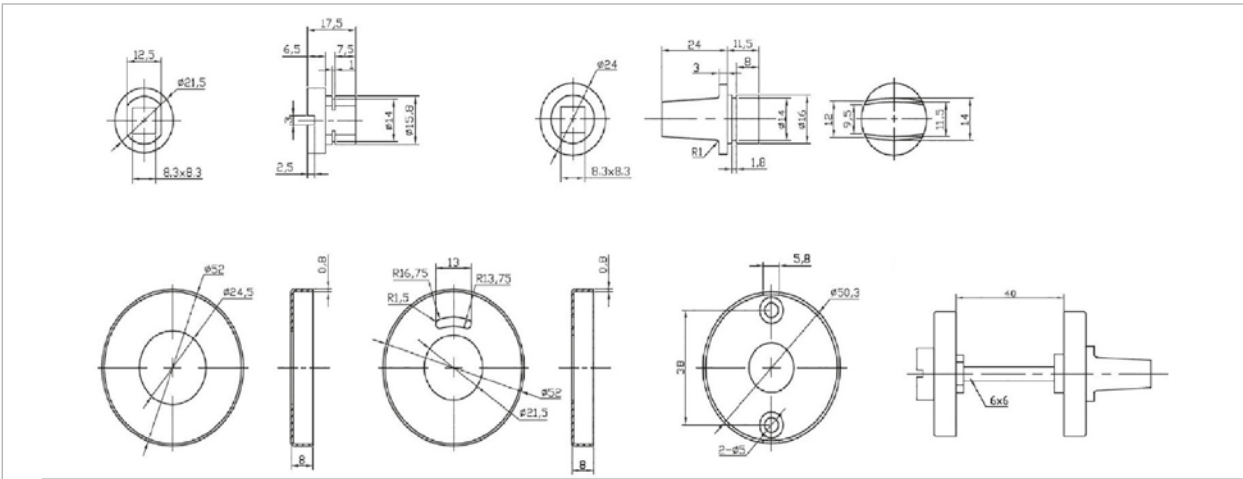
CR.BWCTTA/04.KNOP.80M

P. 14



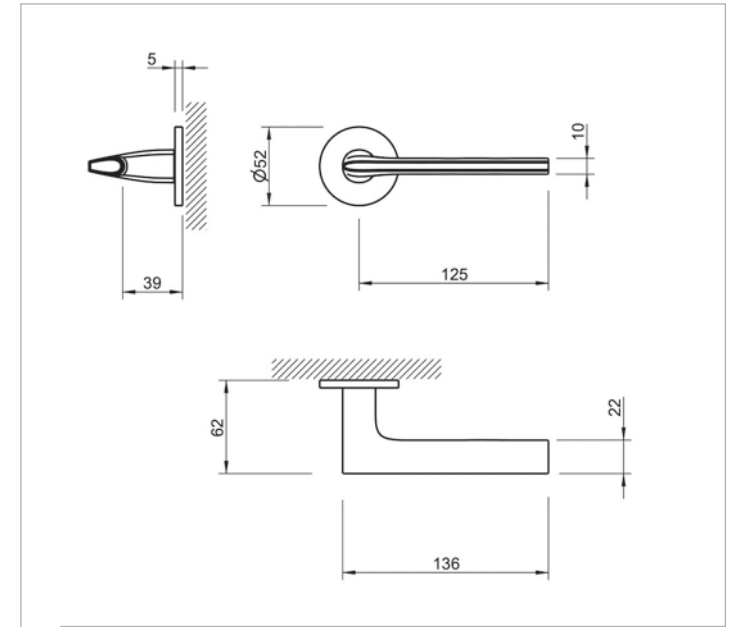
CR.BWCTTC/PVDBL

P. 14



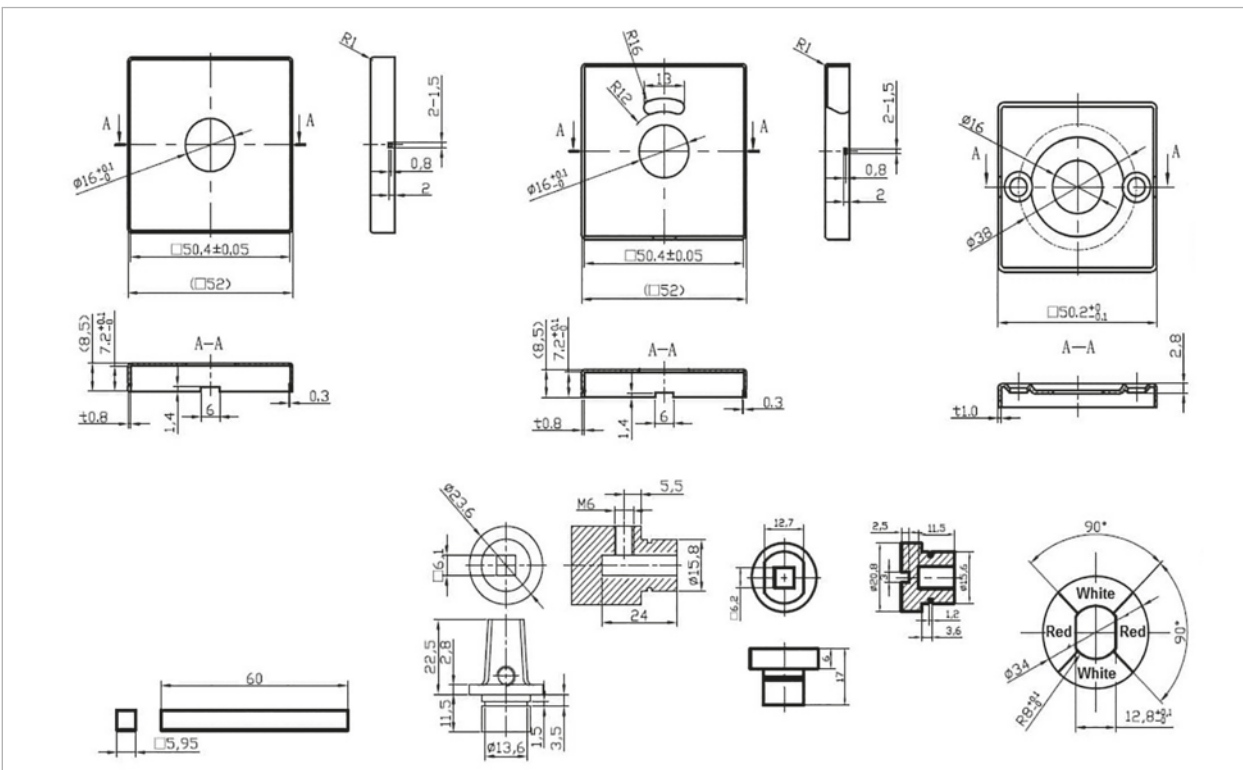
CR.BWCTTC.80M

P. 14



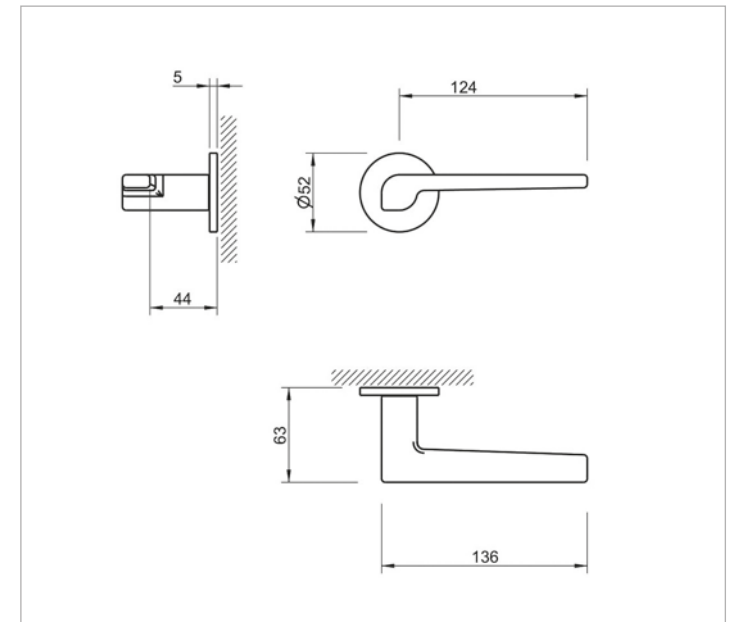
CR.3951.5S.80

P. 15



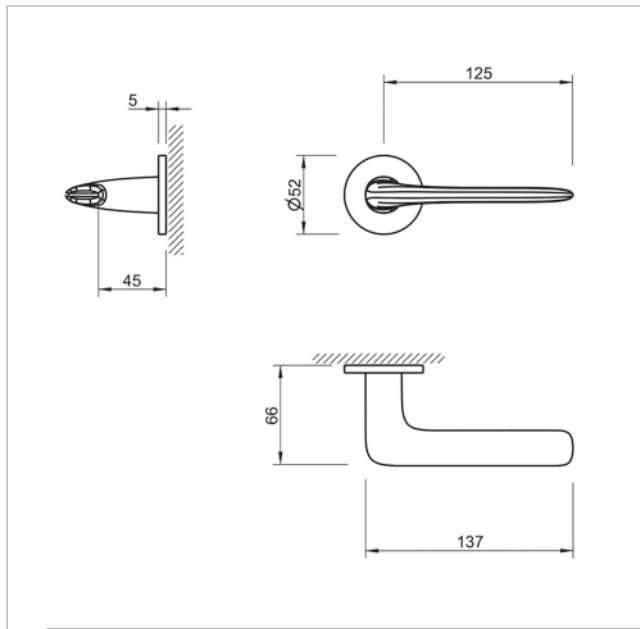
CR.BWCTTCSQ/80M

P. 14



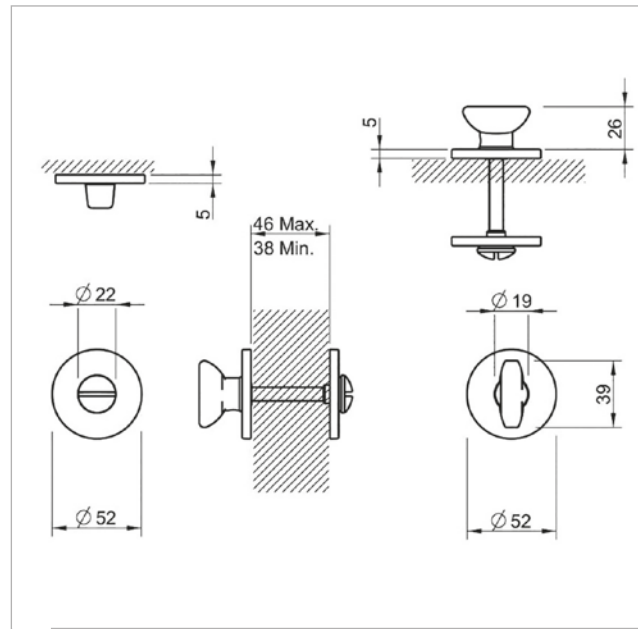
CR.3955.5S.80

P. 15



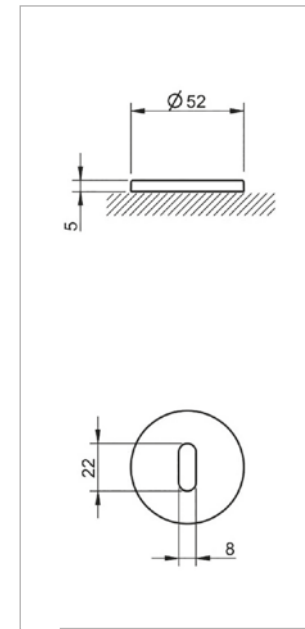
CR.3953.5S.80

P. 15

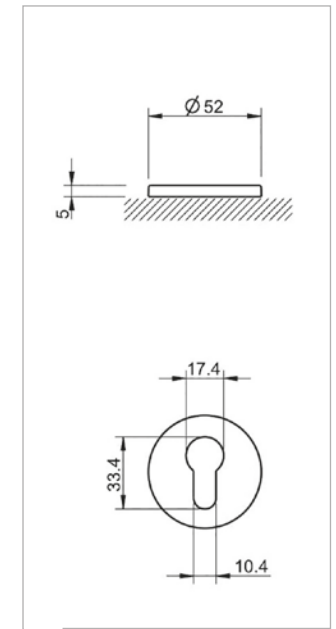


CR.4041.5S.80

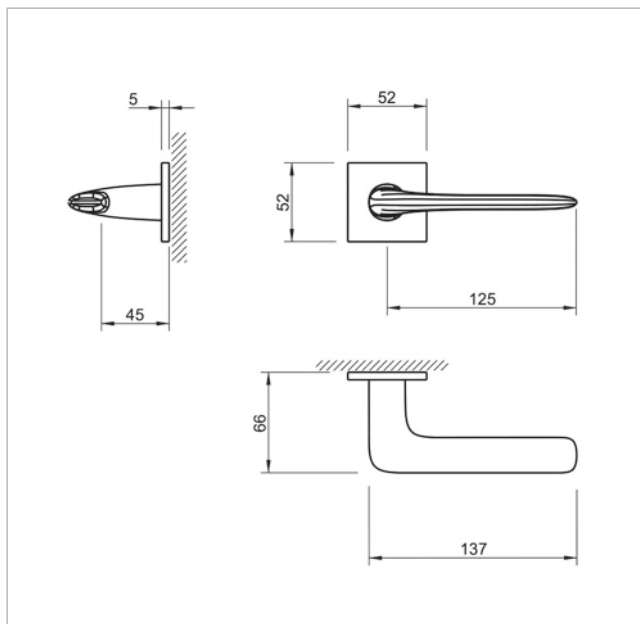
P. 15



CR.4045.5S.80 P. 15

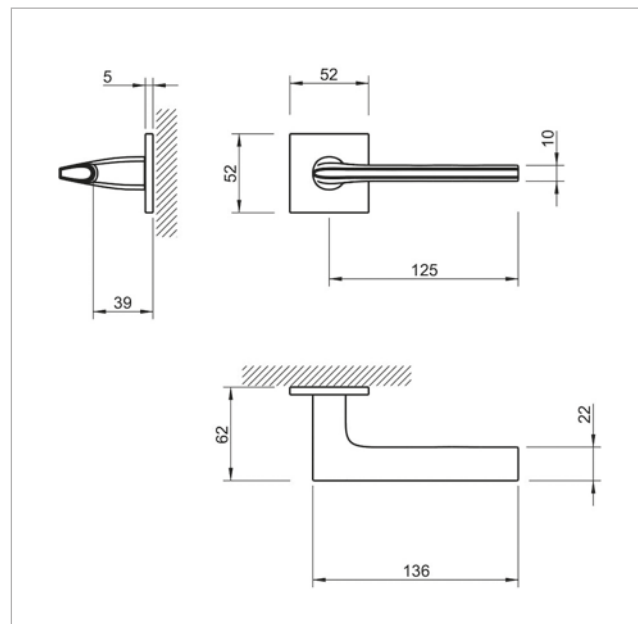


CR.4046.5S.80 P. 15



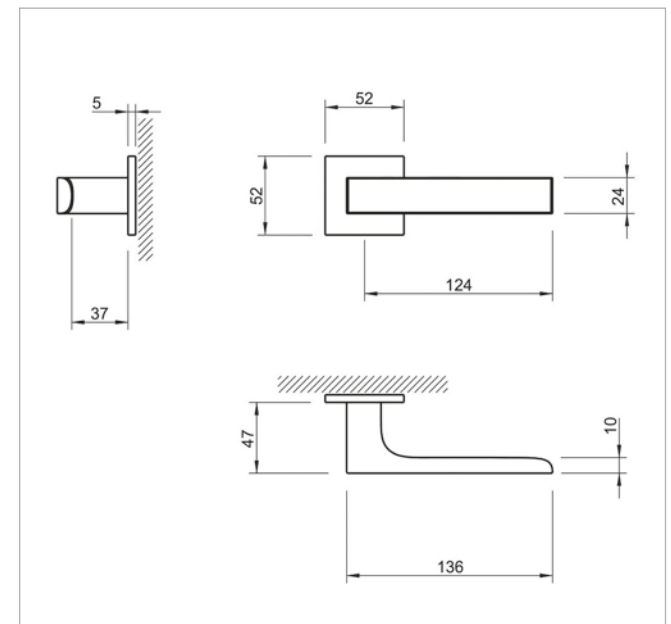
CR.3953.5SQ.80

P. 16



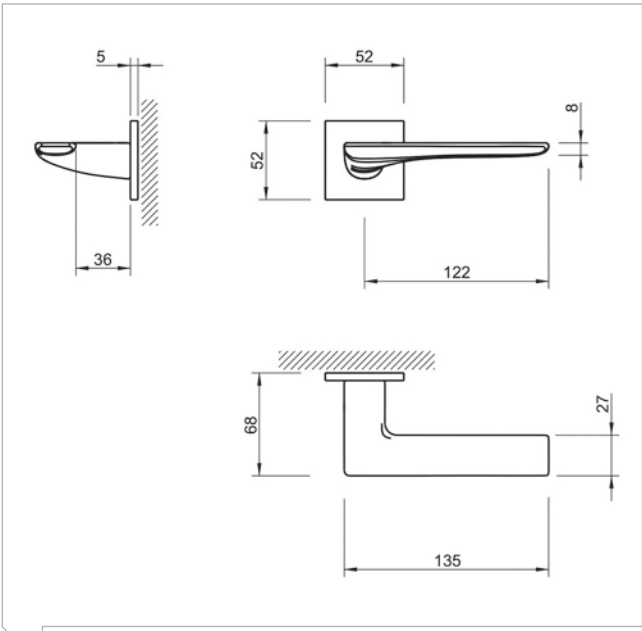
CR.3951.5SQ.80

P. 16



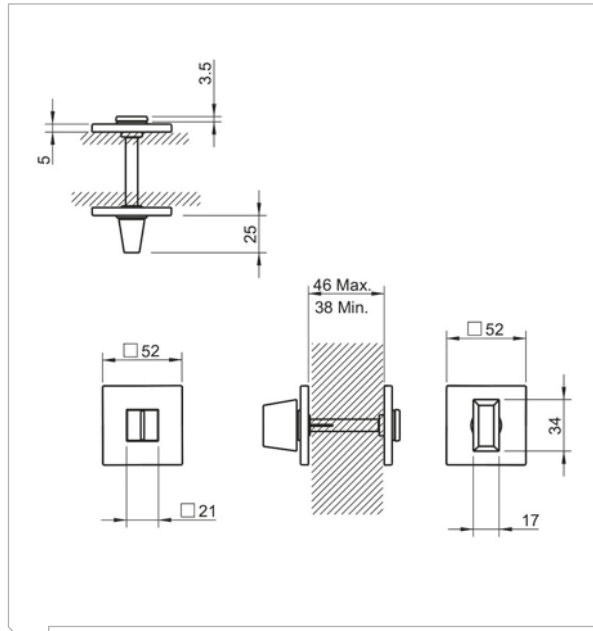
CR.3953.5SQ.80

P. 16



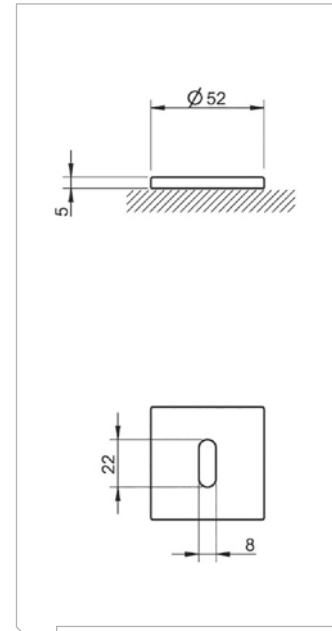
CR.3952.5SQ.80

P. 16



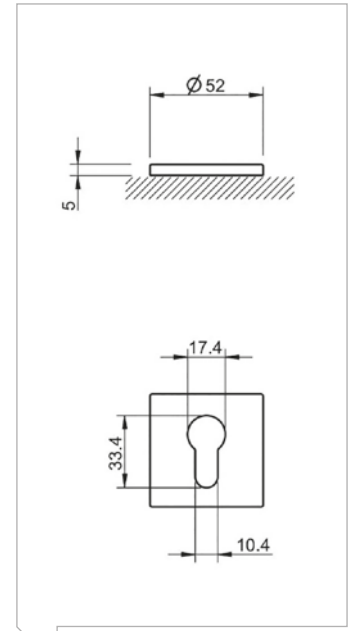
CR.4040.5SQ.80

P. 16



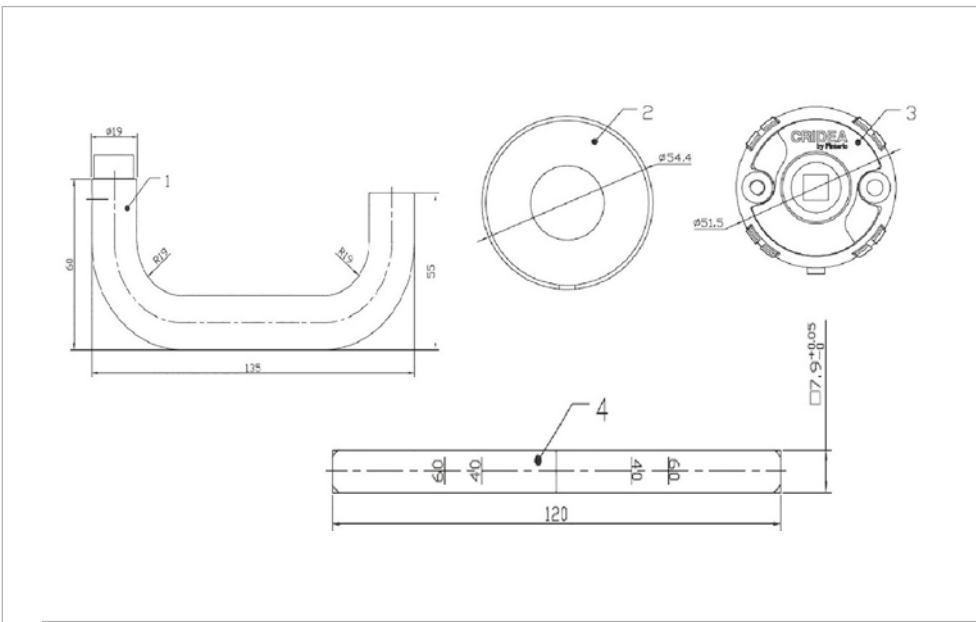
CR.4048.5SQ.80

P. 16



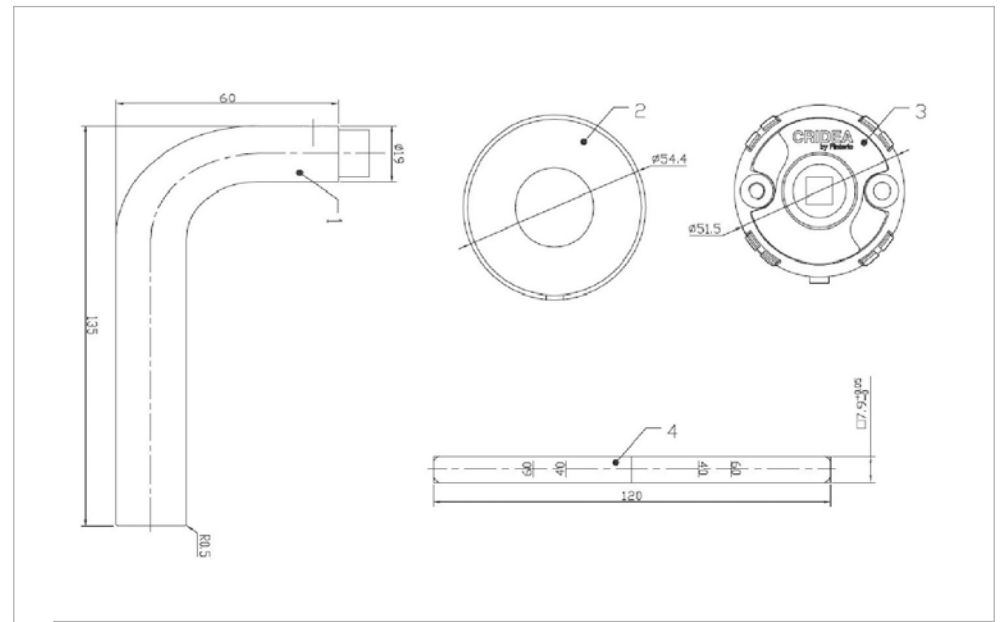
CR.4049.5SQ.80

P. 16



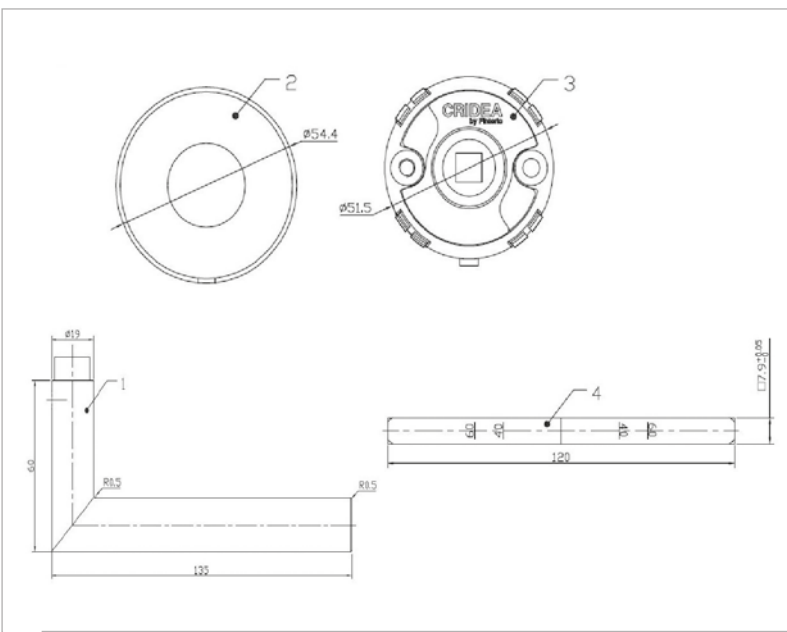
CR.BTH3019

P. 17



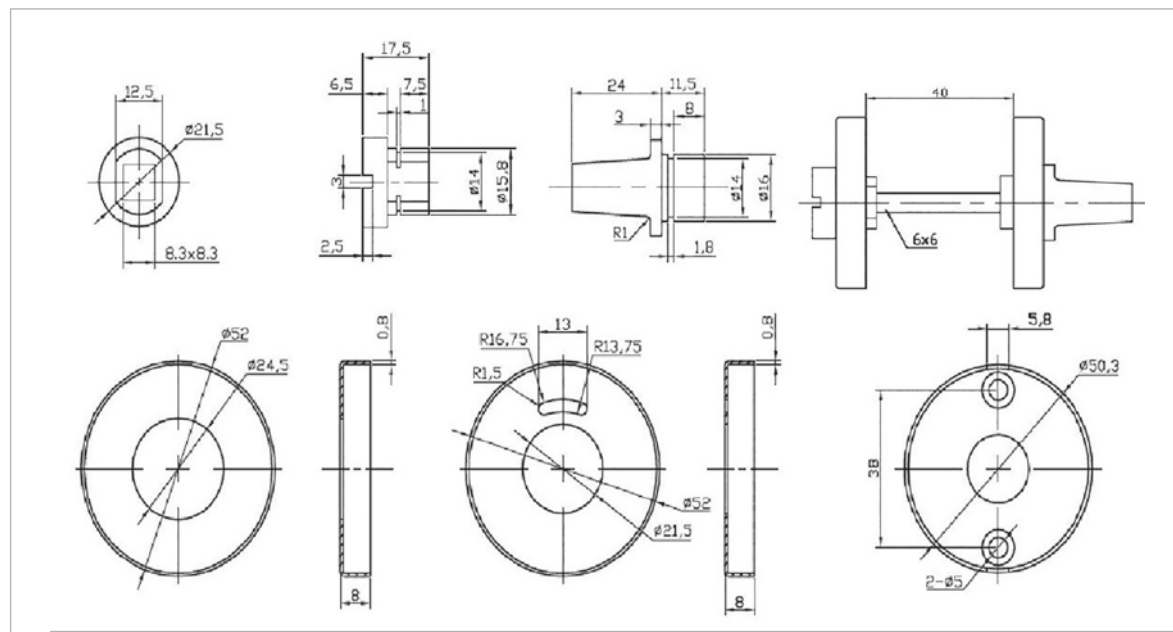
CR.BTH3029

P. 17



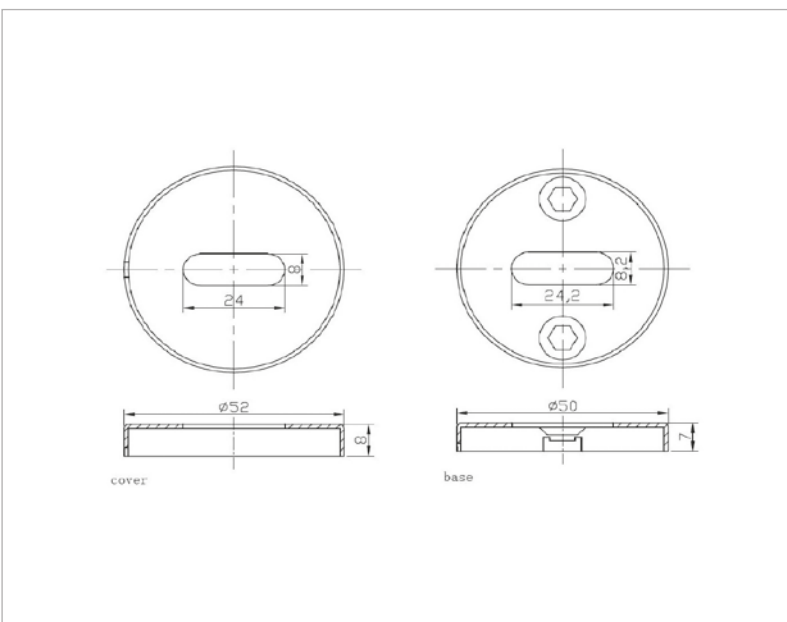
CR.BTH3049

P. 17



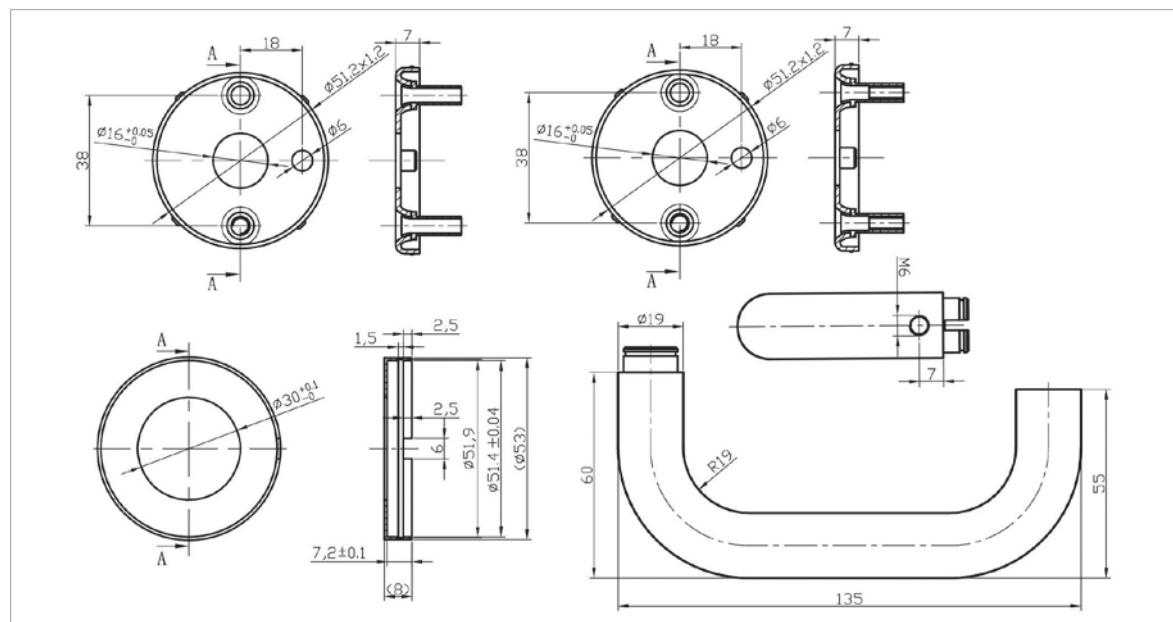
CR.BWCTTC

P. 17



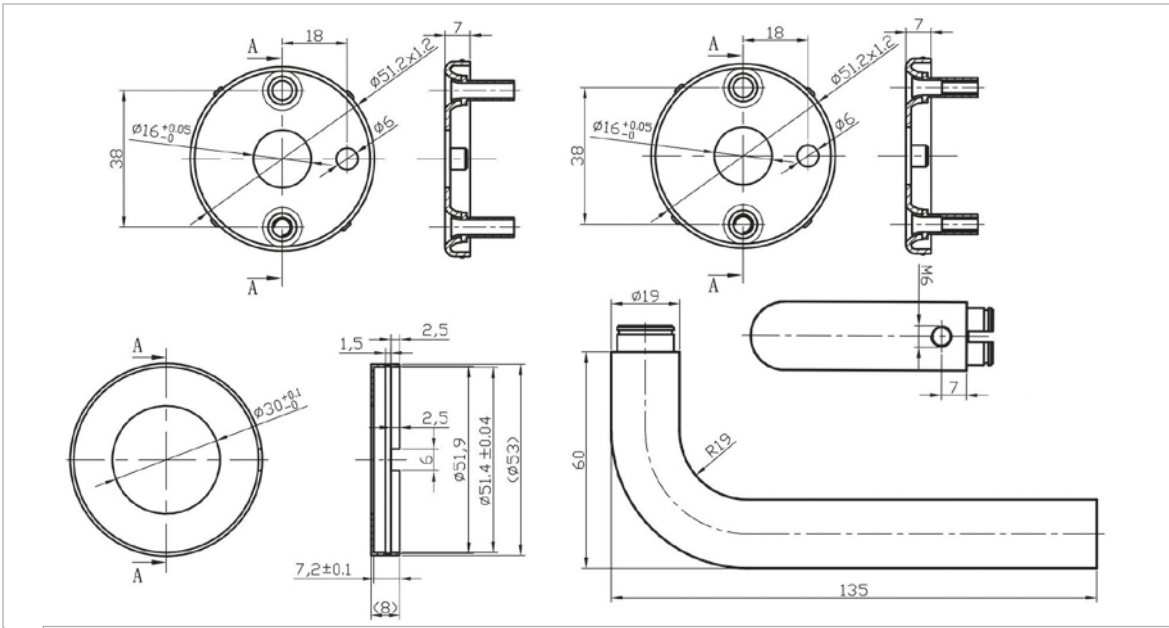
CR.BE3P

P. 17



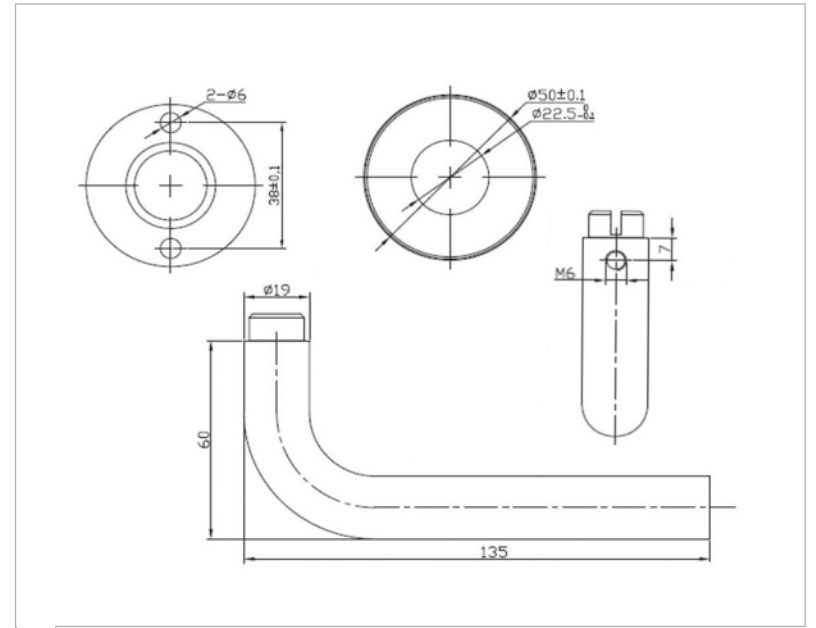
CR.BTH4019

P. 18



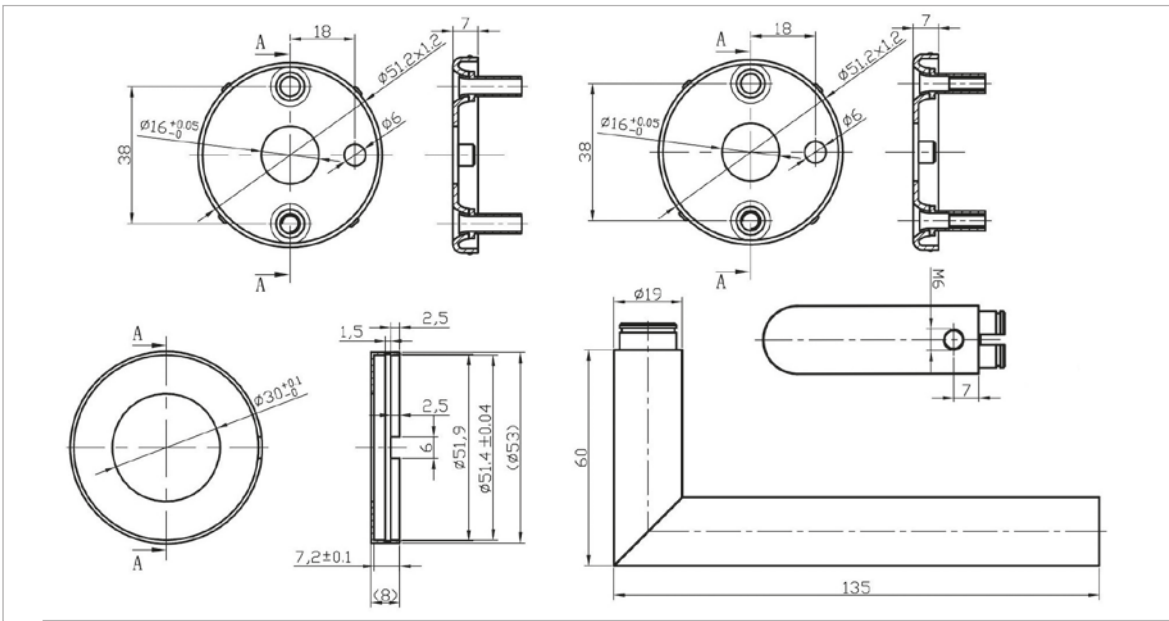
CR.BTH4029

P. 18



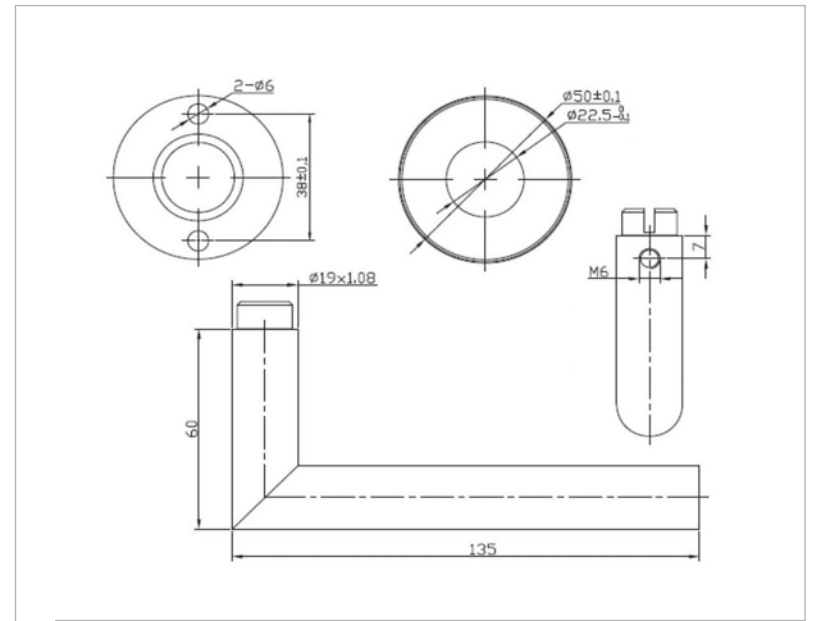
CR.BTH4029BB/FR

P. 18



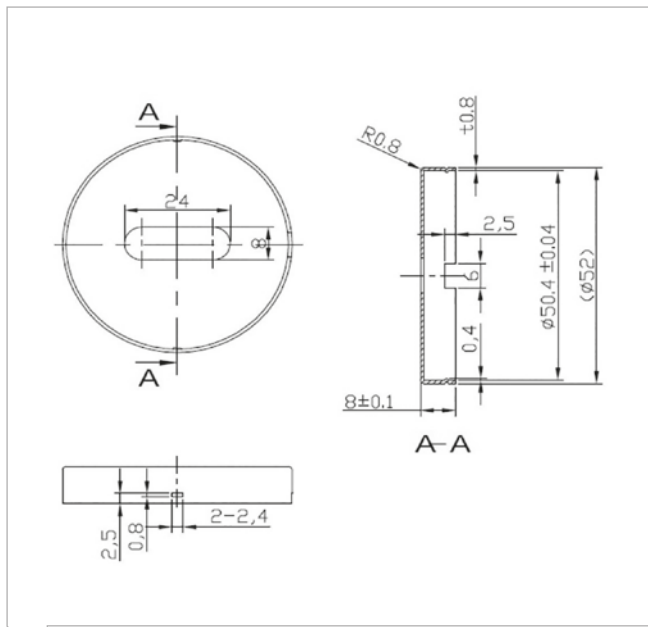
CR.BTH4049

P. 18



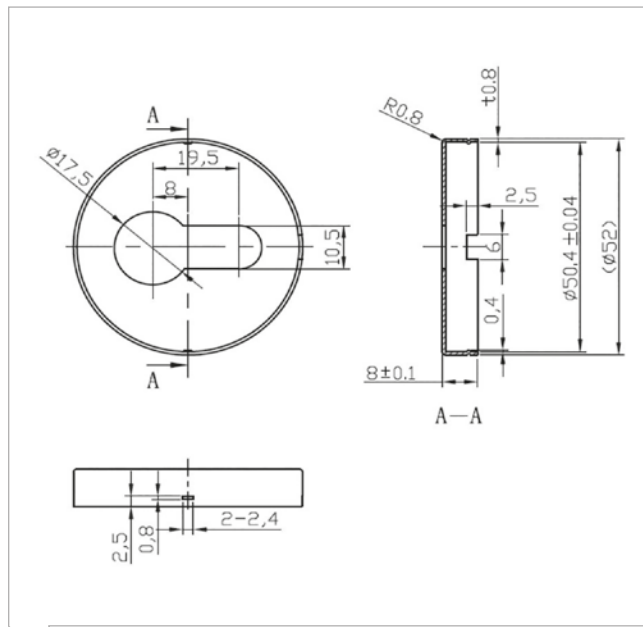
CR.BTH4049BB/FR

P. 18



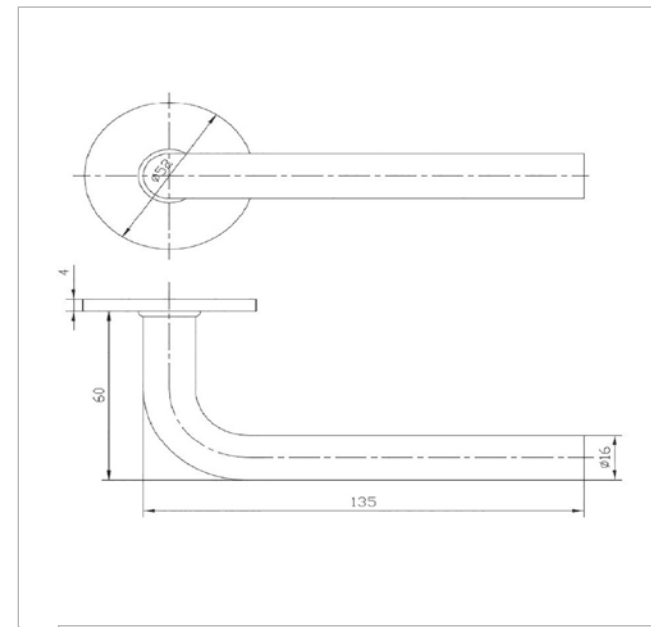
CR.BE4P/08

P. 18



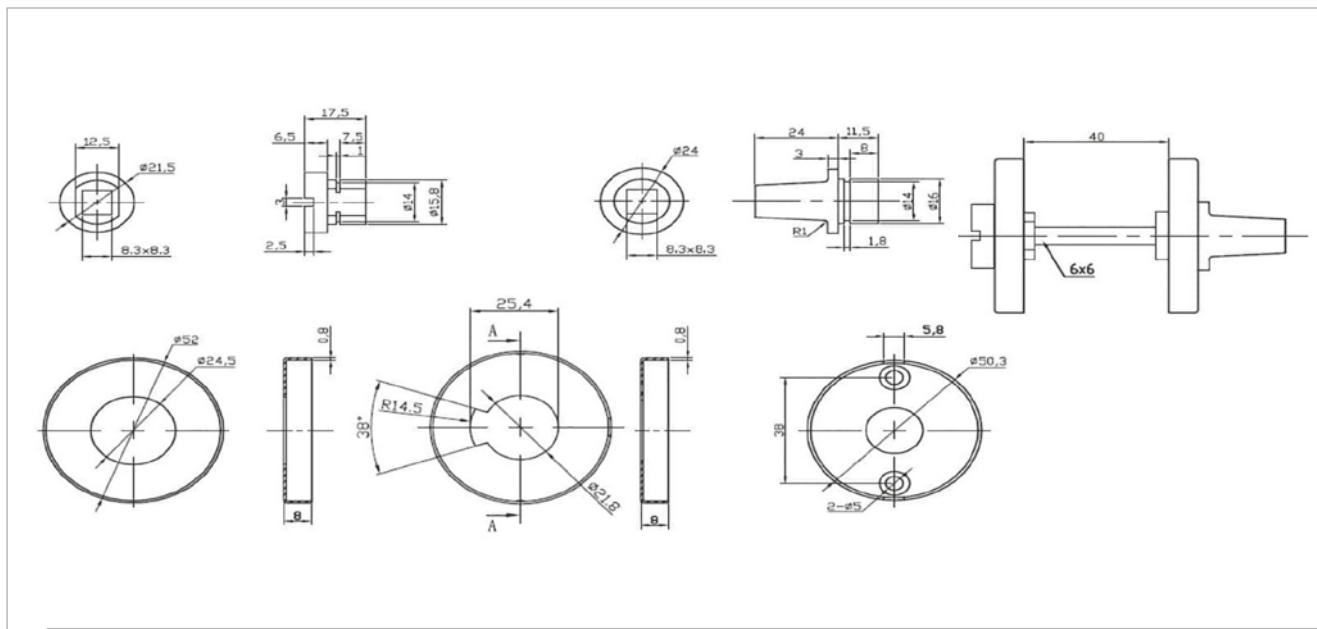
CR.BE4Y/08

P. 18



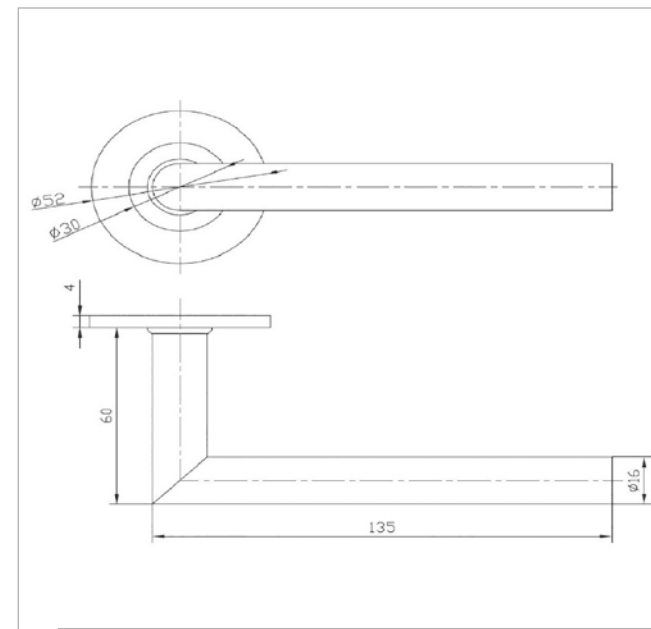
CR.STH1026/04

P. 19



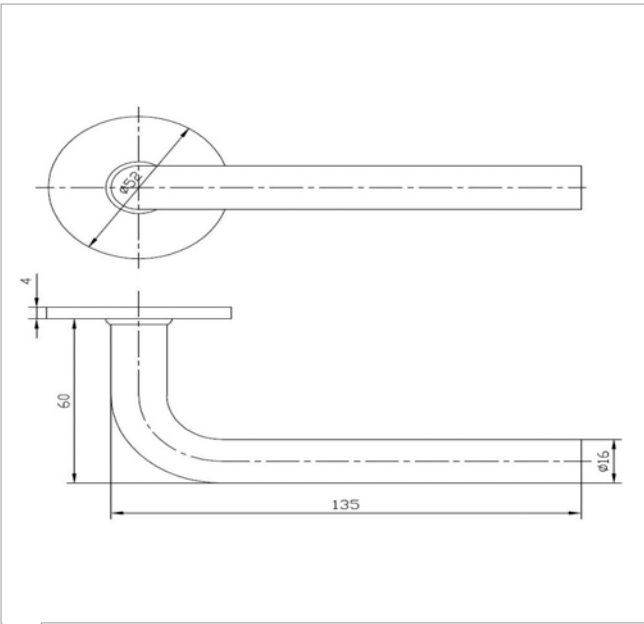
CR.BWCT4C

P. 18



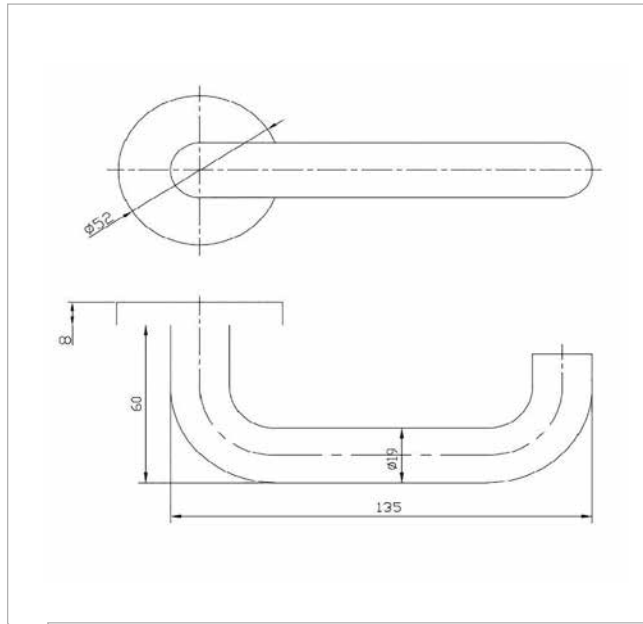
CR.STH1046/04

P. 19



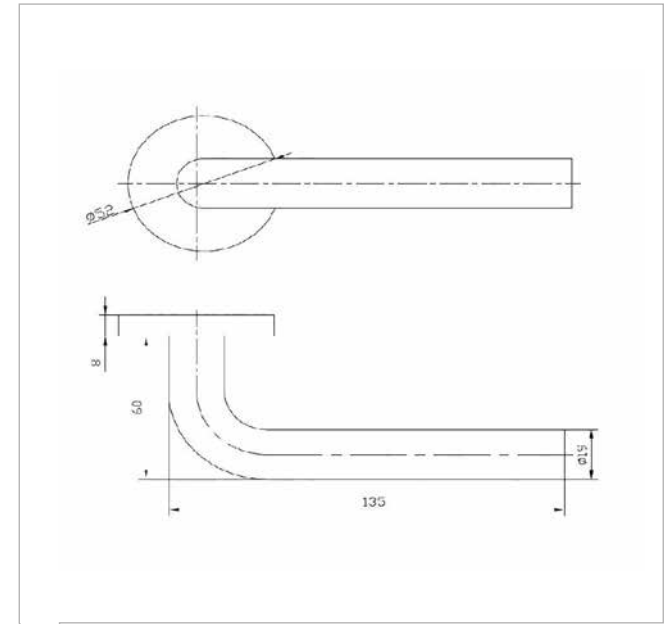
CR.STH1106/04

P. 19



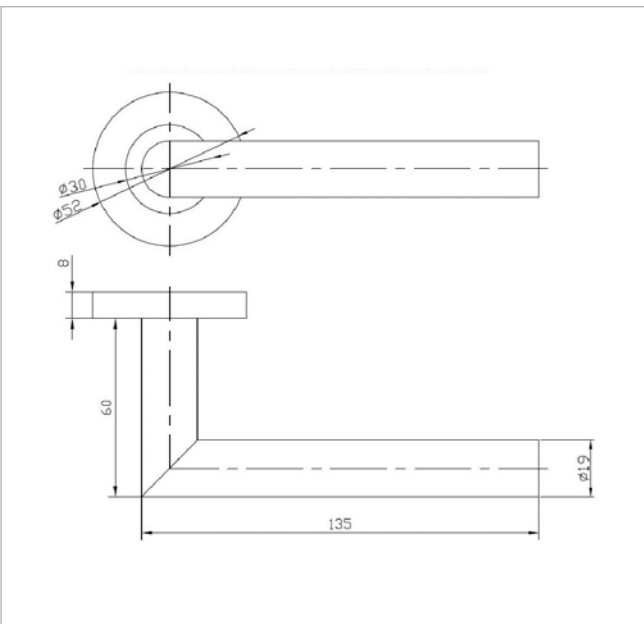
CR.STH1019

P. 19



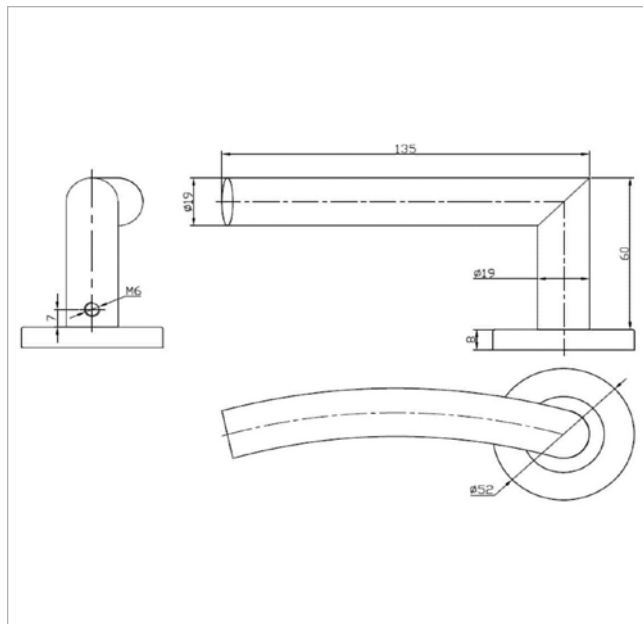
CR.STH1029

P. 19



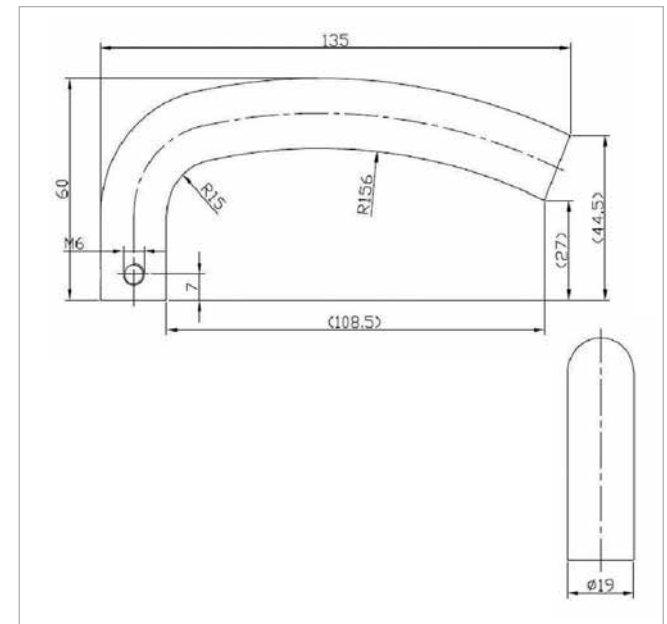
CR.STH1049

P. 19



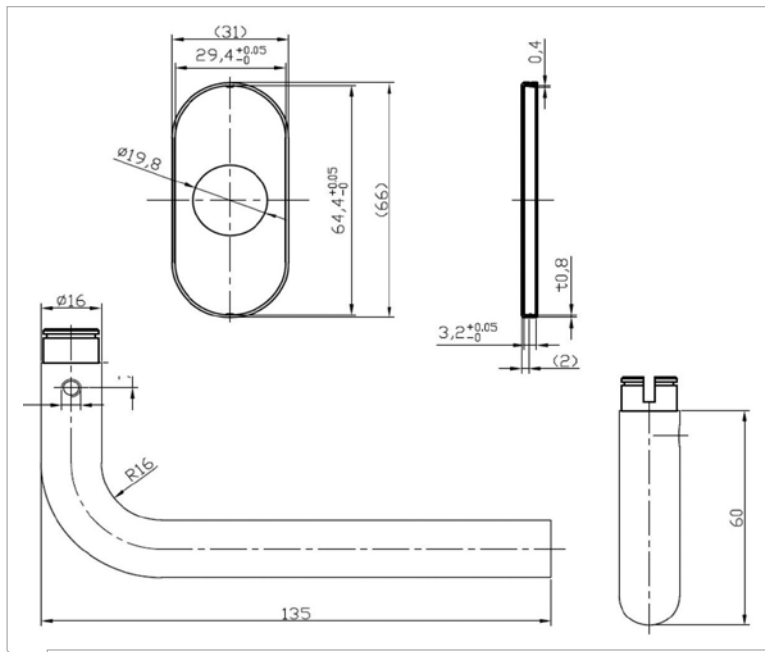
CR.STH1089

P. 18



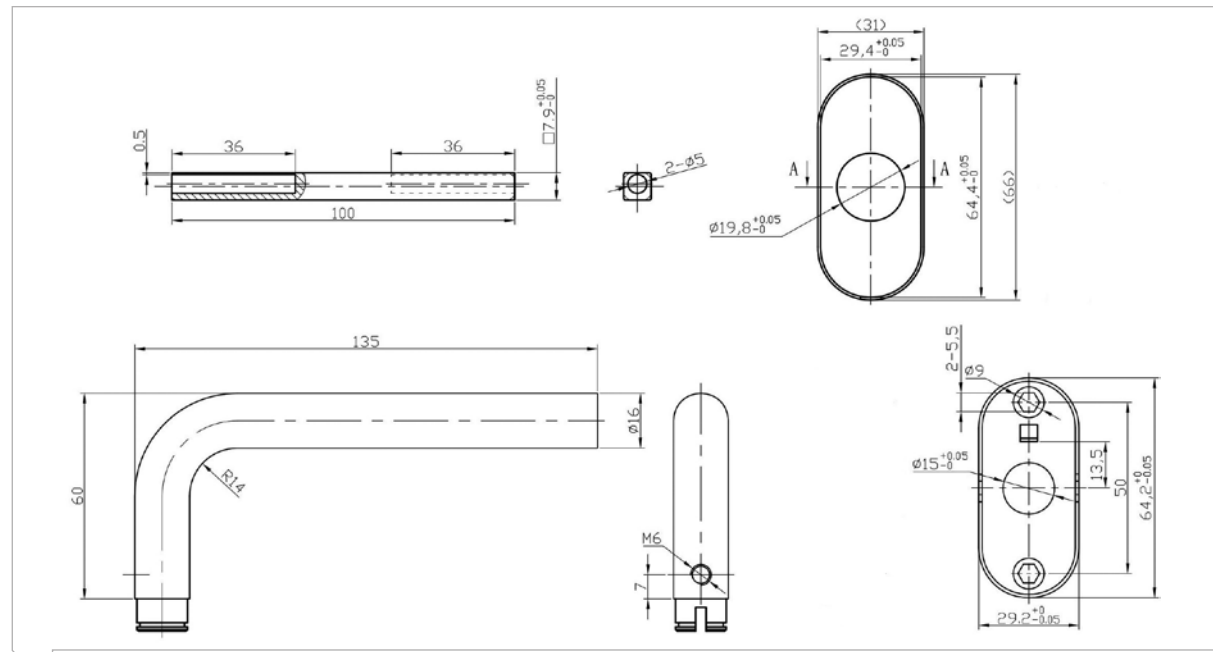
CR.STH1039

P. 20



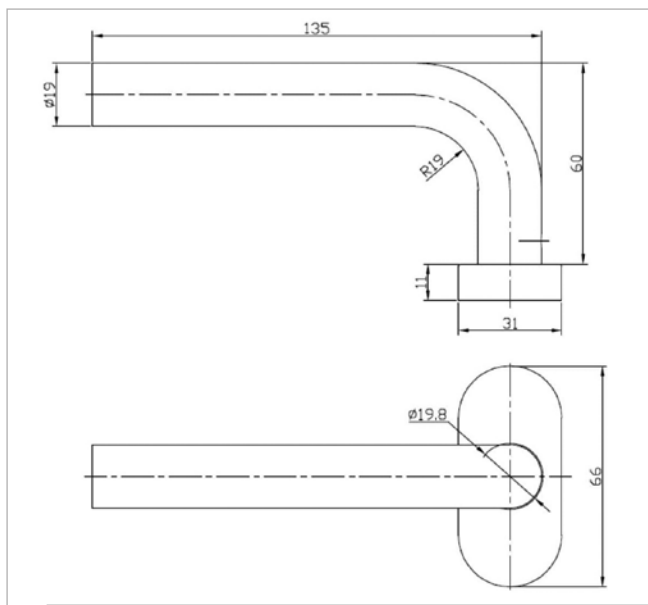
CR.STHOV1026/04

P. 20



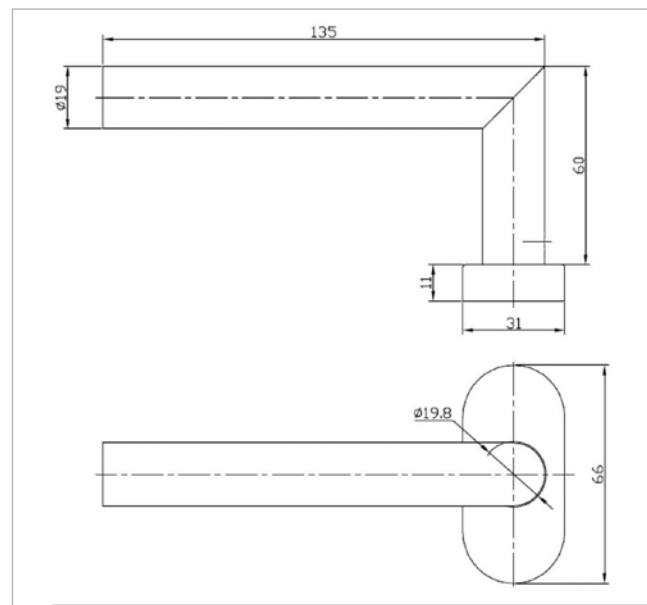
CR.STHOV1026

P. 20



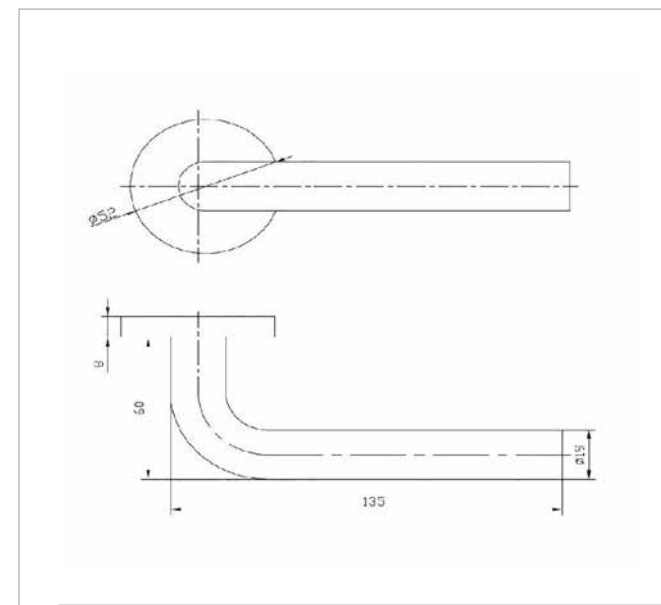
CR.STHOV1029

P. 20



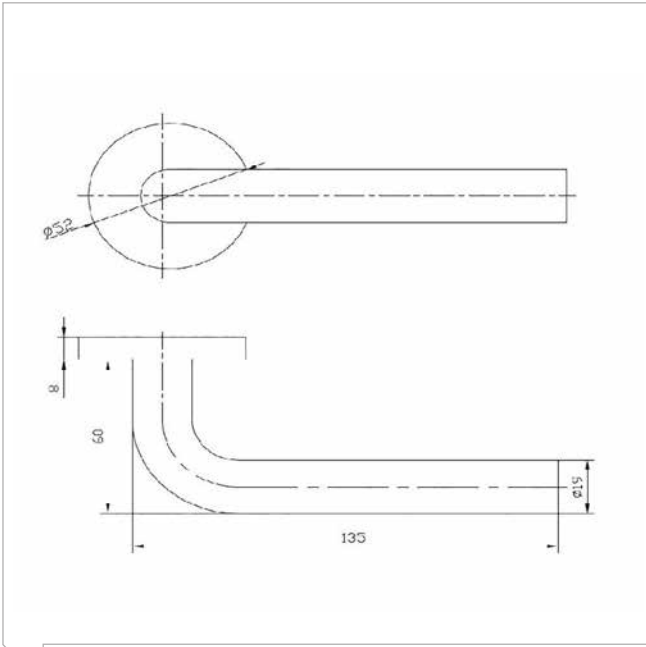
CR.STHOV1049

P. 20



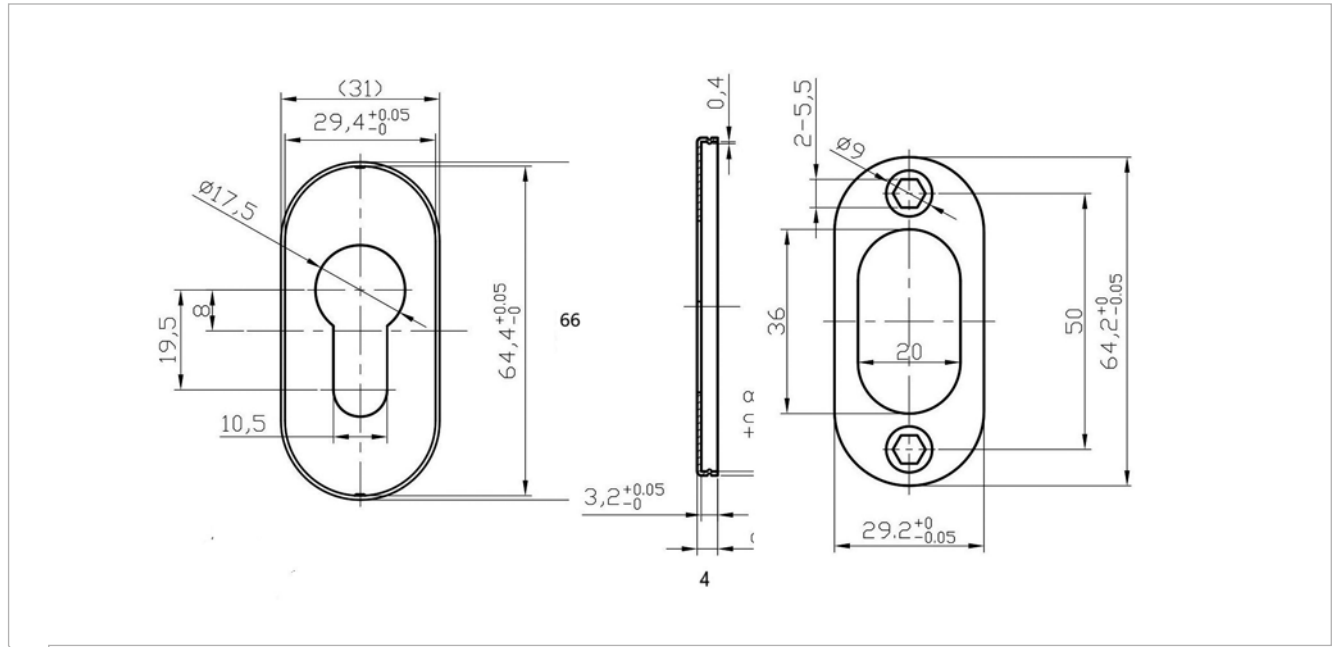
CR.TH1029

P. 20



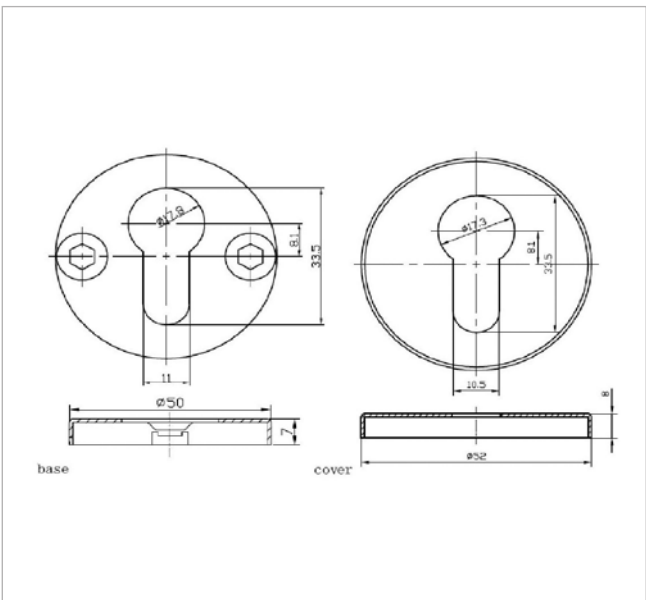
CR.TH1029DS

P. 20



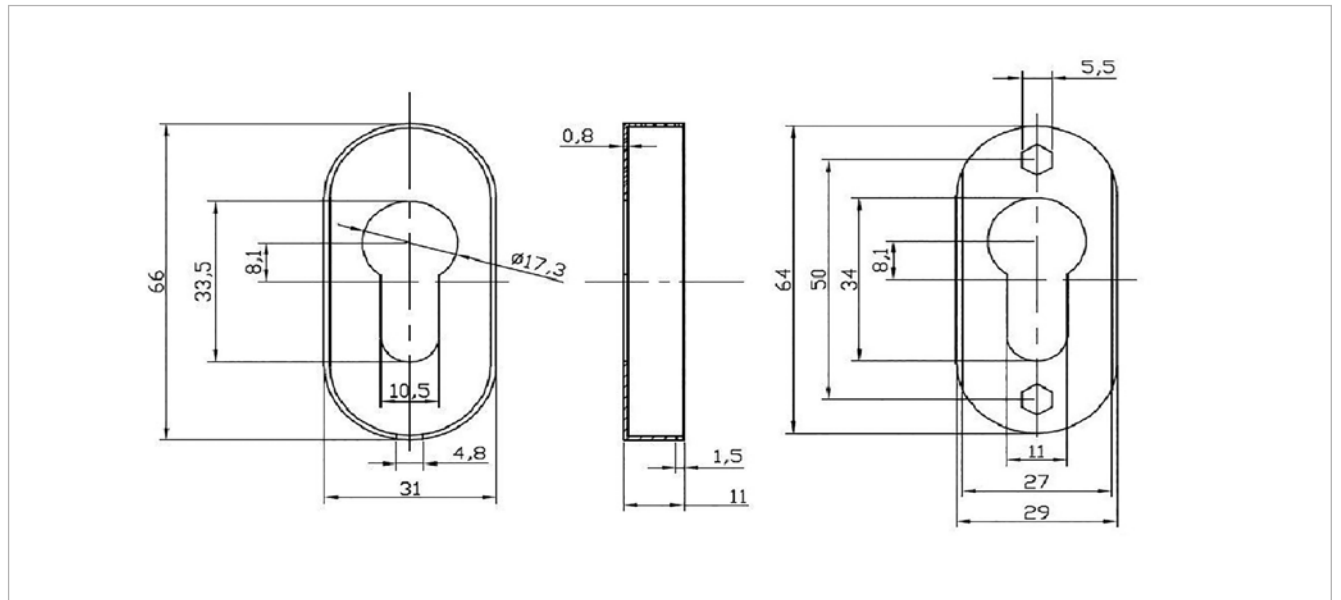
CR.E10VY/04

P. 21



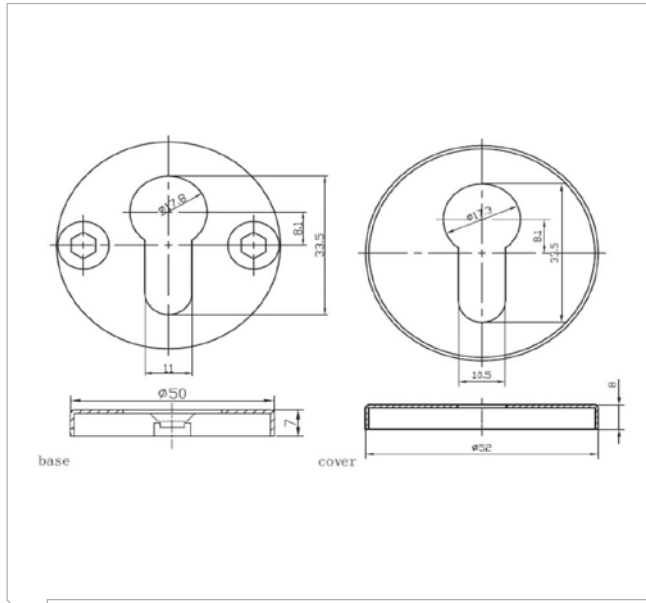
CR.E1Y/04

P. 21



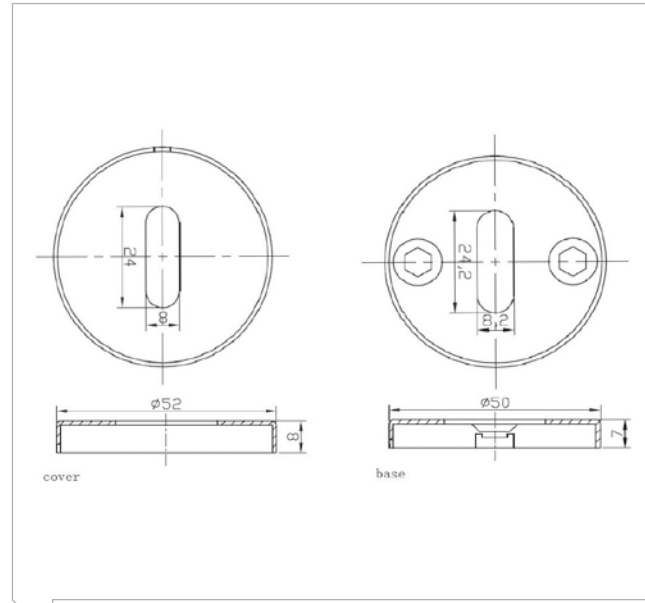
CR.E10VY

P. 21



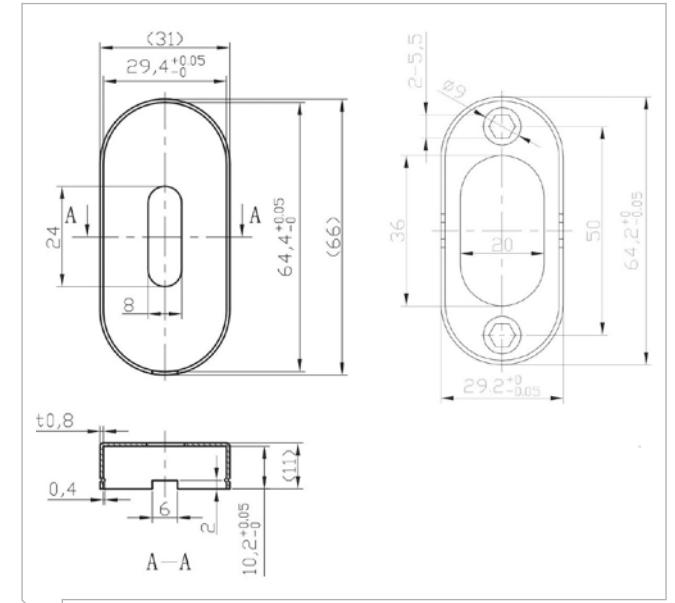
CR.E1Y

P. 21



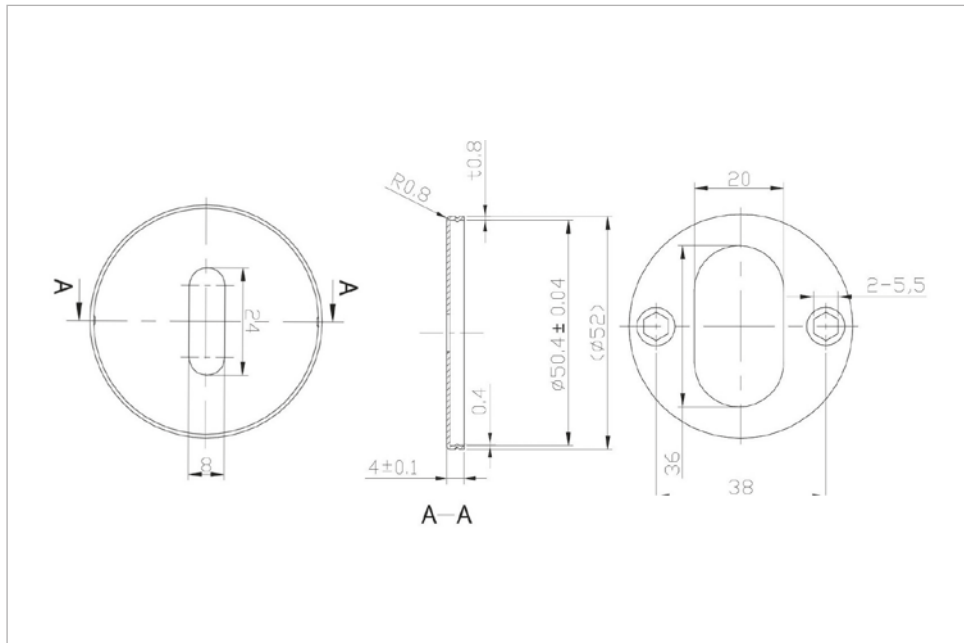
CR.E3P

P. 21



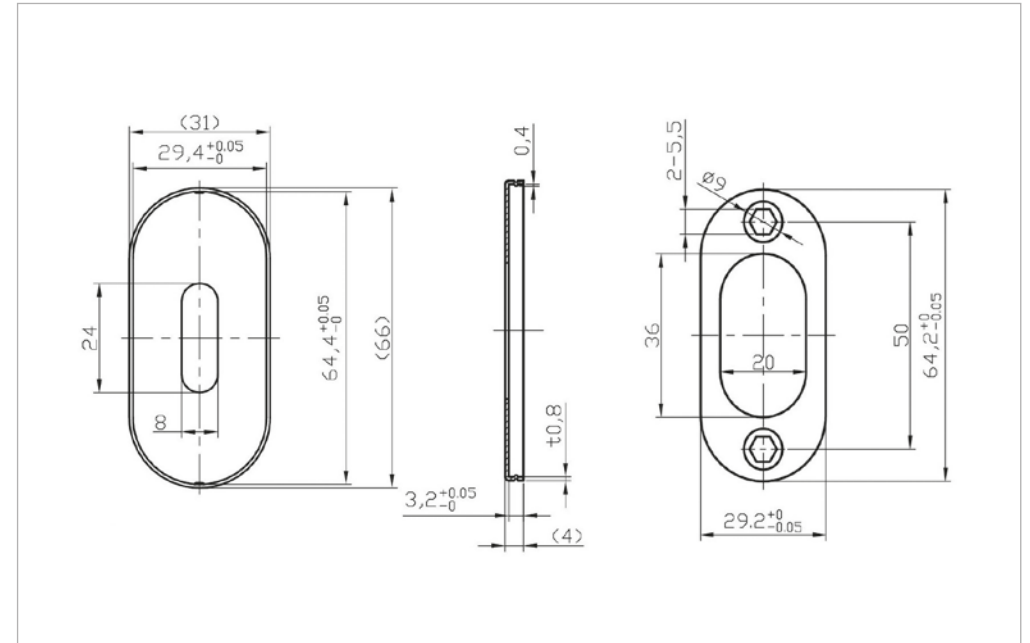
CR.E30VP

P. 21



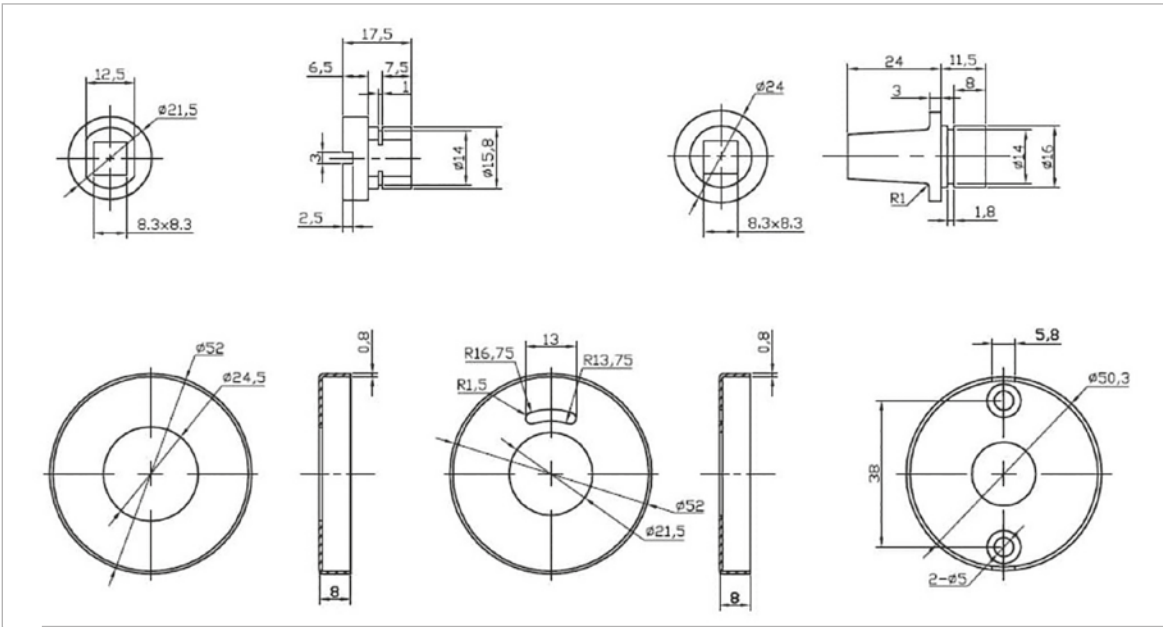
CR.E3P/04

P. 21



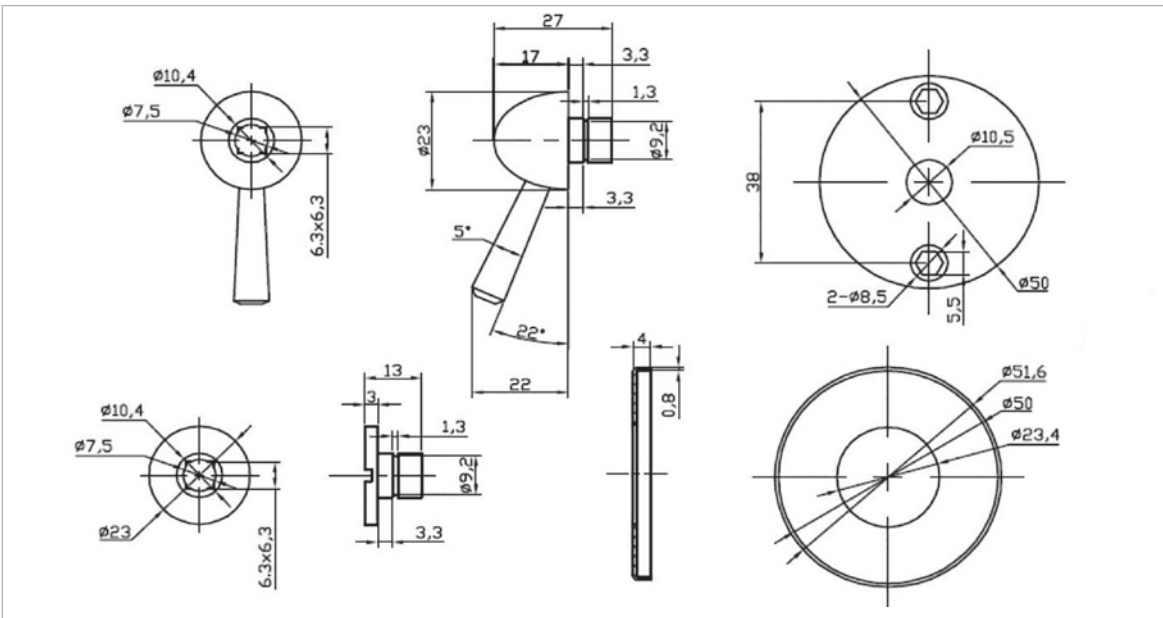
CR.E30VP/04

P. 21



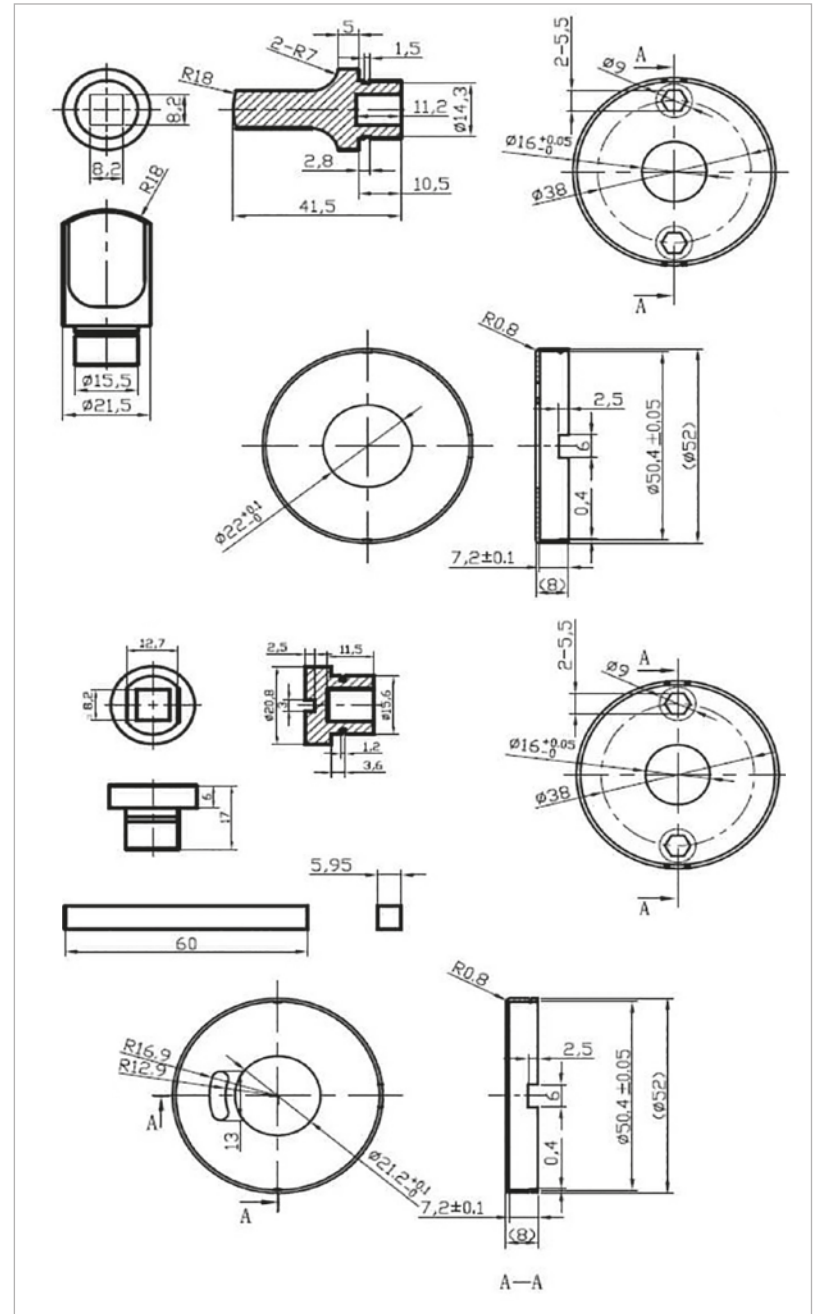
CR.WCTTC

P. 21



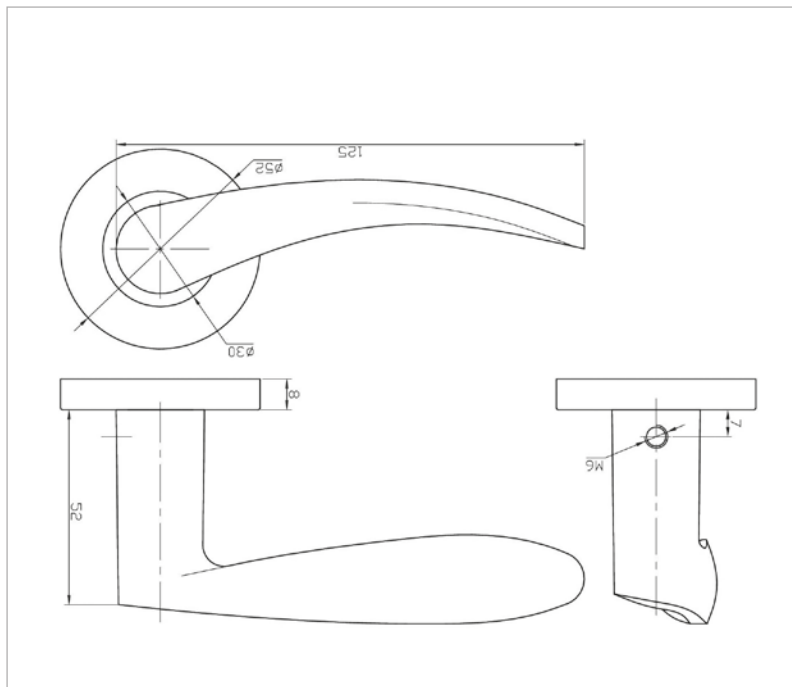
CR.WCTTA/04

P. 21



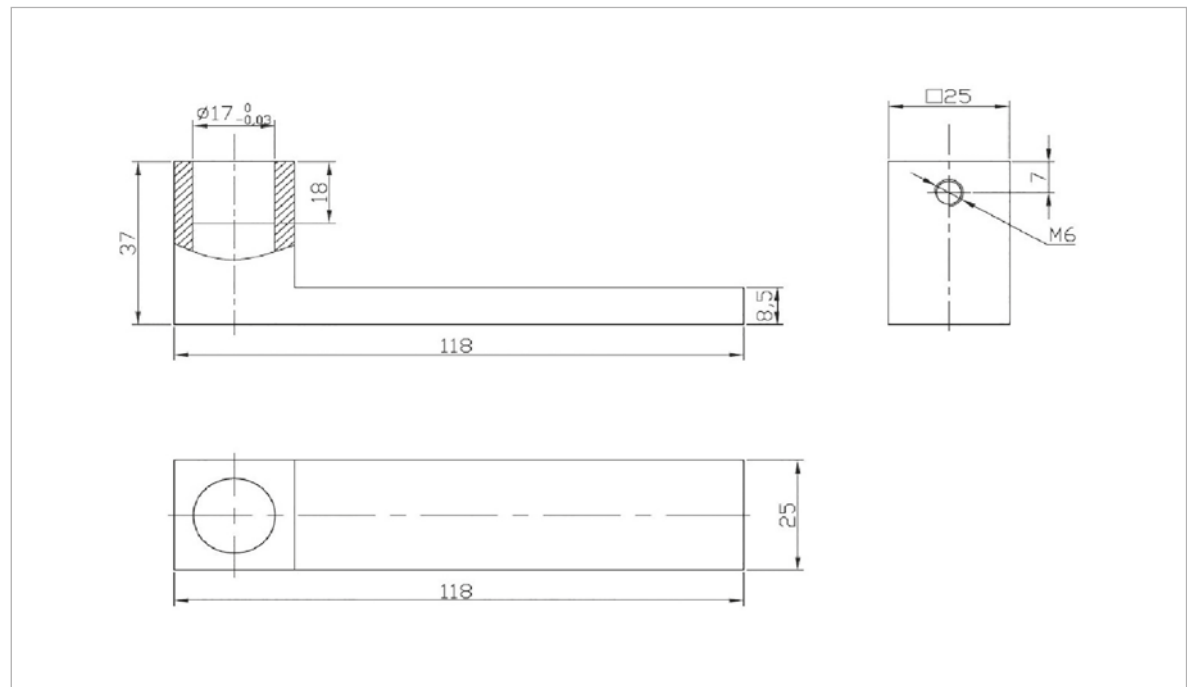
CR.WCTTB

P. 21



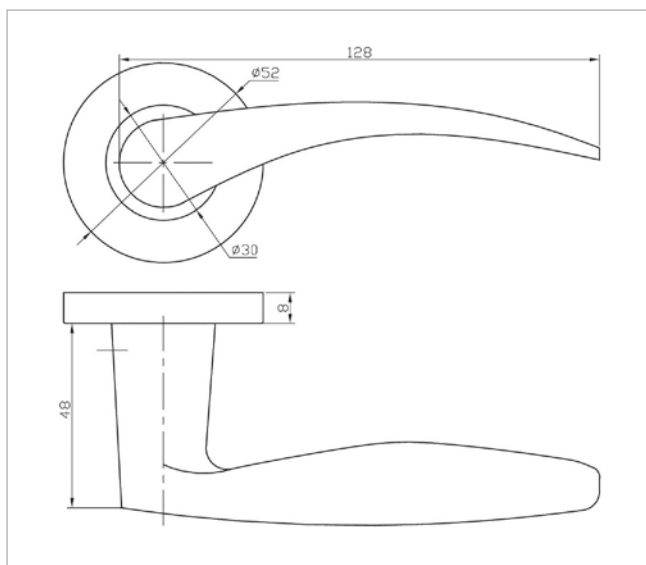
CR.SLH001

P. 22



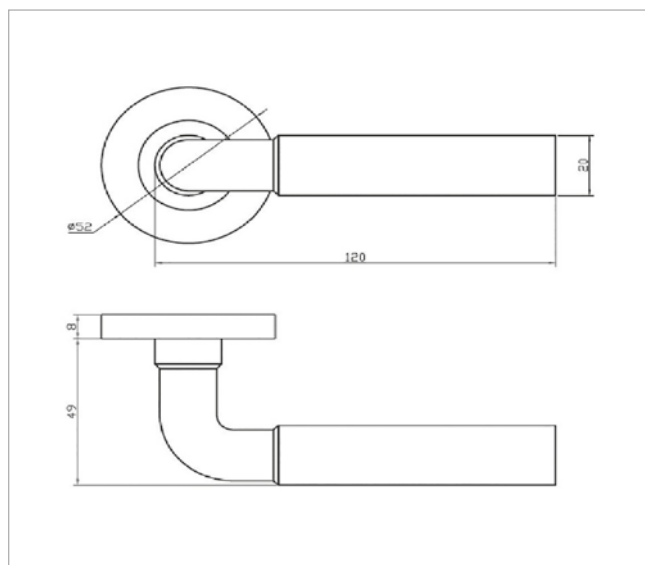
CR.SLH144

P. 22



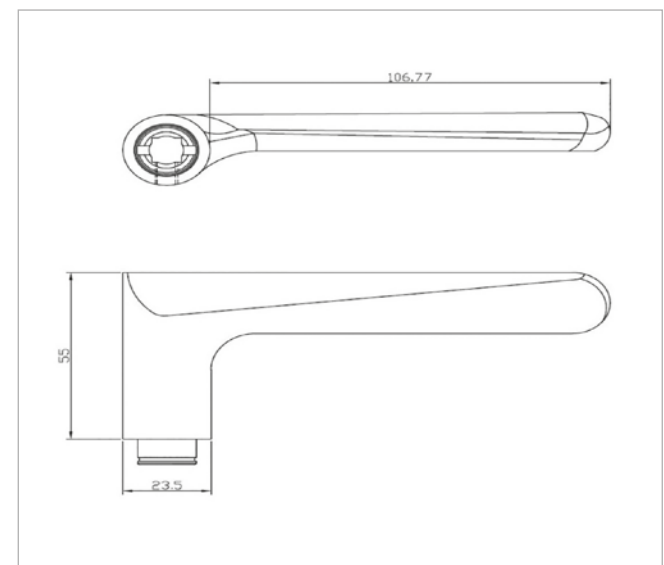
CR.SLH023

P. 22



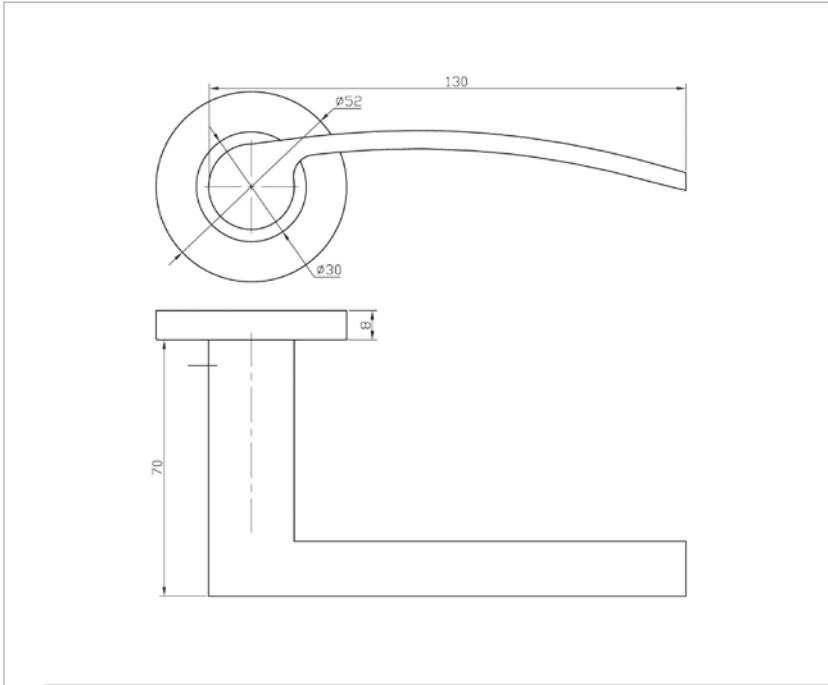
CR.SLH052

P. 22



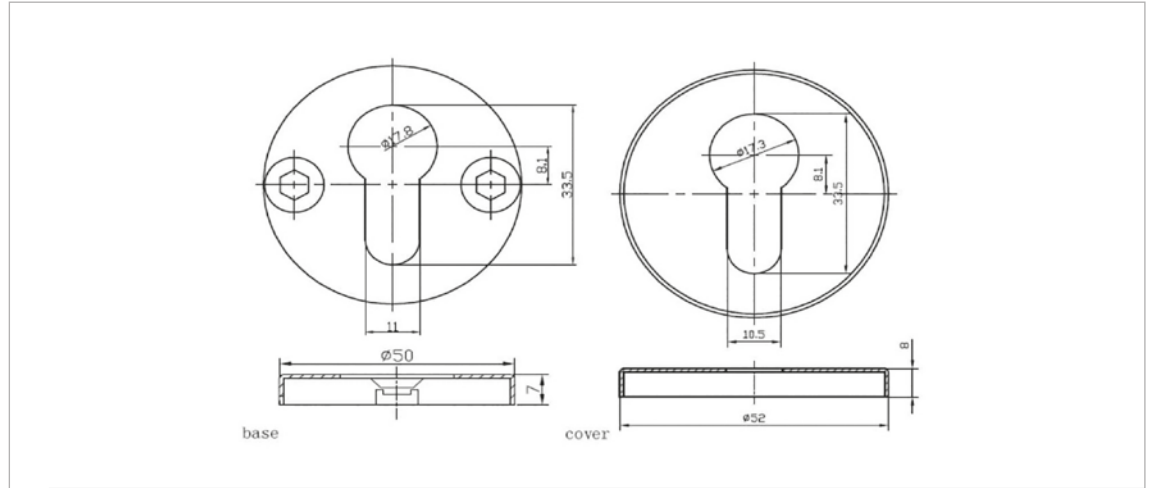
CR.SLH107

P. 22



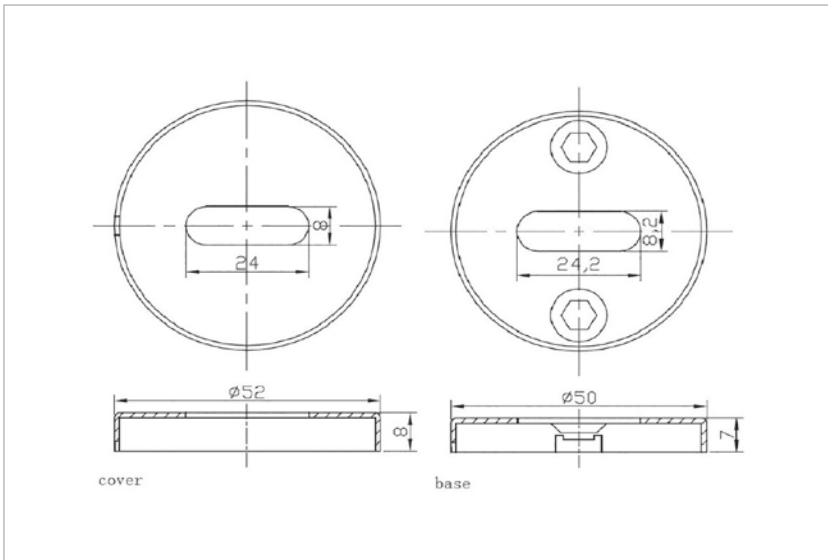
CR.SLH123

P. 22



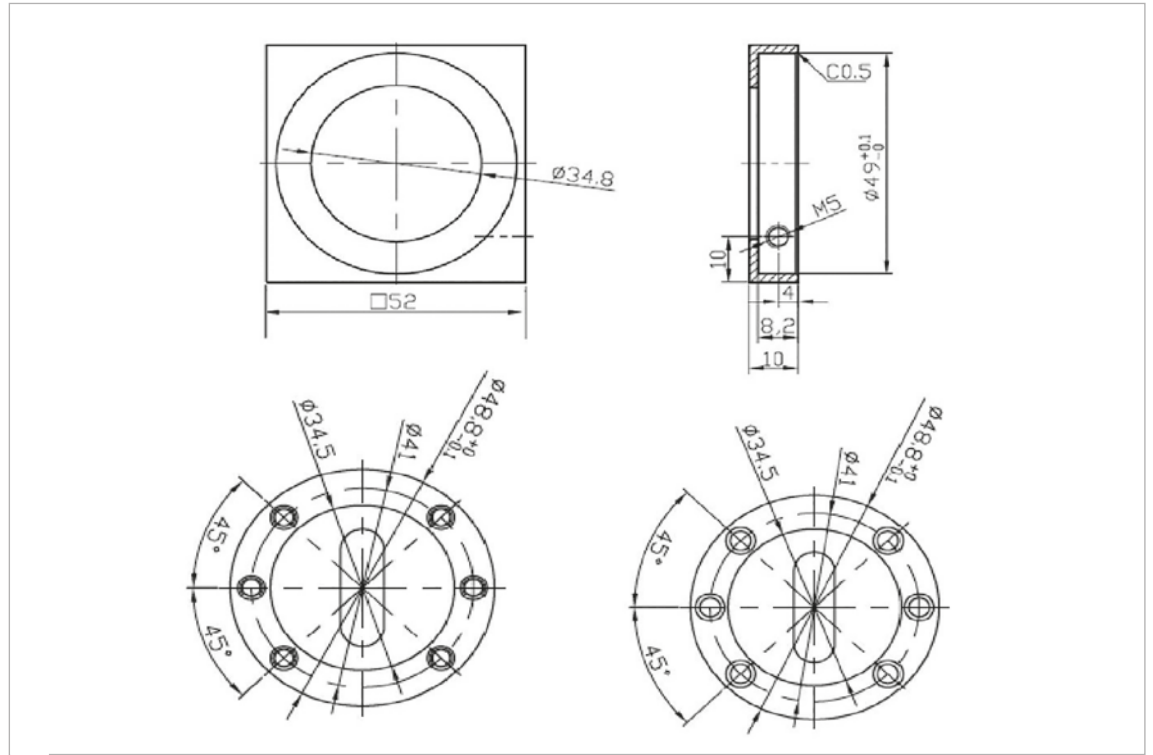
CR.E1Y

P. 23



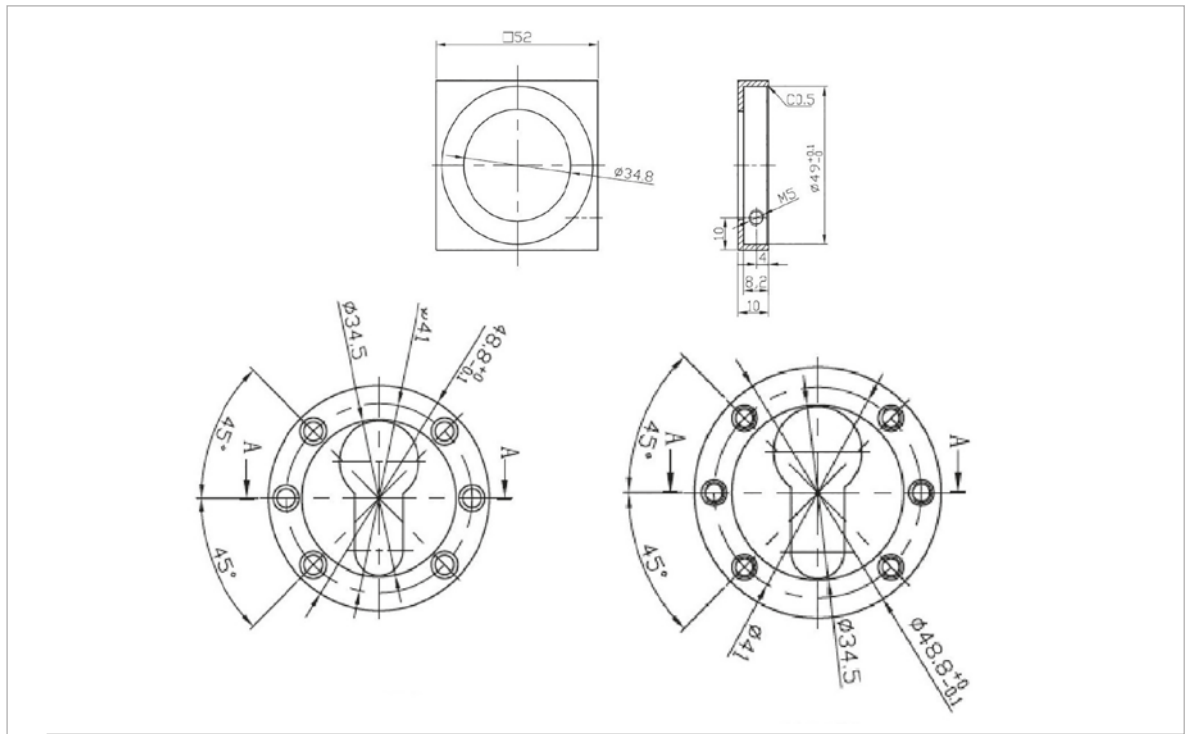
CR.E3P

P. 23



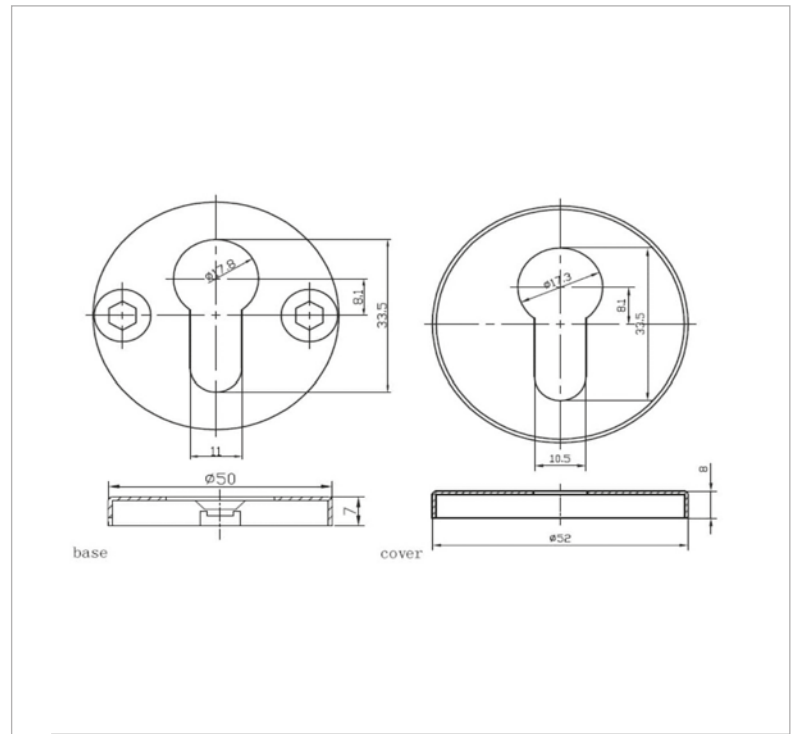
CR.E3PR

P. 23



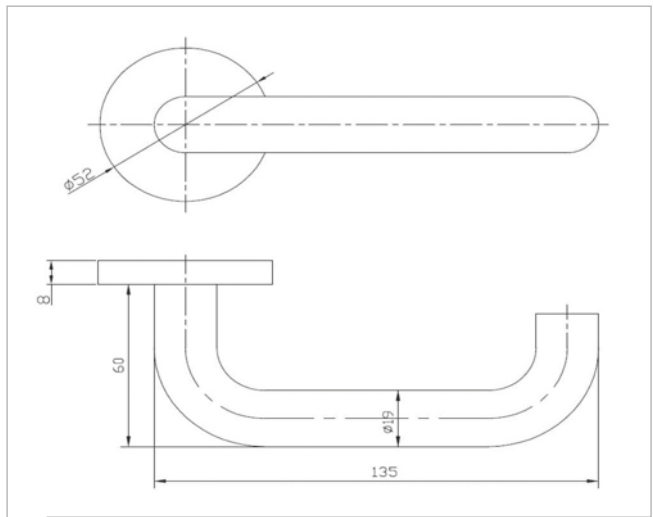
CR.E1YR

P. 23



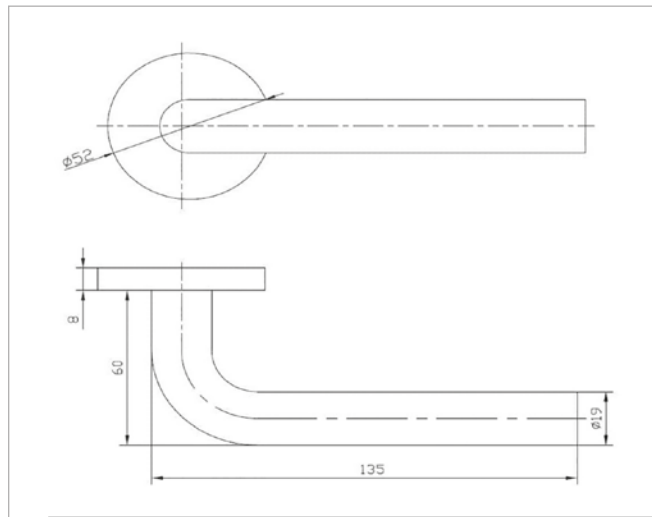
CR.EE1Y

P. 24



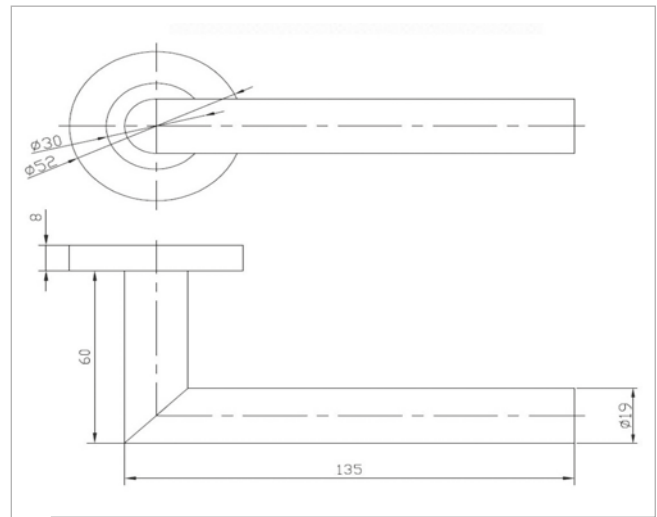
CR.ETH1019

P. 24



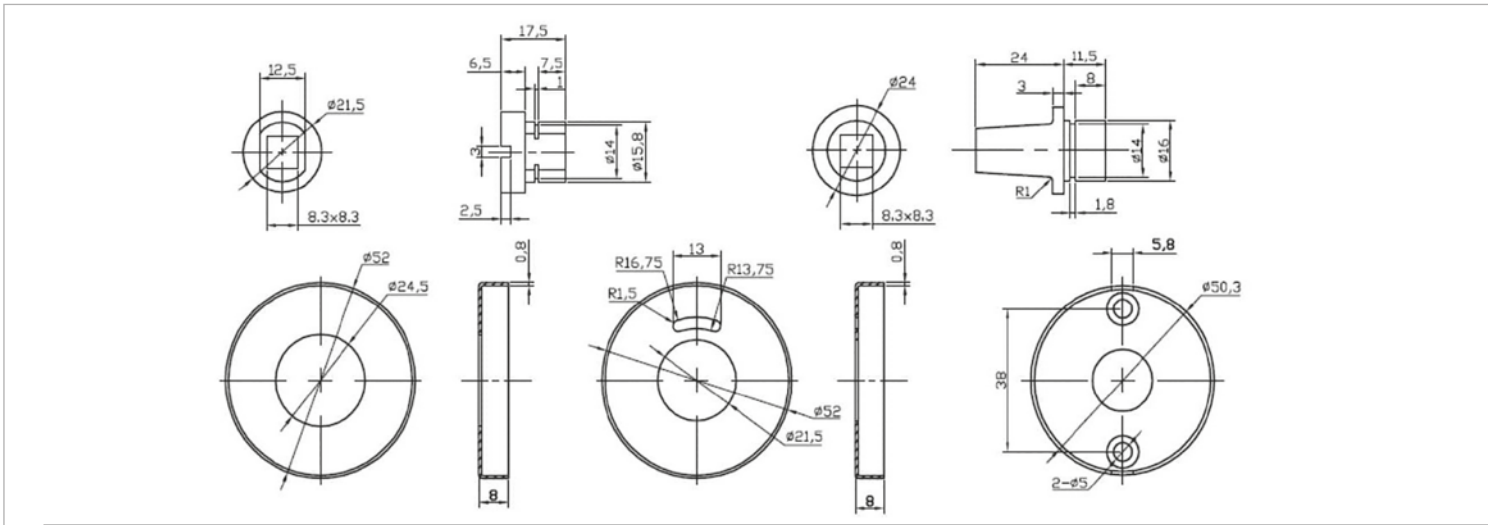
CR.ETH1029

P. 24

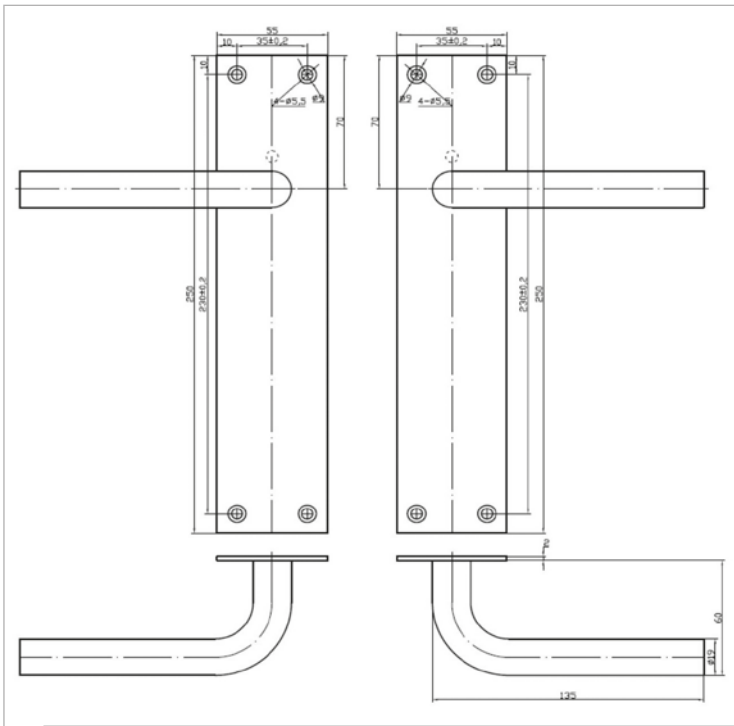


CR.ETH1049

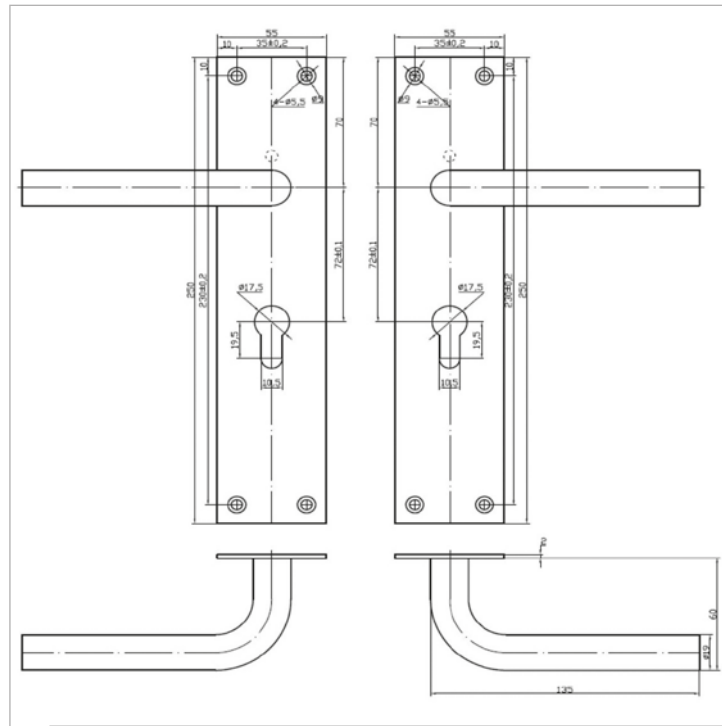
P. 24



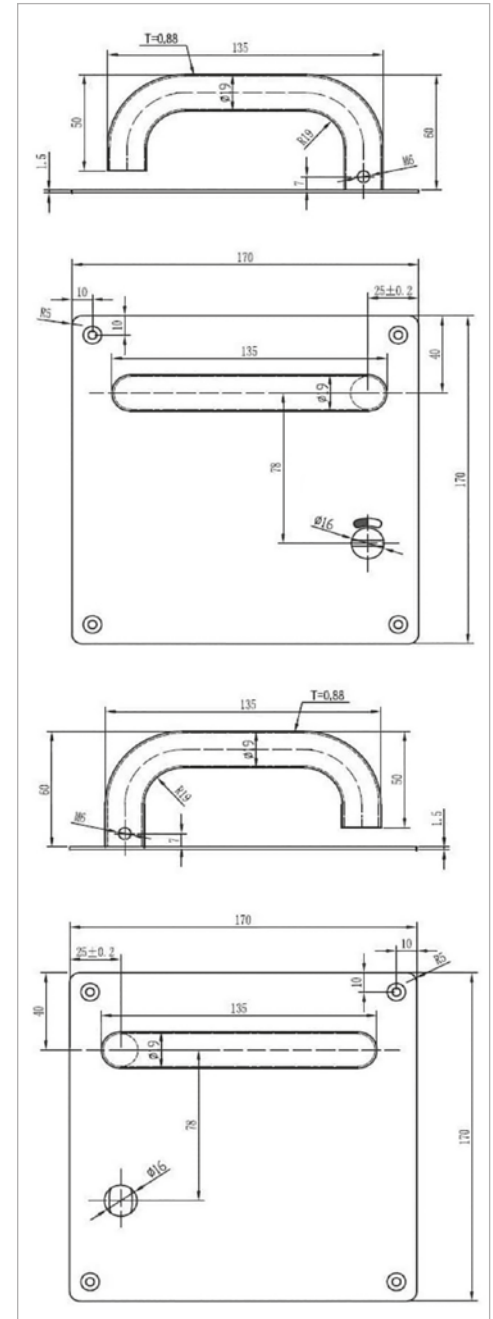
CR.EWCC



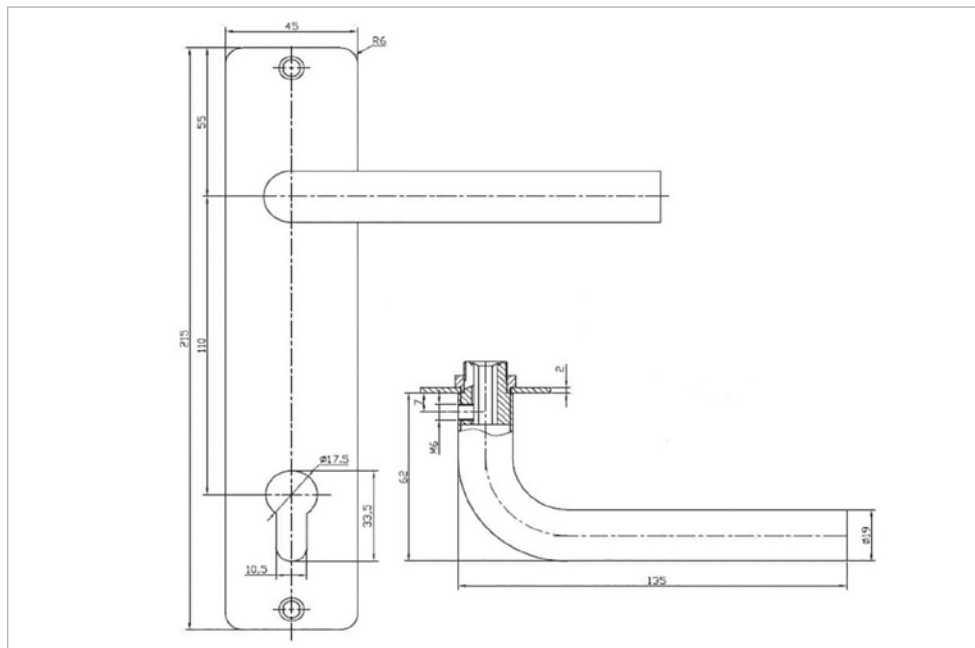
CR.TH102LP.BL



CR.TH102LP.Y72

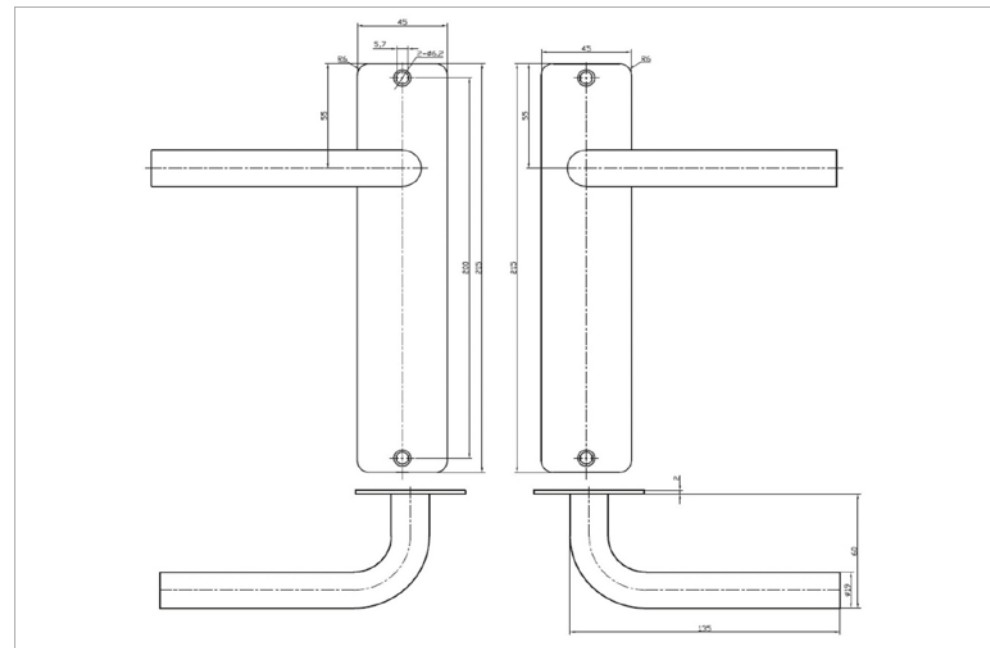


CR.YHP300WC78



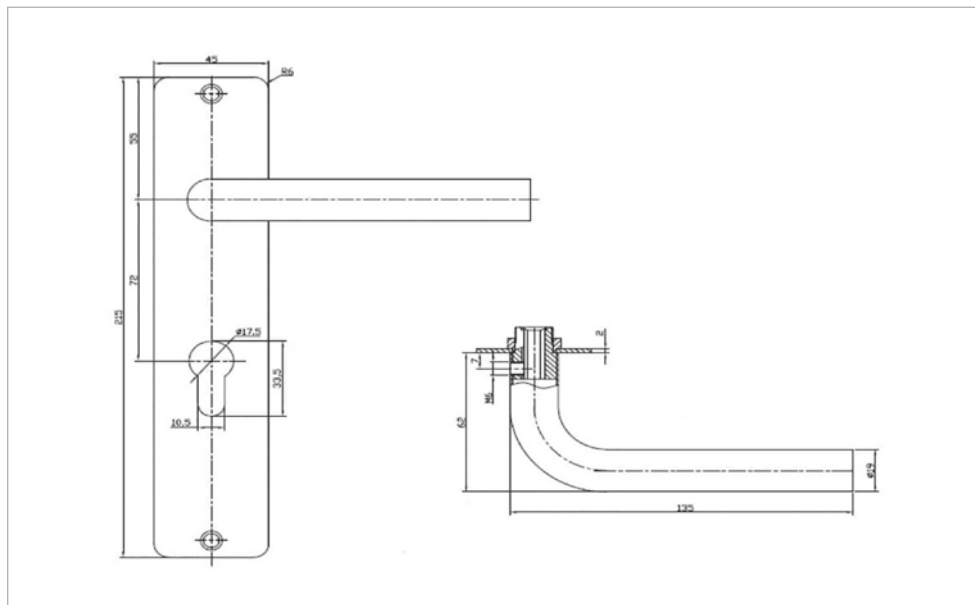
CR.TH102LPS.Y11

P. 25



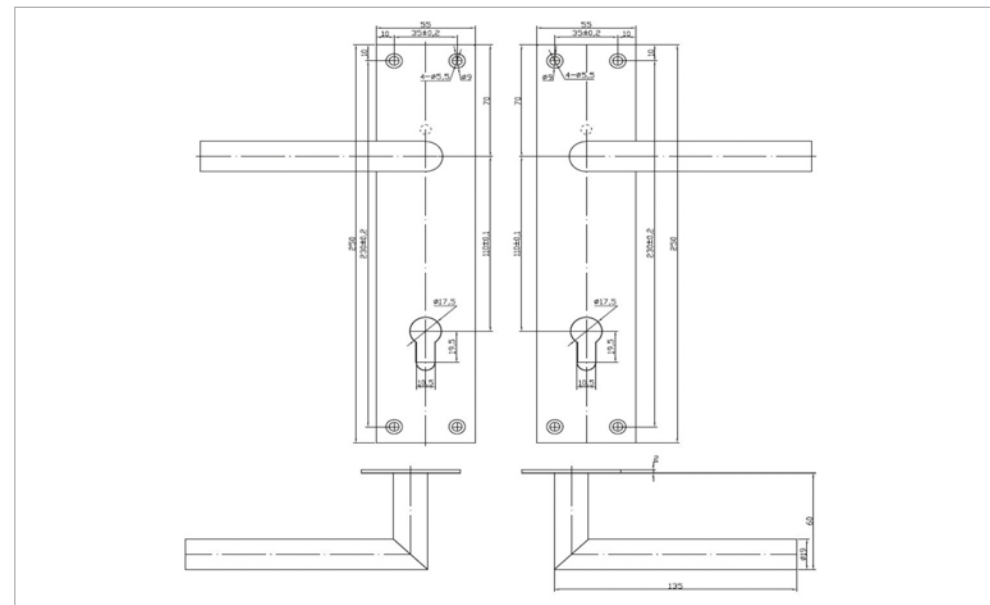
CR.THP102LPS.BL

P. 25



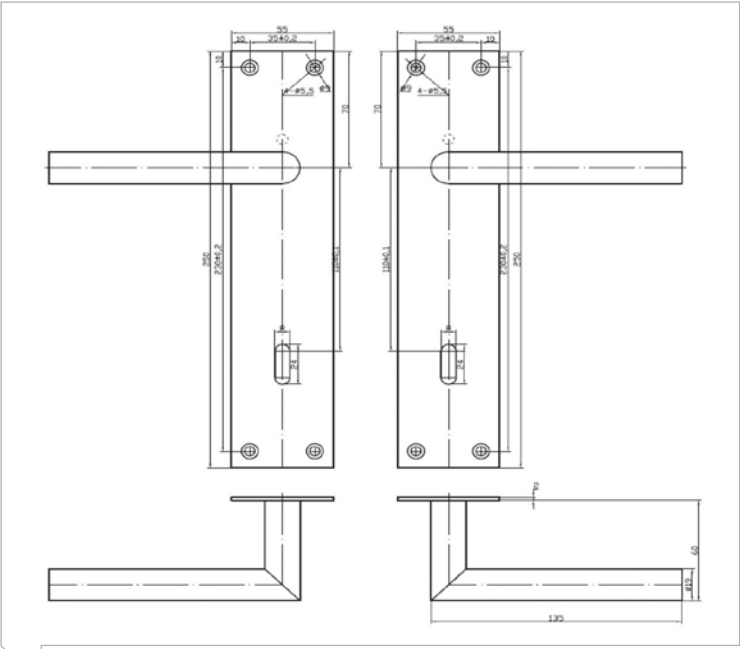
CR.THP102LPS.Y72

P. 25



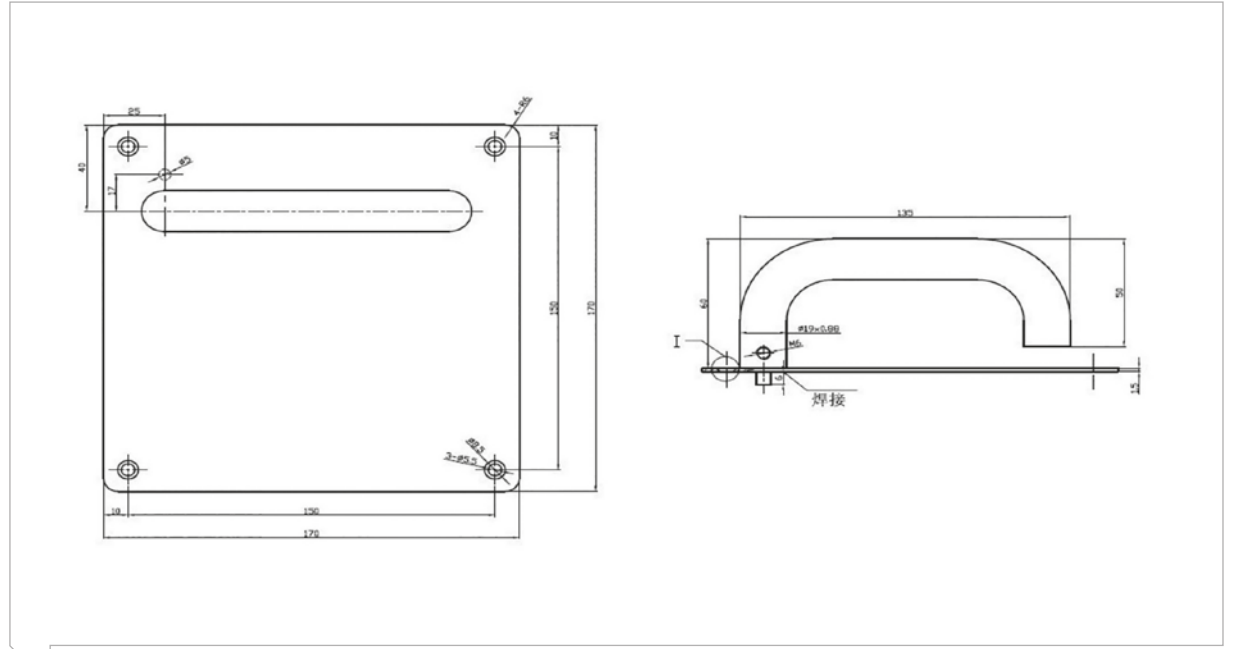
CR.TH104LP.Y11

P. 25



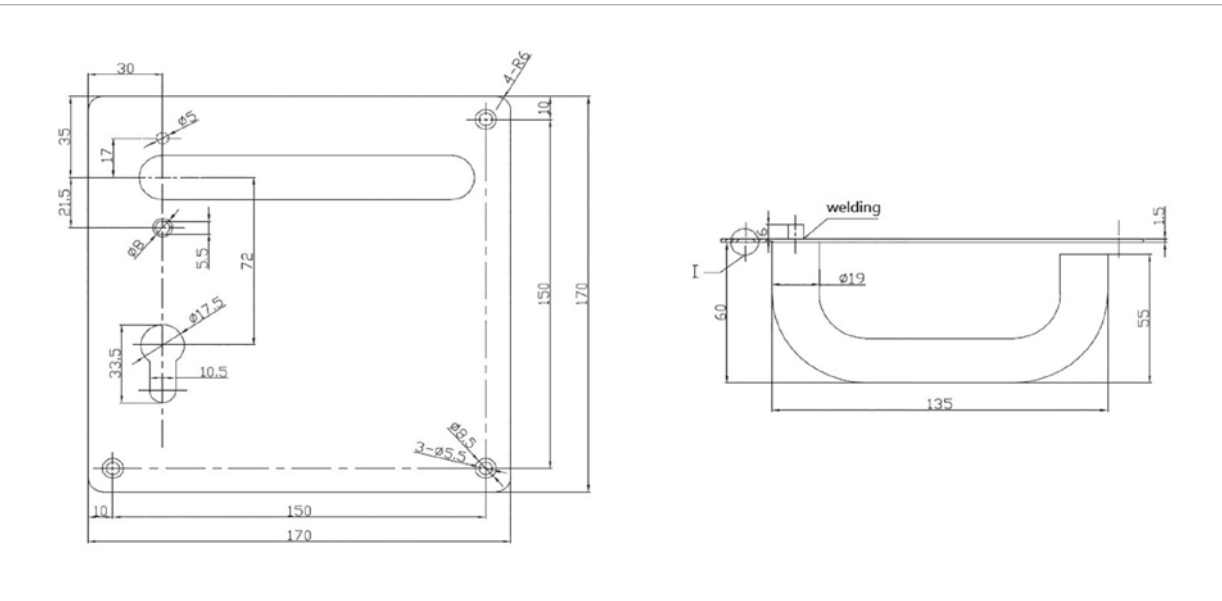
CR.TH104LP.B11

P. 25



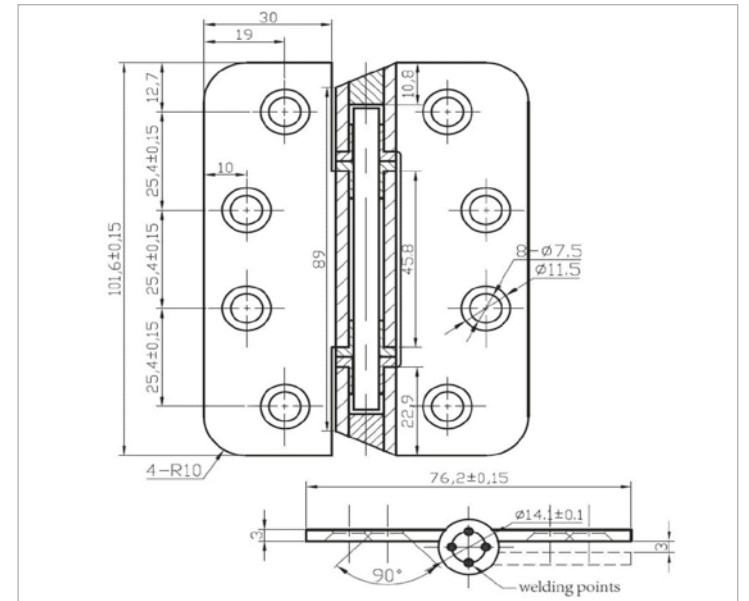
CR.THP3009

P. 25



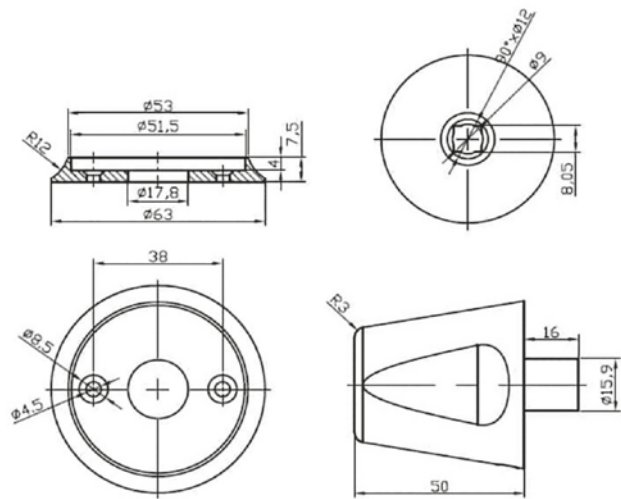
CR.THPL300Y72

P. 25



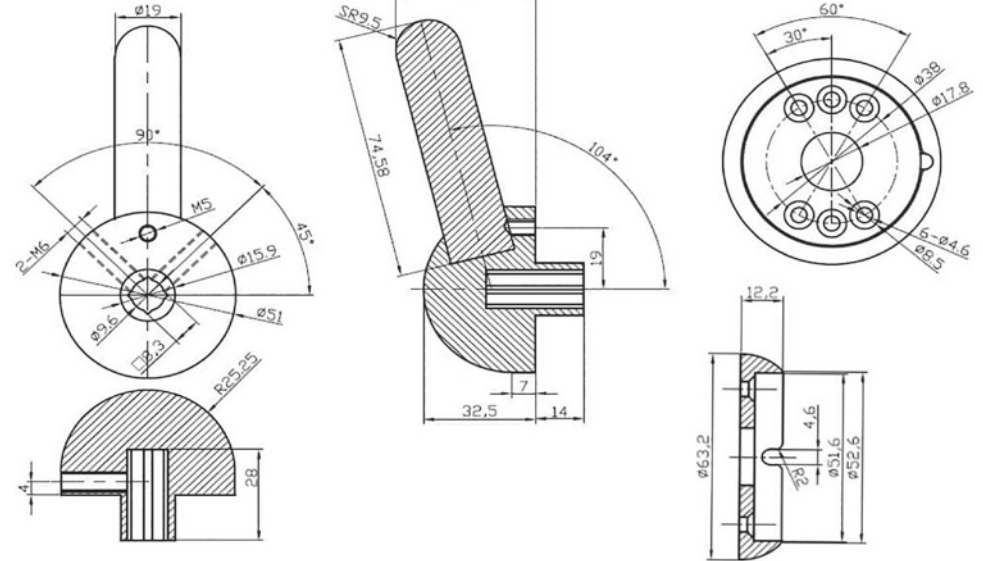
CR.149999

P. 26



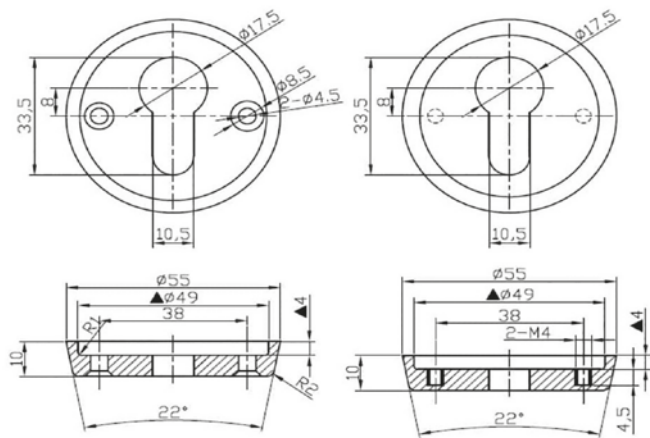
CR.34802

P. 26



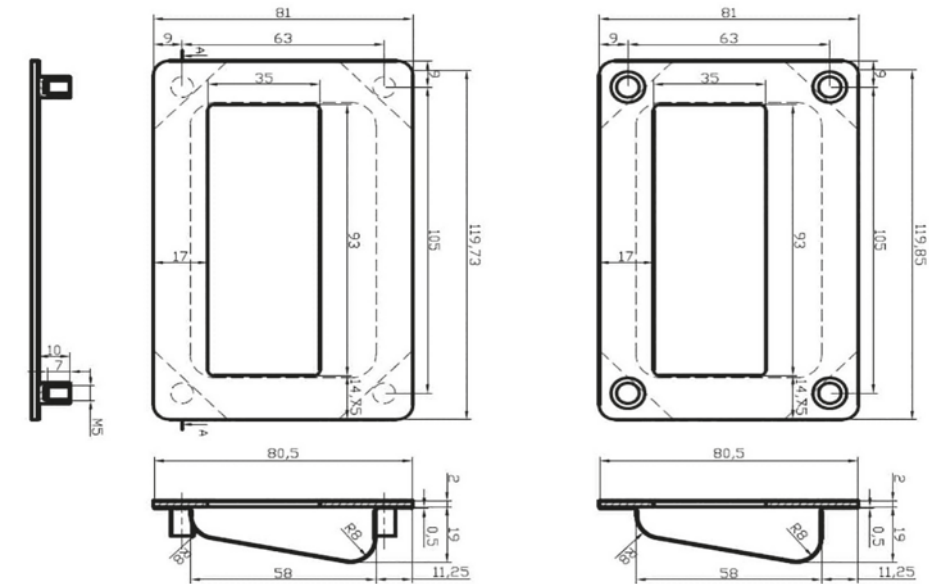
CR.34800

P. 26



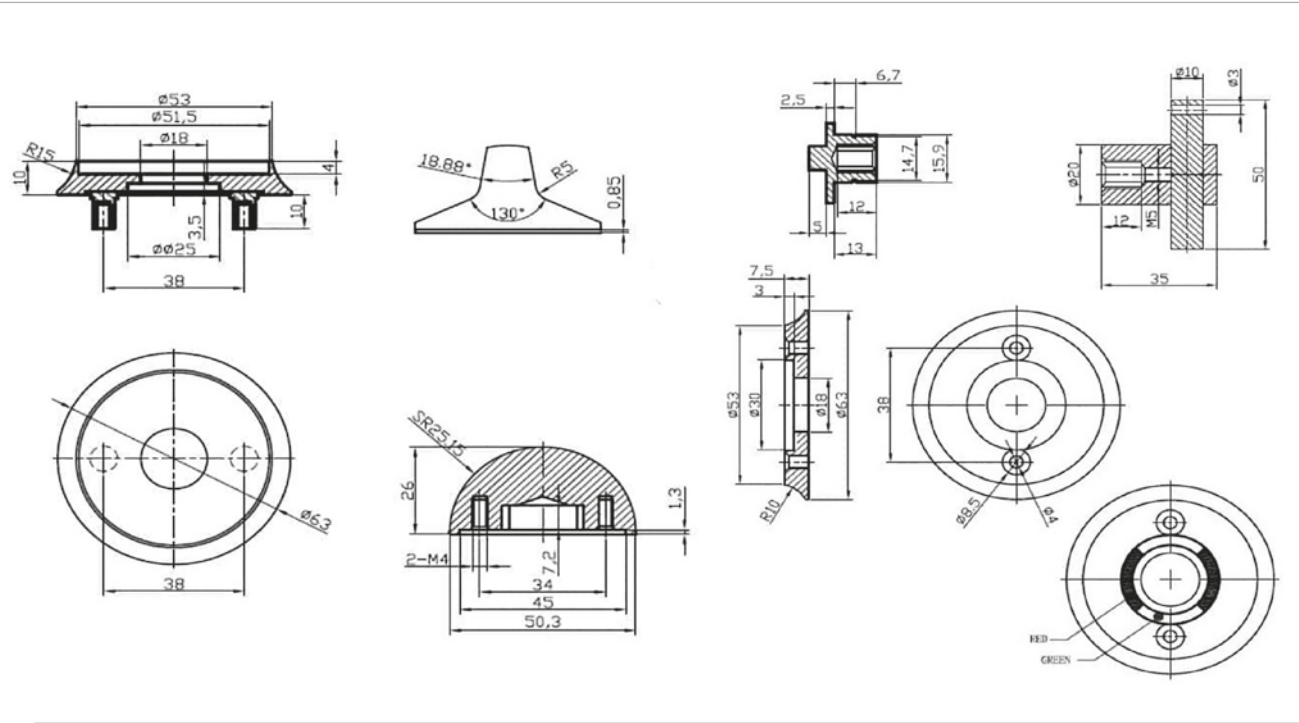
CR.34804

P. 26



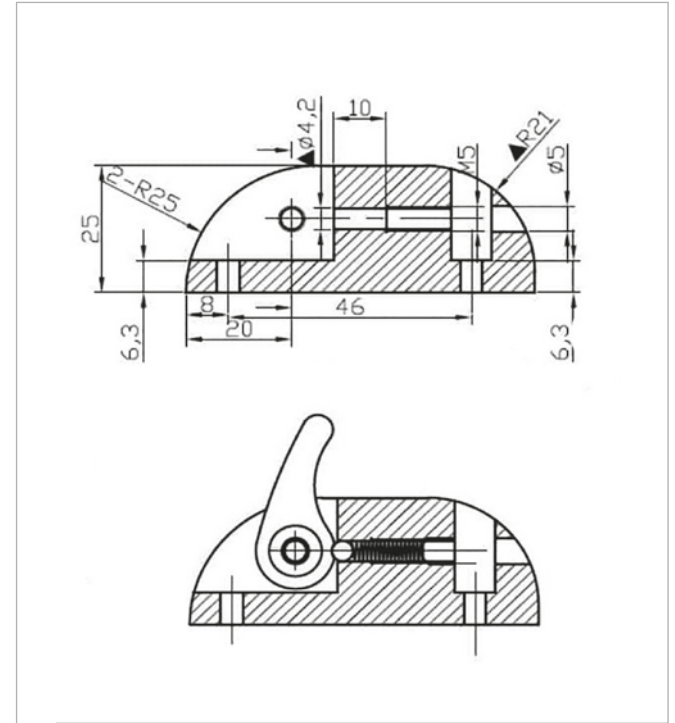
CR.34806

P. 26



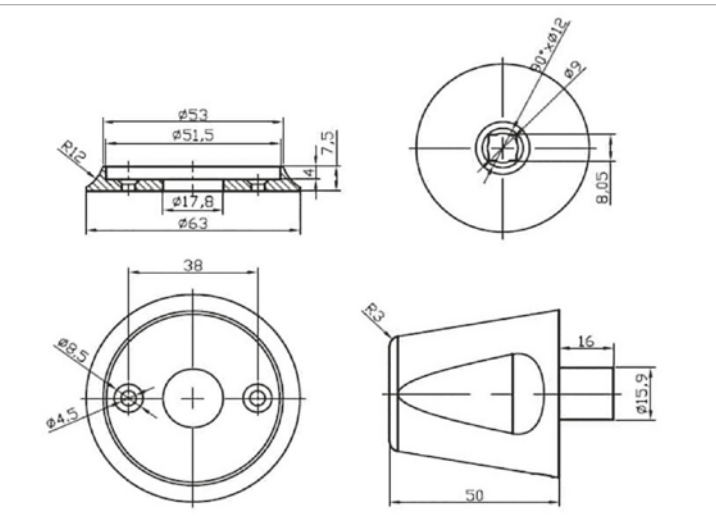
CR.34807

P. 26



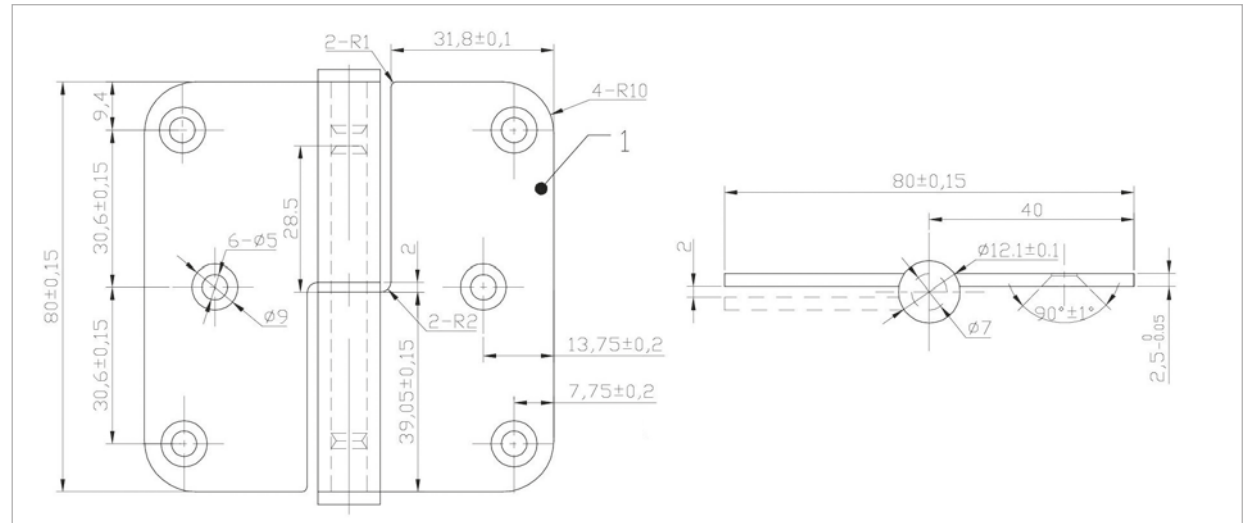
CR.34808

P. 26



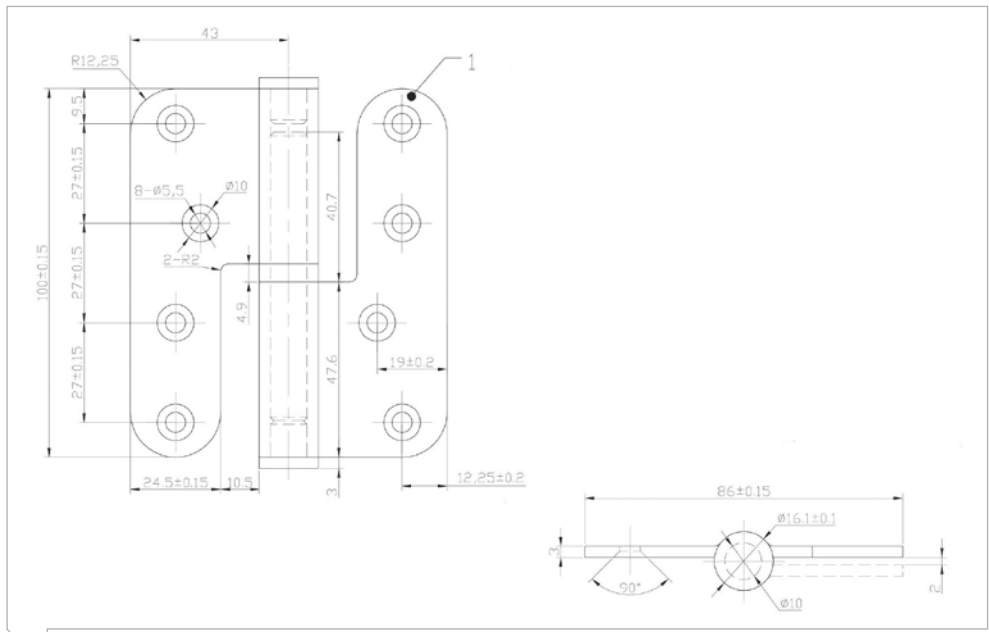
CR.34803

P. 26



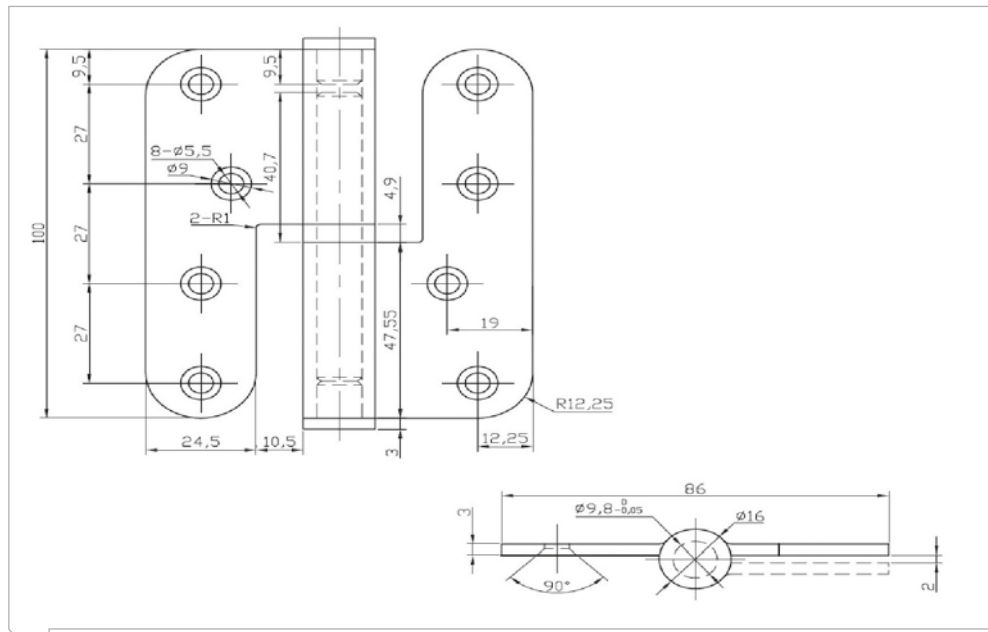
CR.BPA8080

P. 30



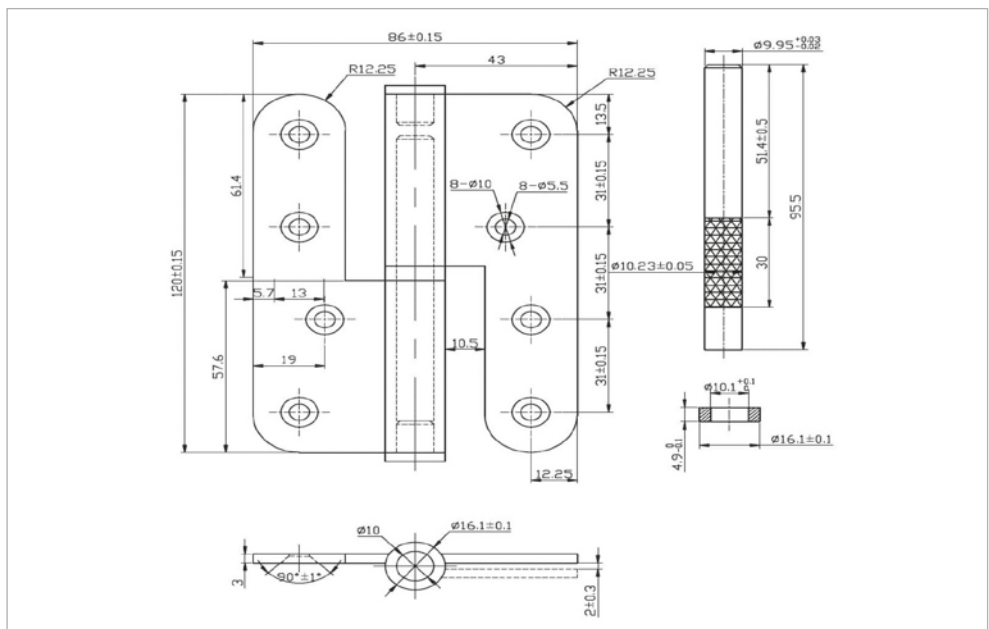
CR.BPA10086

P. 30



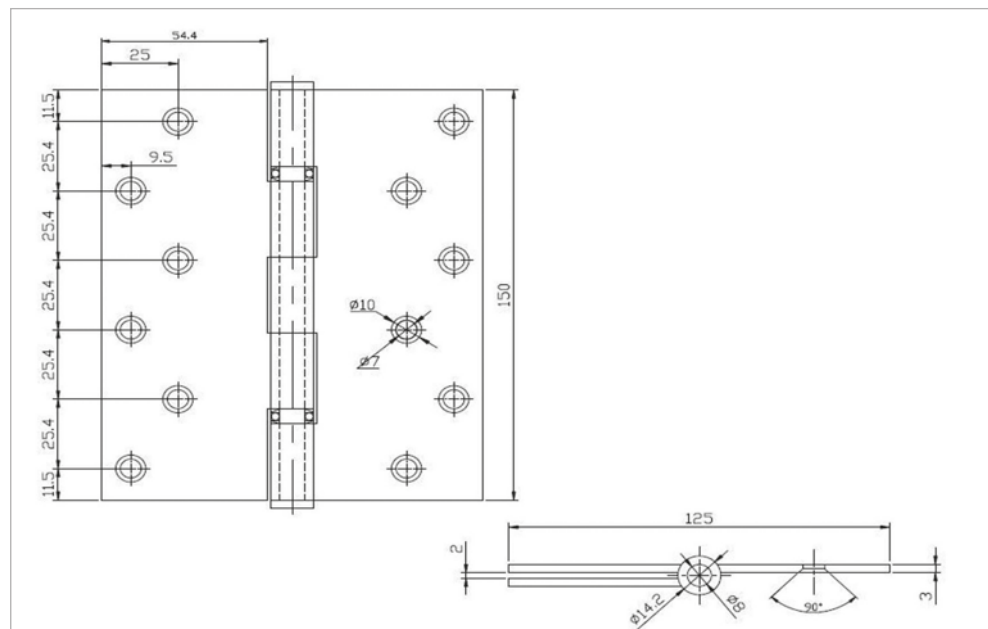
CR.BPA10086B

P. 30



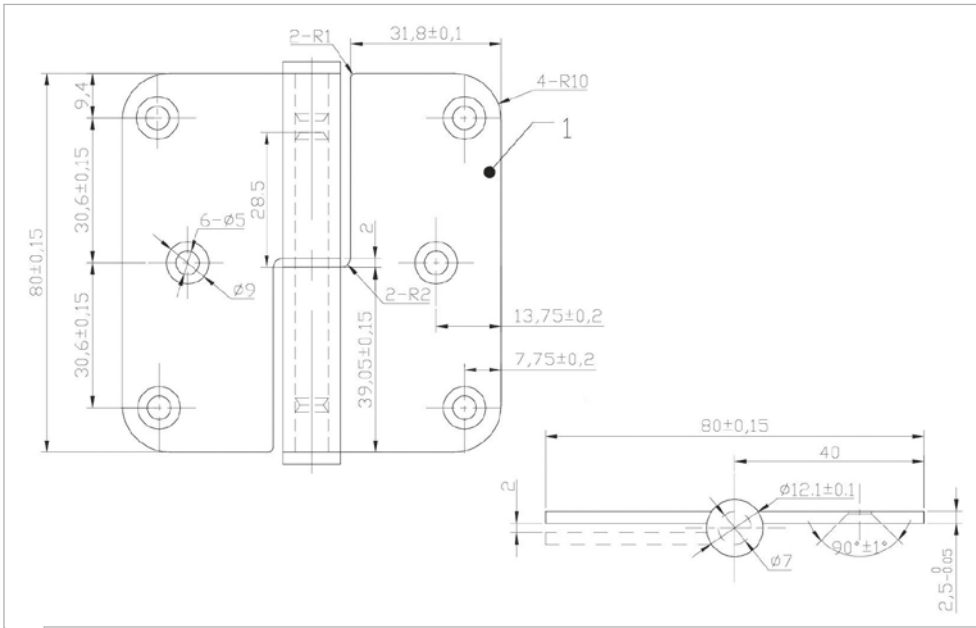
CR.BPA12086

P. 30



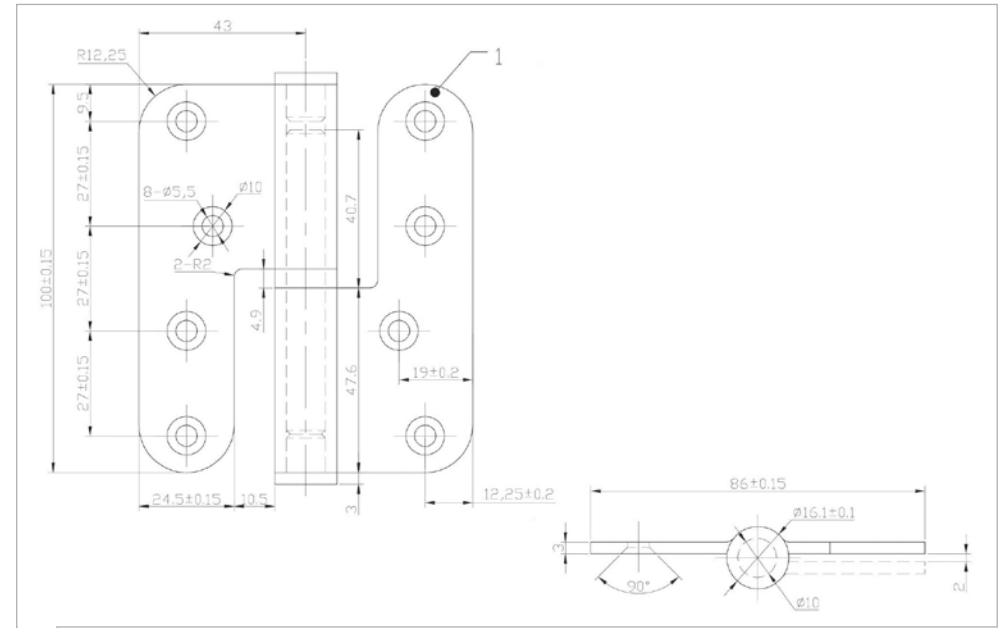
CR.BPA150125BB

P. 30



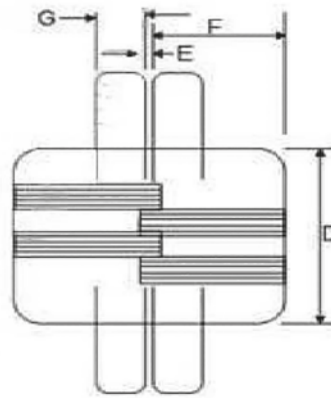
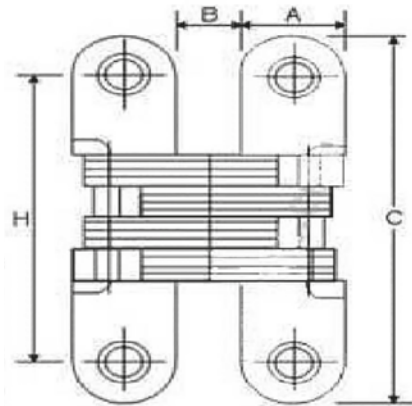
CR.BPA8080.80

P. 30



CR.BPA10086.80

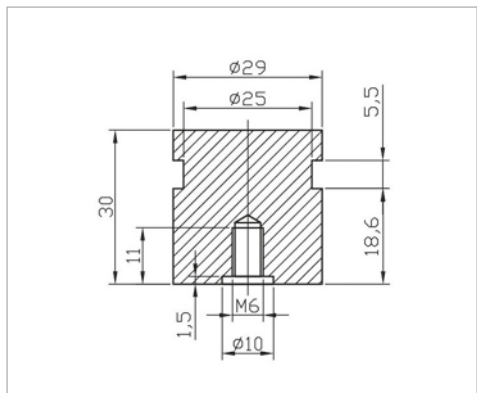
P. 30



Model No	SIZE(mm)								Thickness and Tolerance of Annexent Section
	A	B	C	D	E	F	G	H	
03	12.4	8.8	43.7	18.7	0.8	18.3	4.9	31.7	1.12 ±0.02
04	12.7	8.1	60.4	30	0.8	17.8	5.6	46	1.15 ±0.02
05	15.7	11.5	68.8	33.7	1.0	22.7	7.0	51.8	1.45 ±0.02
06	18.4	12.6	94	54.5	1.0	26.8	8.7	74	1.95 ±0.02
07	24.7	18	115.8	63.8	1.23	36.5	10.5	105	2.45 ±0.02
08	27.8	23	116	61.3	1.2	41	9.1	81.2	2.45 ±0.02
								87.8	
09	33.6	28.2	137.2	73.8	1.3	49.5	11	113.5	2.45 ±0.02
								102.4	

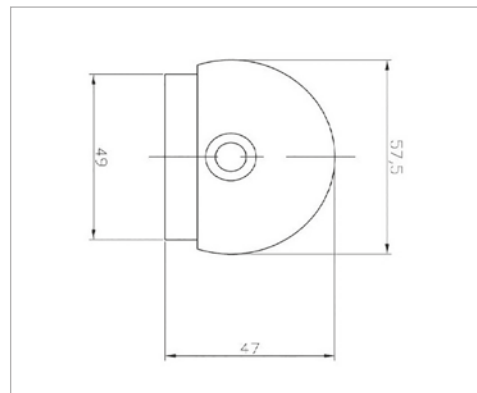
CR.BPA.INCC

P. 30



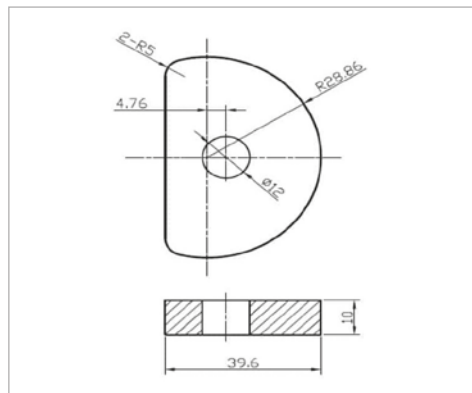
CR.BDS005

P. 34



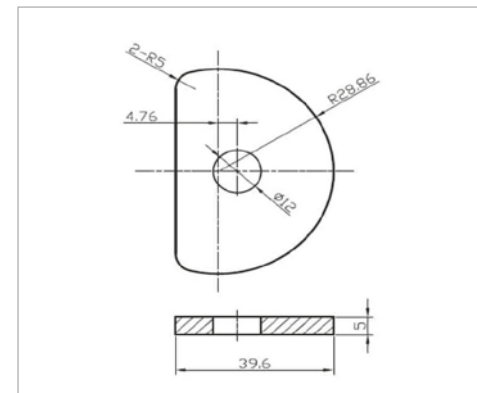
CR.BDS70

P. 34



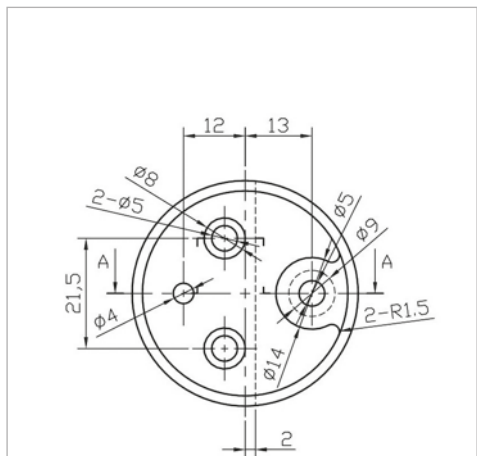
CR.BDS70/10

P. 34



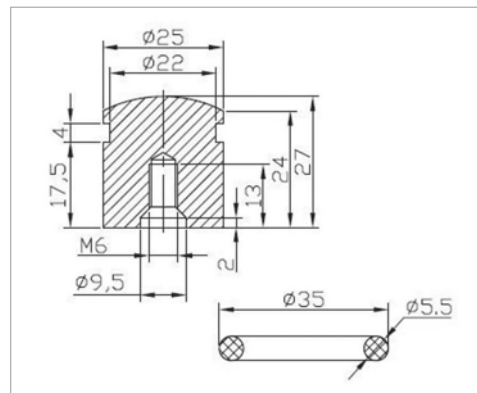
CR.BDS70/5

P. 34



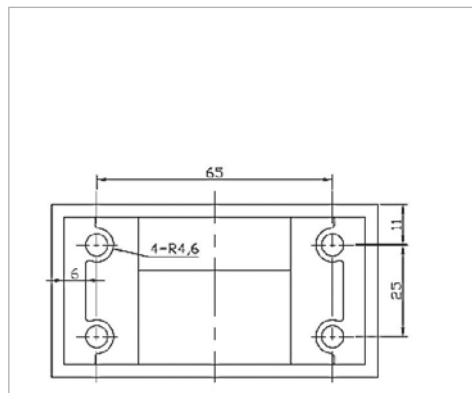
CR.BDS001

P. 34



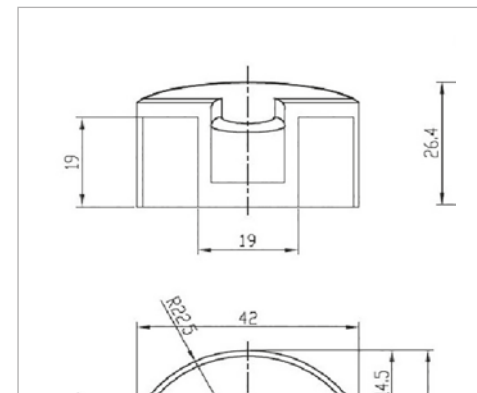
CR.BDS063

P. 34



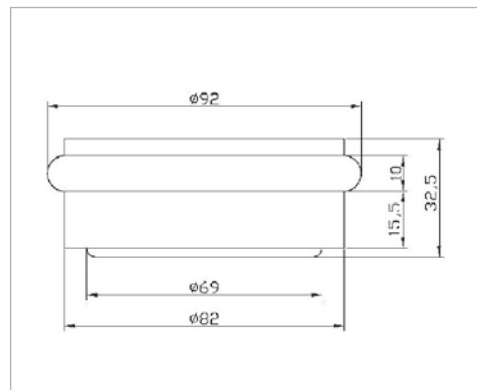
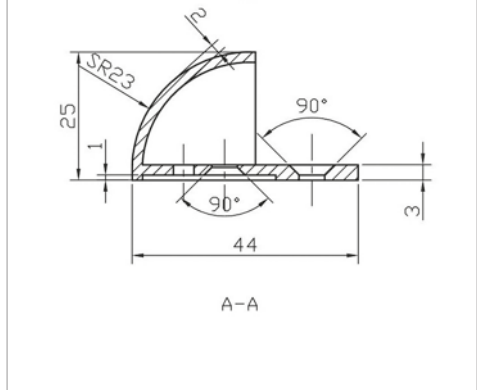
CR.BDS72

P. 34



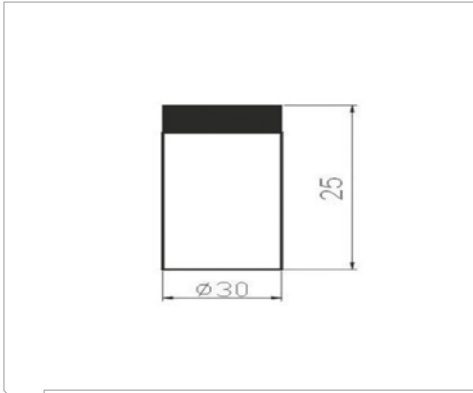
CR.BDS76

P. 34



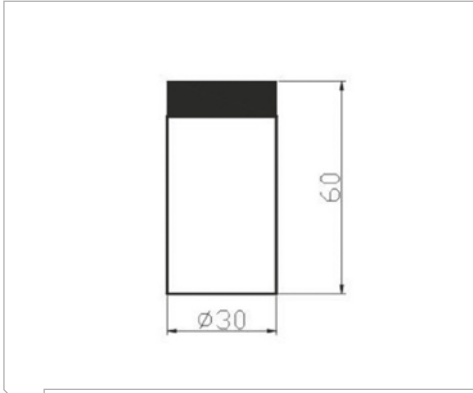
CR.BDS73

P. 34



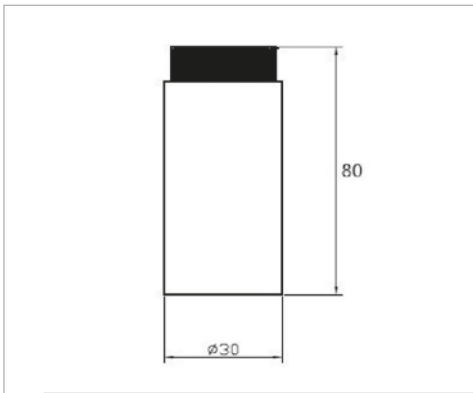
CR.BDS25

P. 35



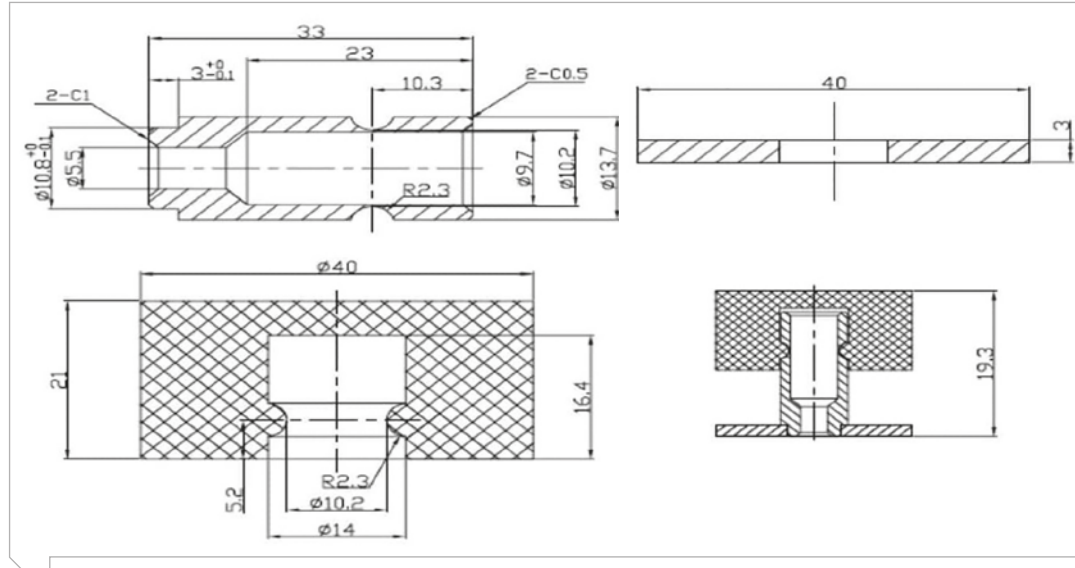
CR.BDS60

P. 35



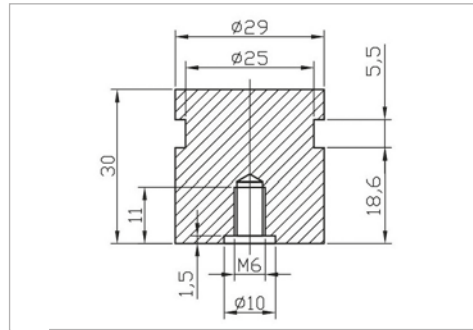
CR.BDS80

P. 35



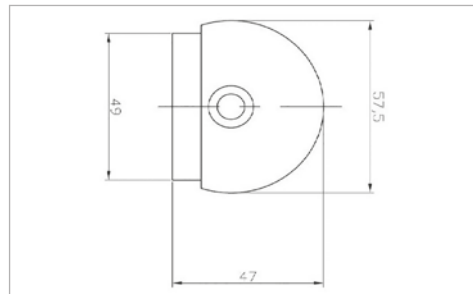
CR.BDS8

P. 34



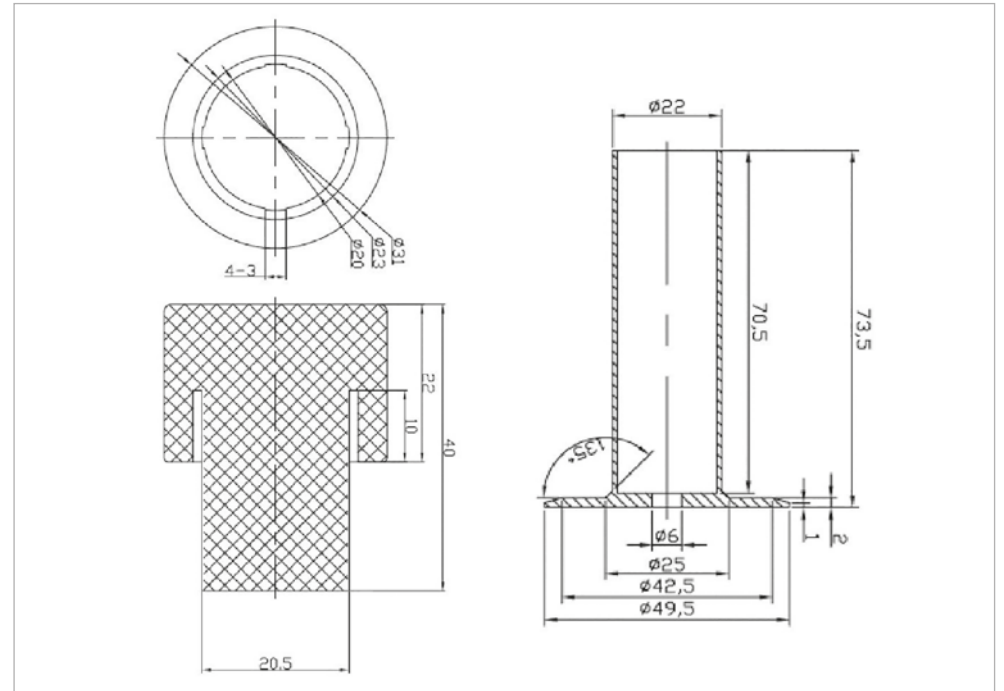
CR.BDS005.80

P. 35



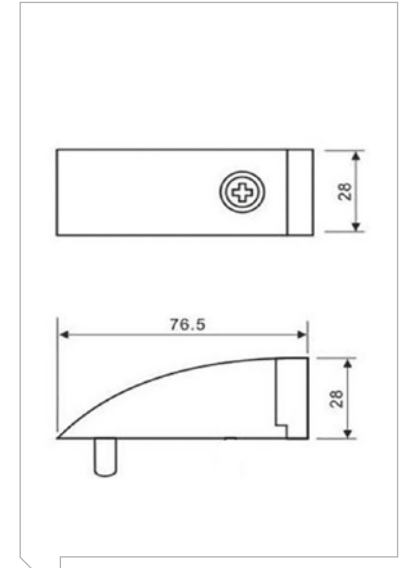
CR.BDS70.80

P. 35



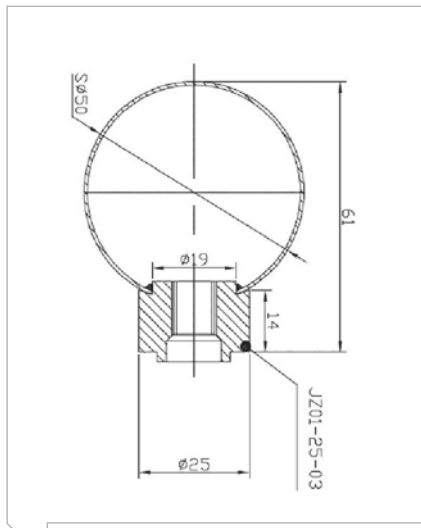
CR.BWS071

P. 35



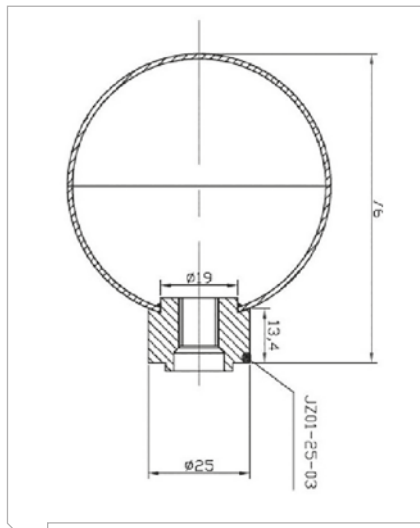
CR.BWS077

P. 35



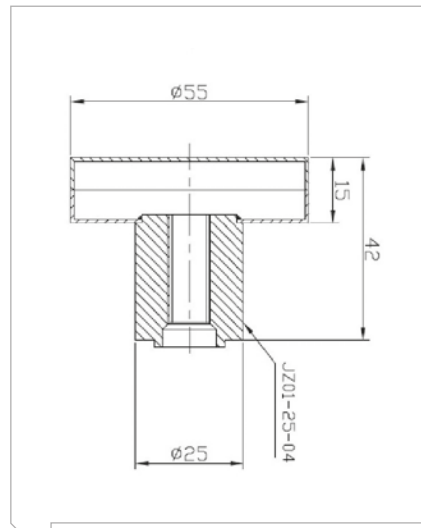
CR.FK004.50

P. 38



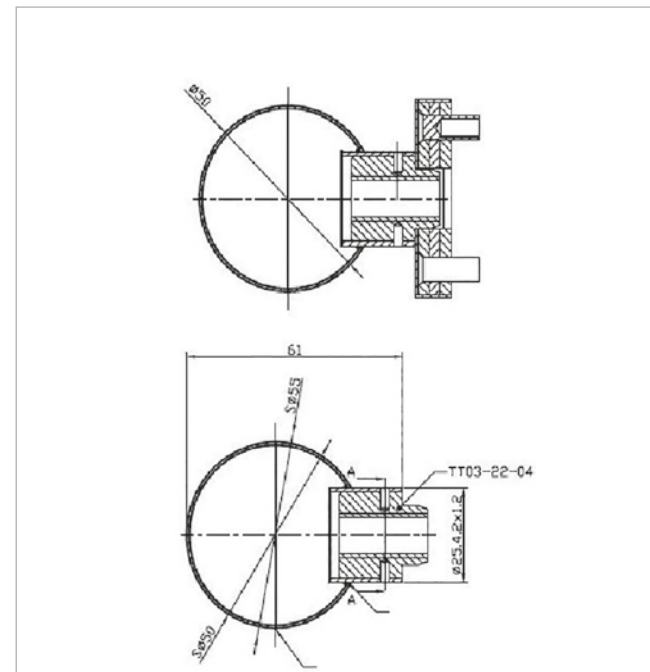
CR.FK004.65

P. 38



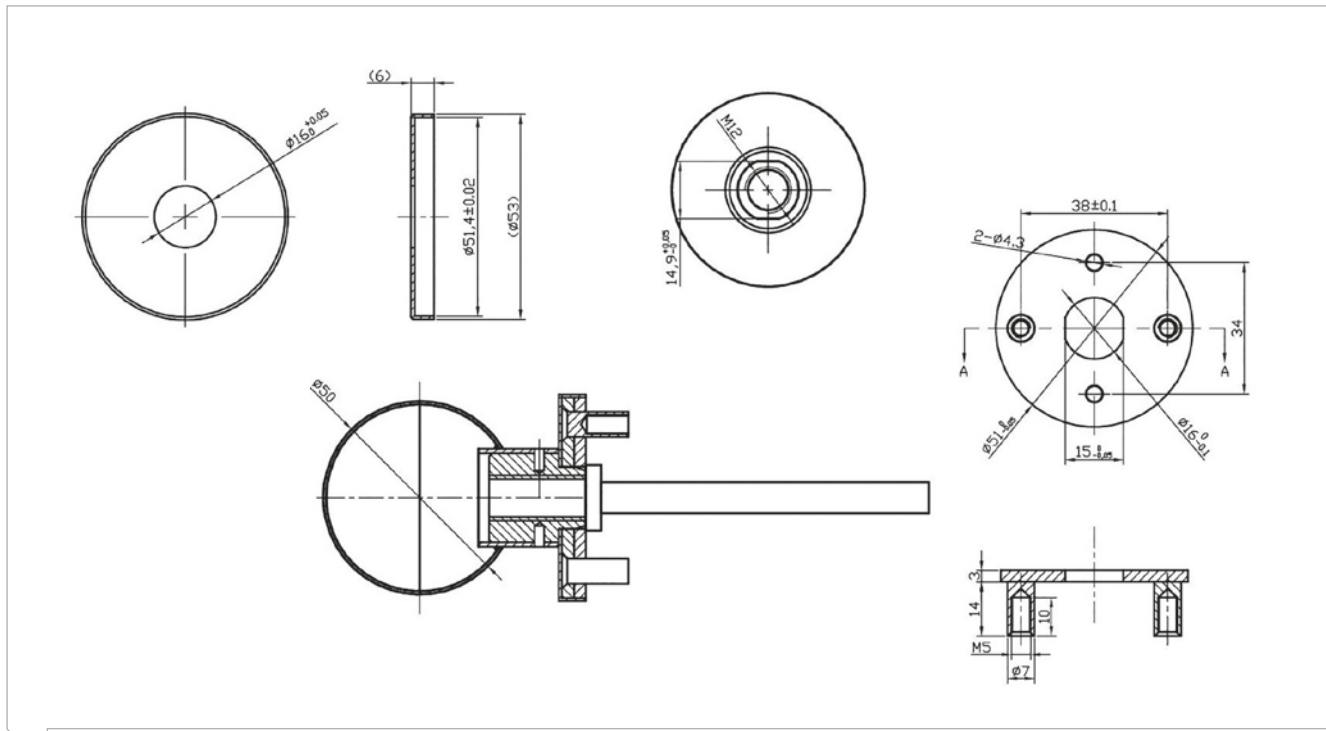
CR.FK006.50

P. 38



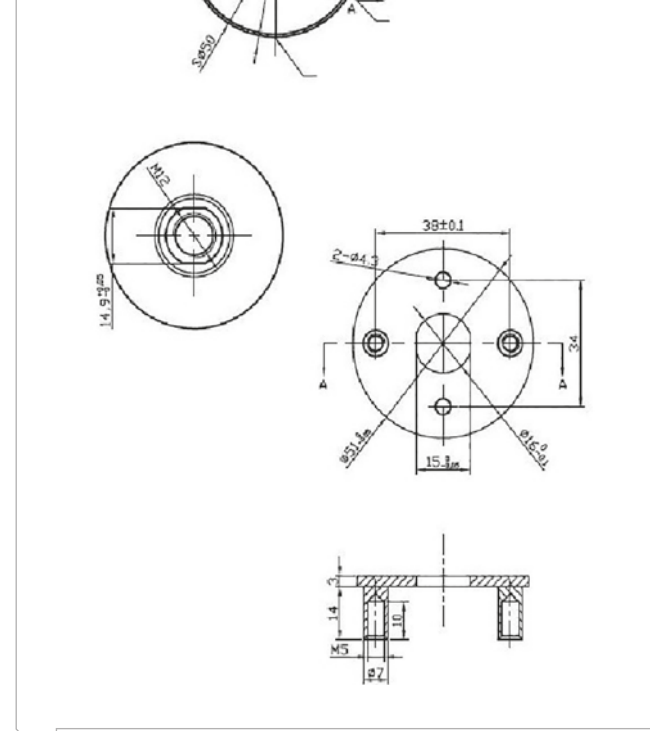
CR.FK004FT.50

P. 38



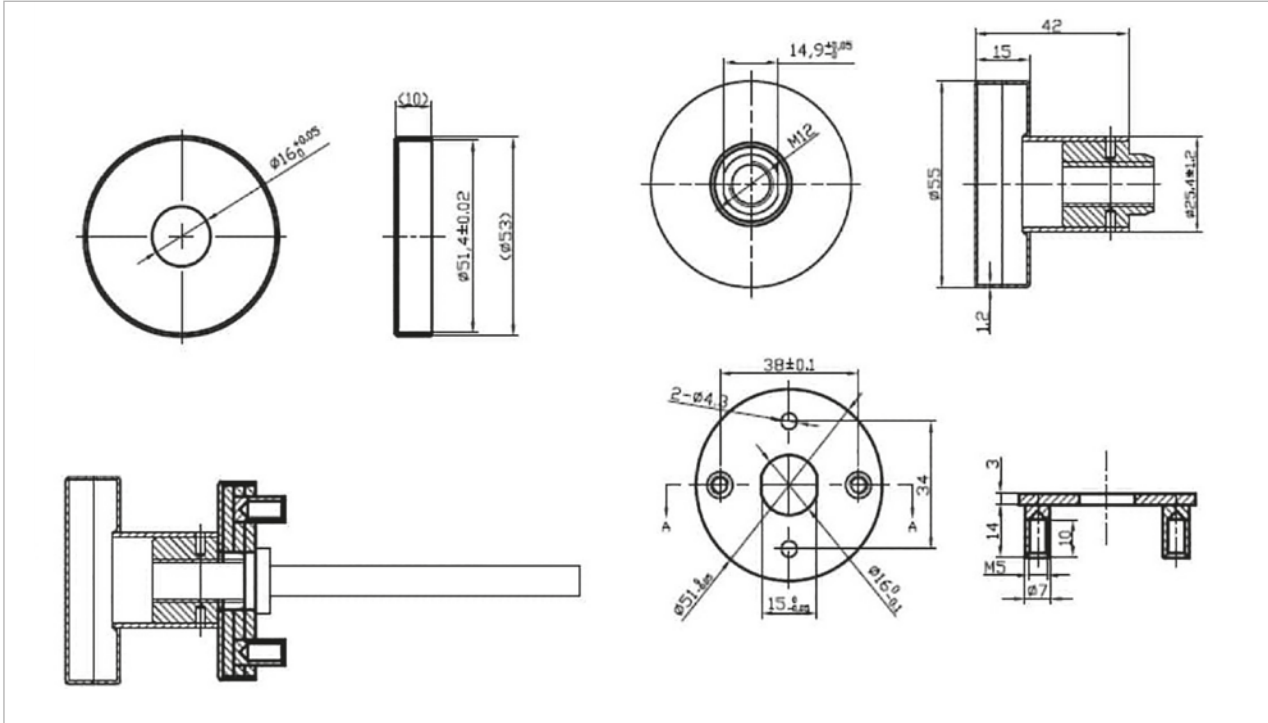
CR.FK004FT.50/06

P. 38



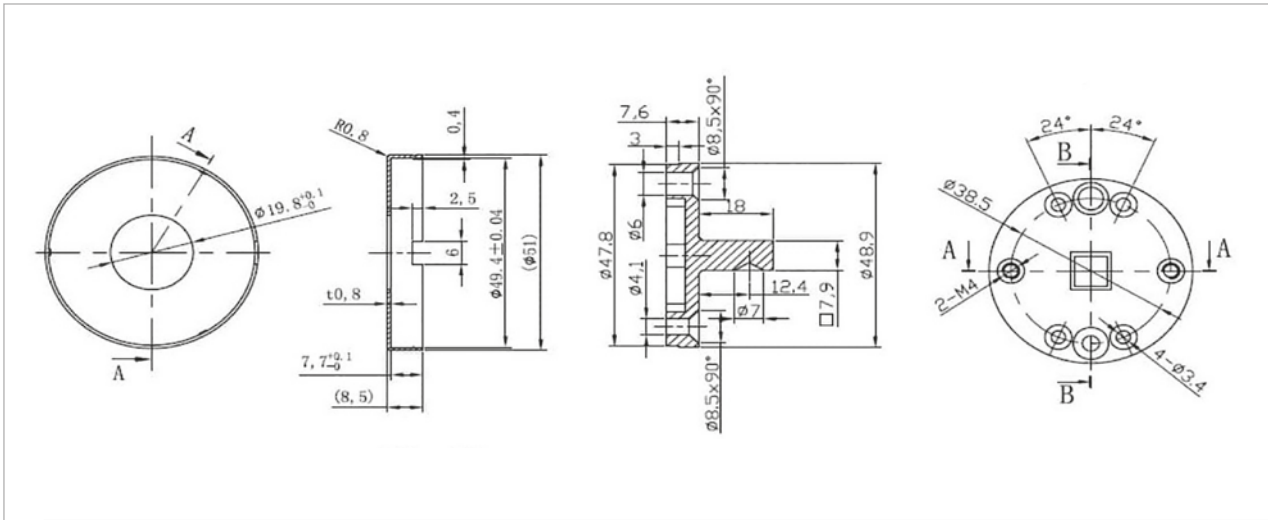
CR.FK004FT.50

P. 38



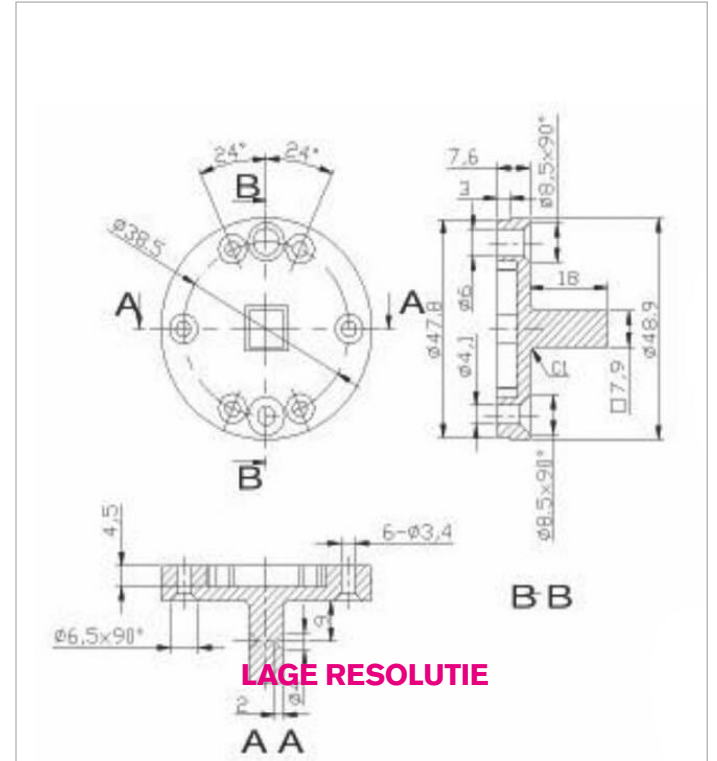
CR.FK006FT.50

P. 38



CR.FSKF

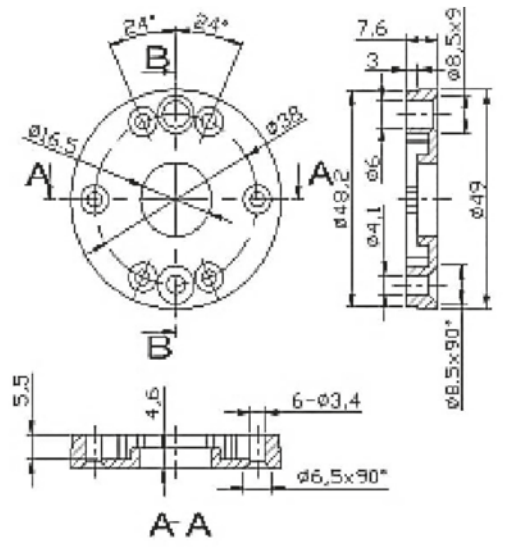
P. 38



LAGE RESOLUTIE

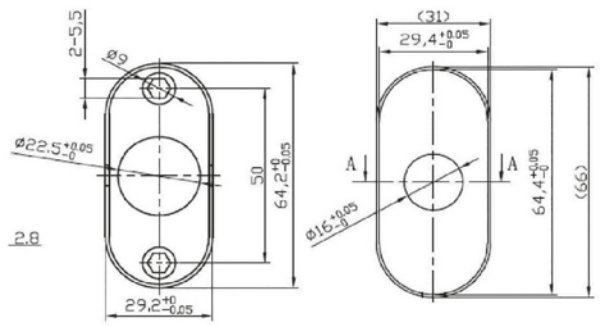
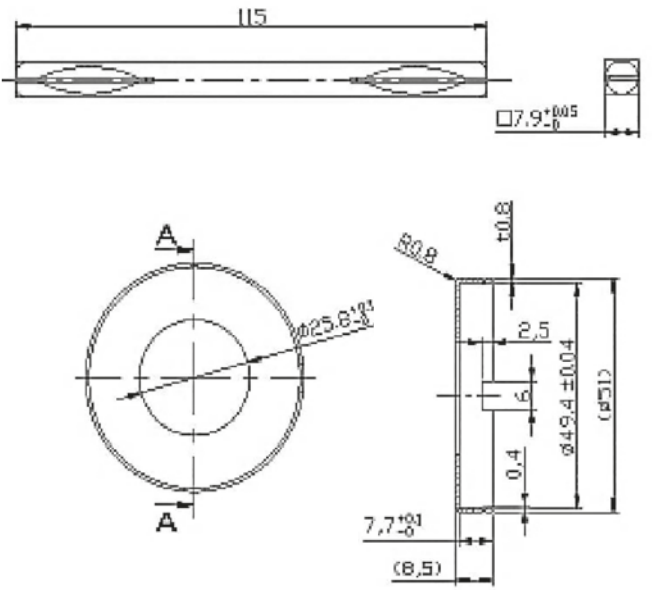
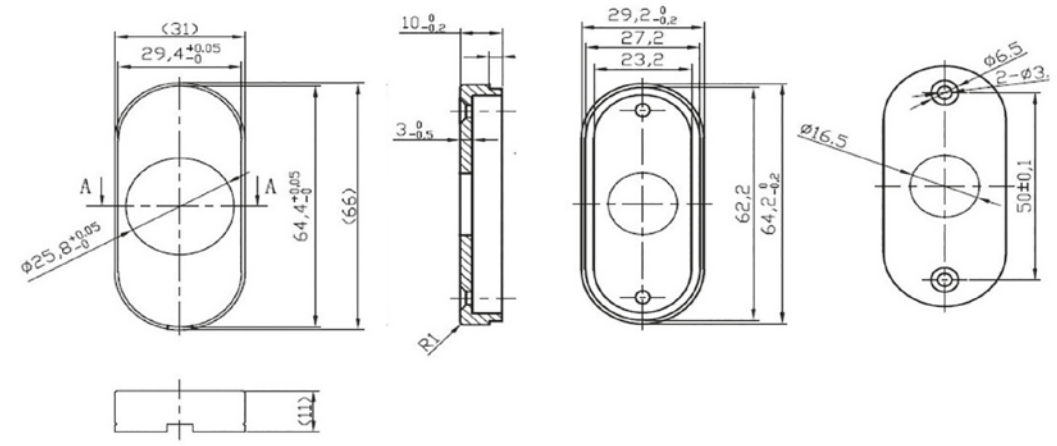
CR.FK004FT.50

P. 38



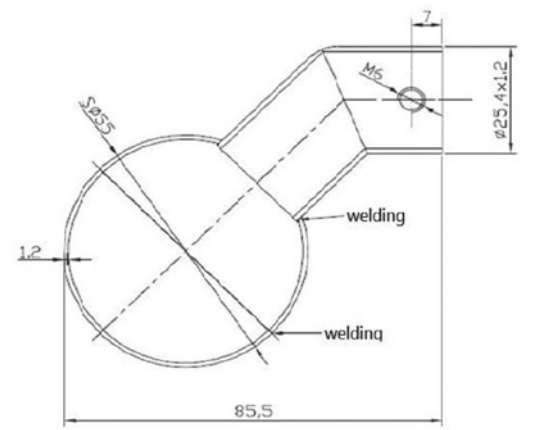
CR.FSKT.OV

P. 38



CR.FSKF.OV

P. 38

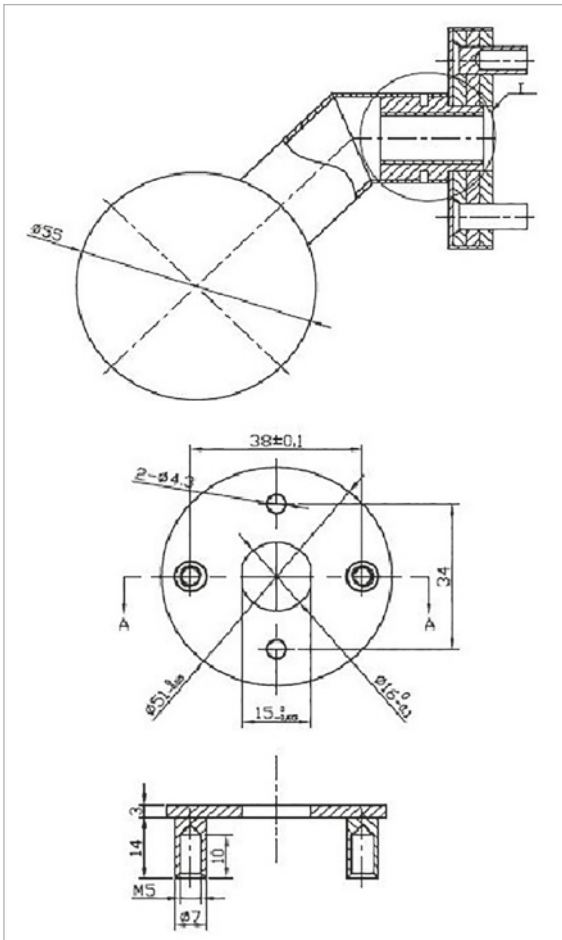


CR.LH068.50

P. 39

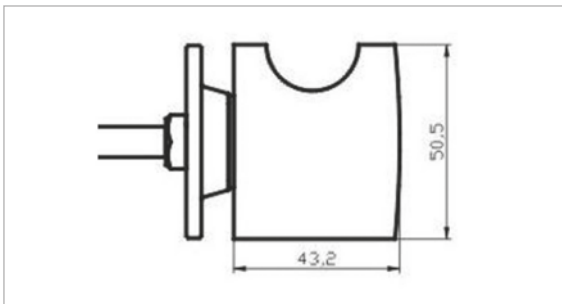
CR.FSKT

P. 38



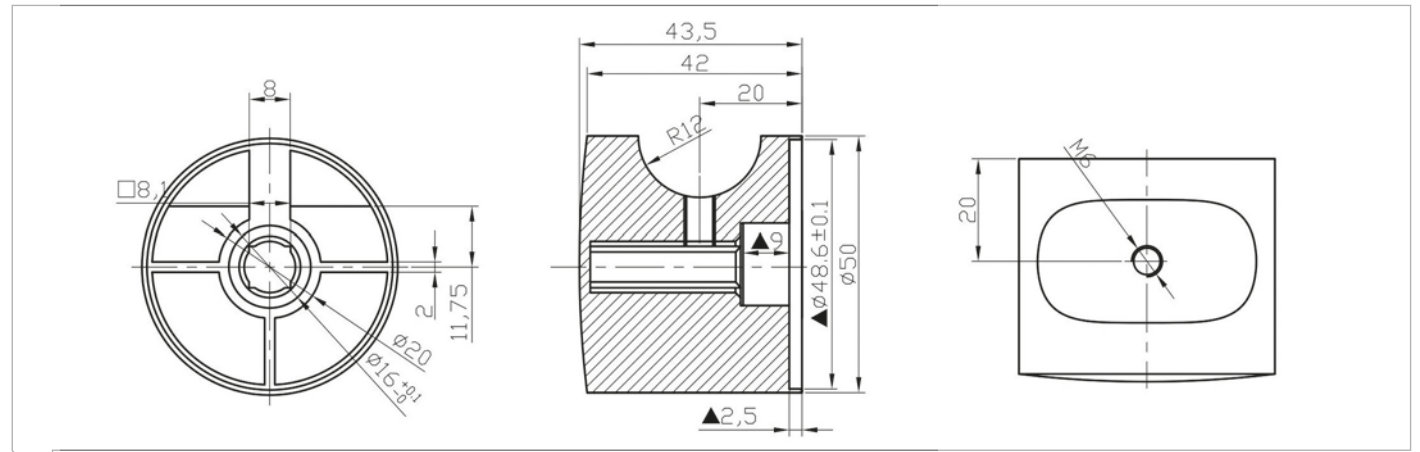
CR.LH068FT.50

P. 39



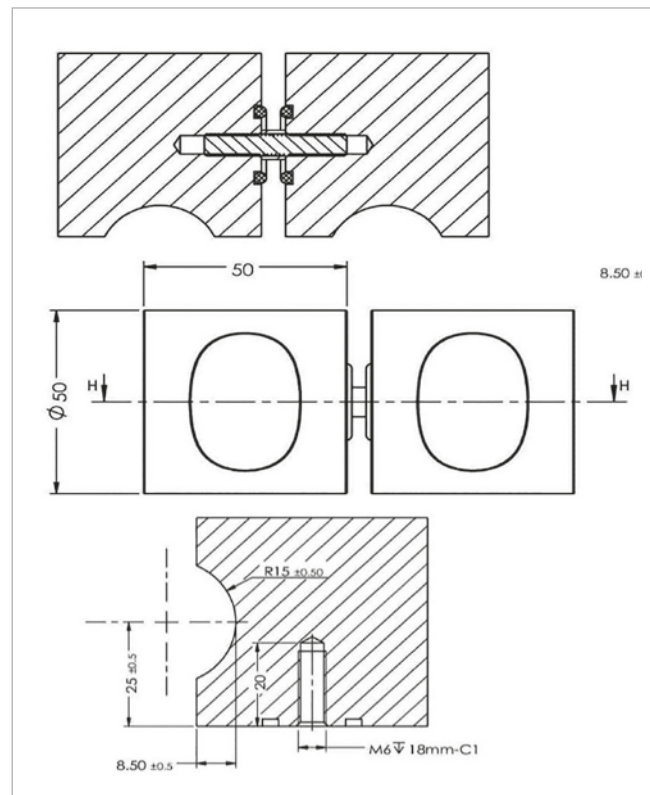
CR.PK008F.52

P. 39



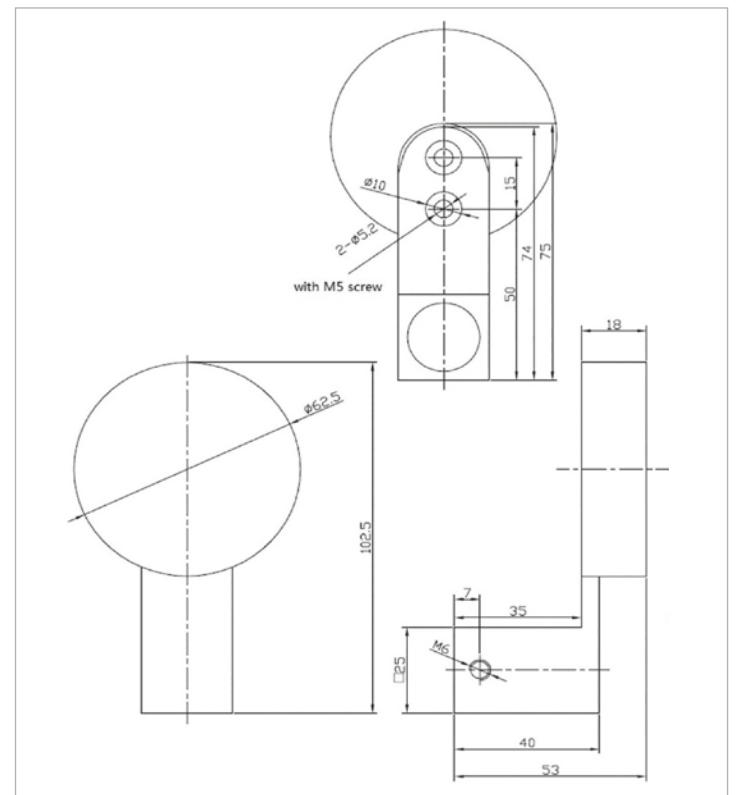
CR.PK008G.52

P. 39



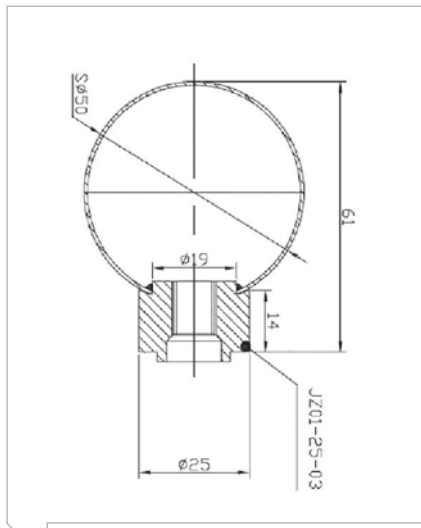
CR.WL.FH105SS

P. 39

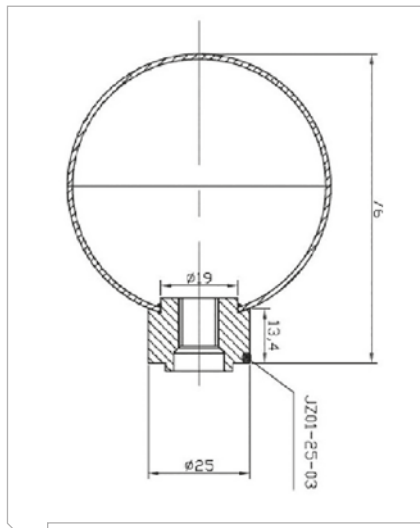


CR.FK010.50

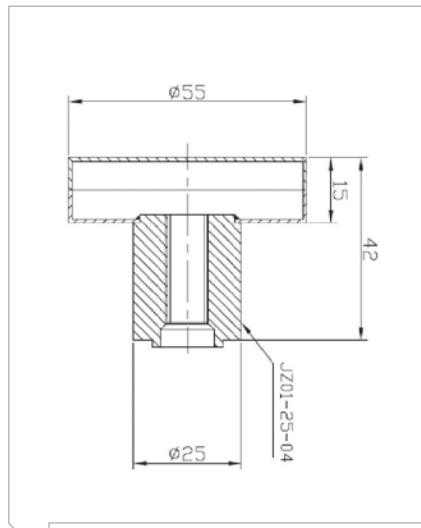
P. 39



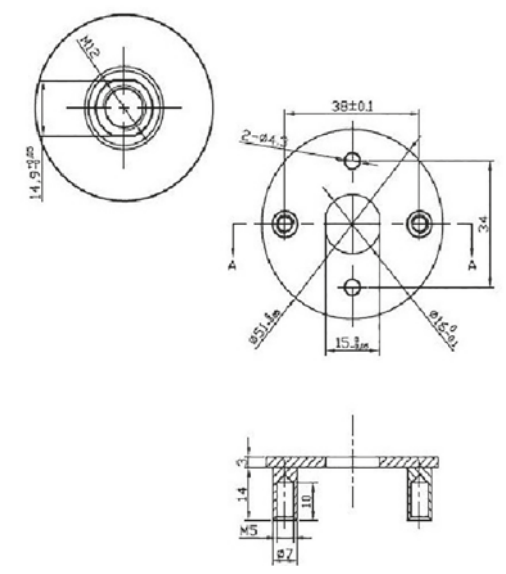
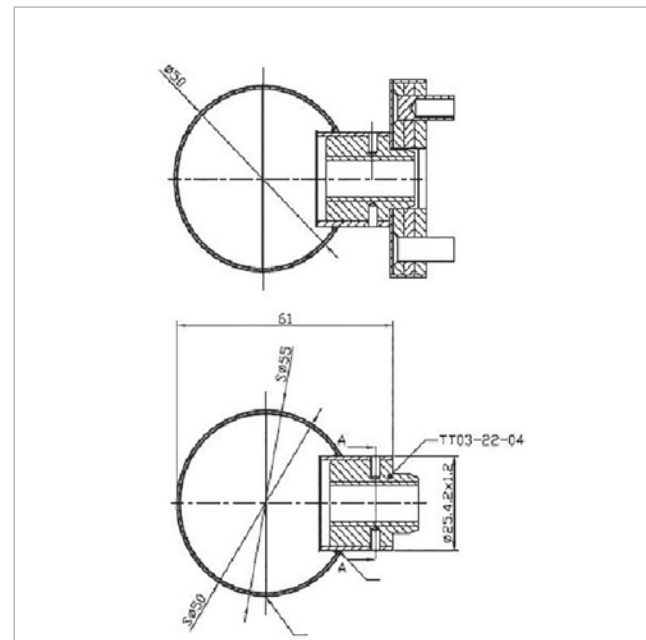
CR.FK004.50/80M P. 40



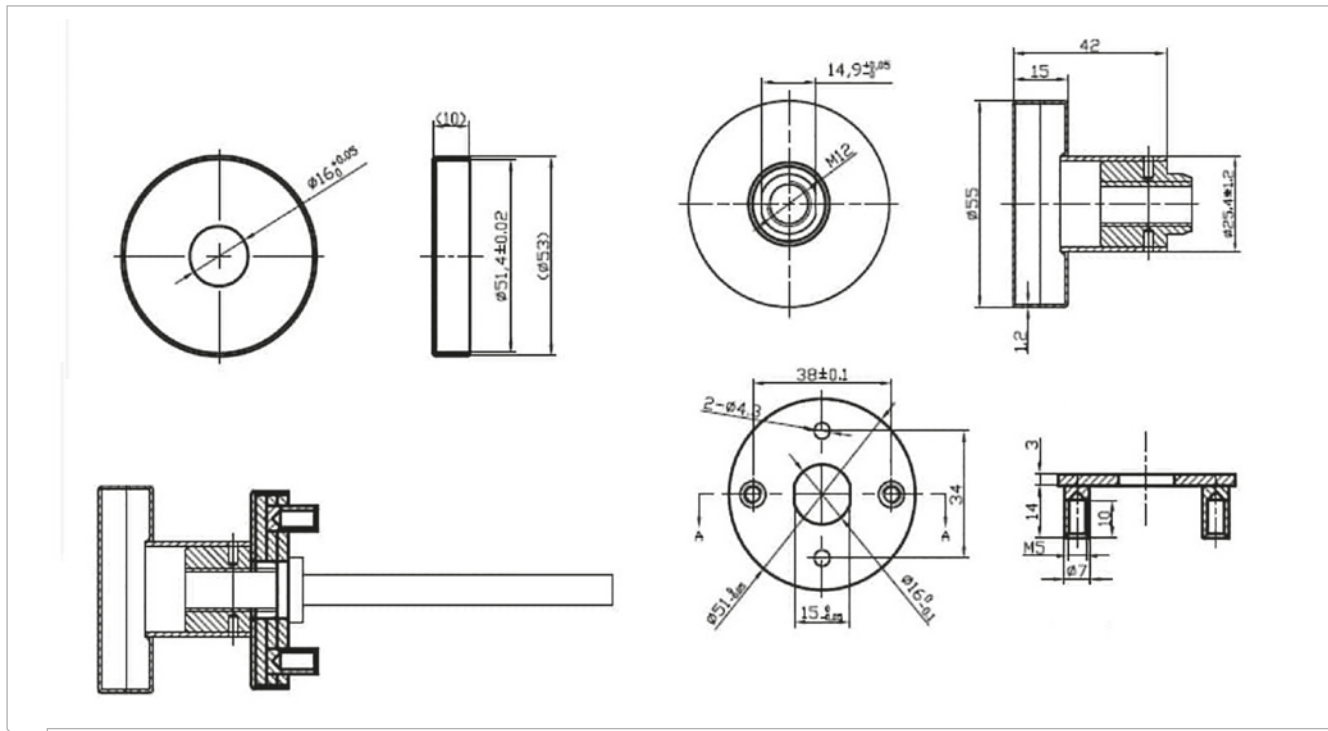
CR.FK004.65/80M P. 40



CR.FK006.50/80M P. 40

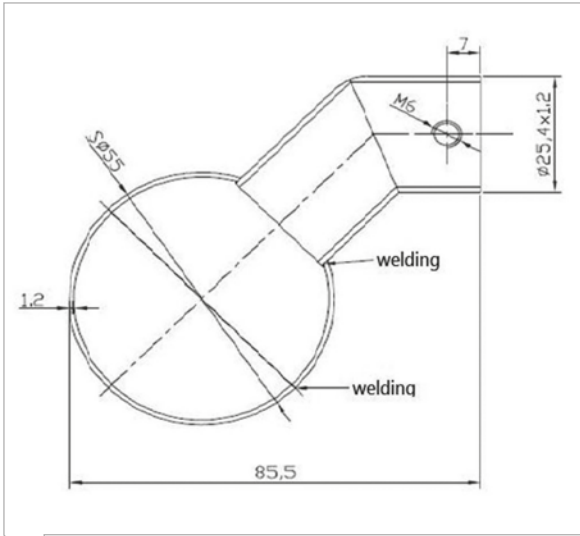


CR.FK004FT.50/80M P. 40



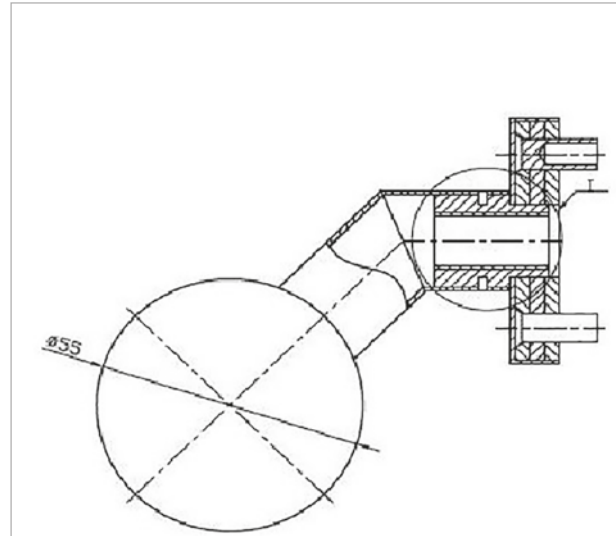
CR.FK006.50/80M P. 40

CR.FK006FT.50/80M



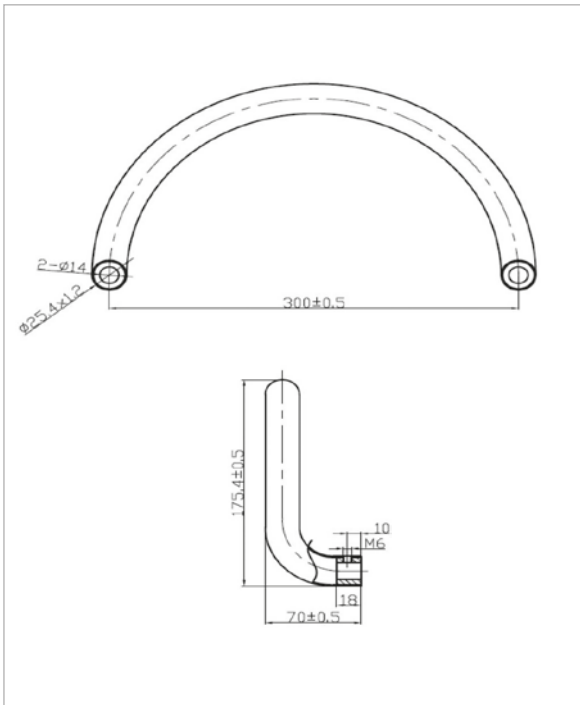
CR.LH068.50/80M

P. 40



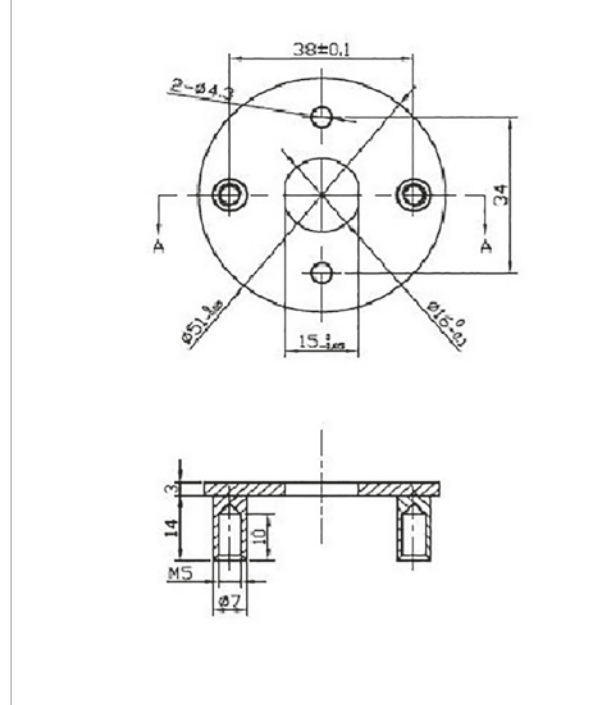
CR.LH068FT.50/80M

P. 40



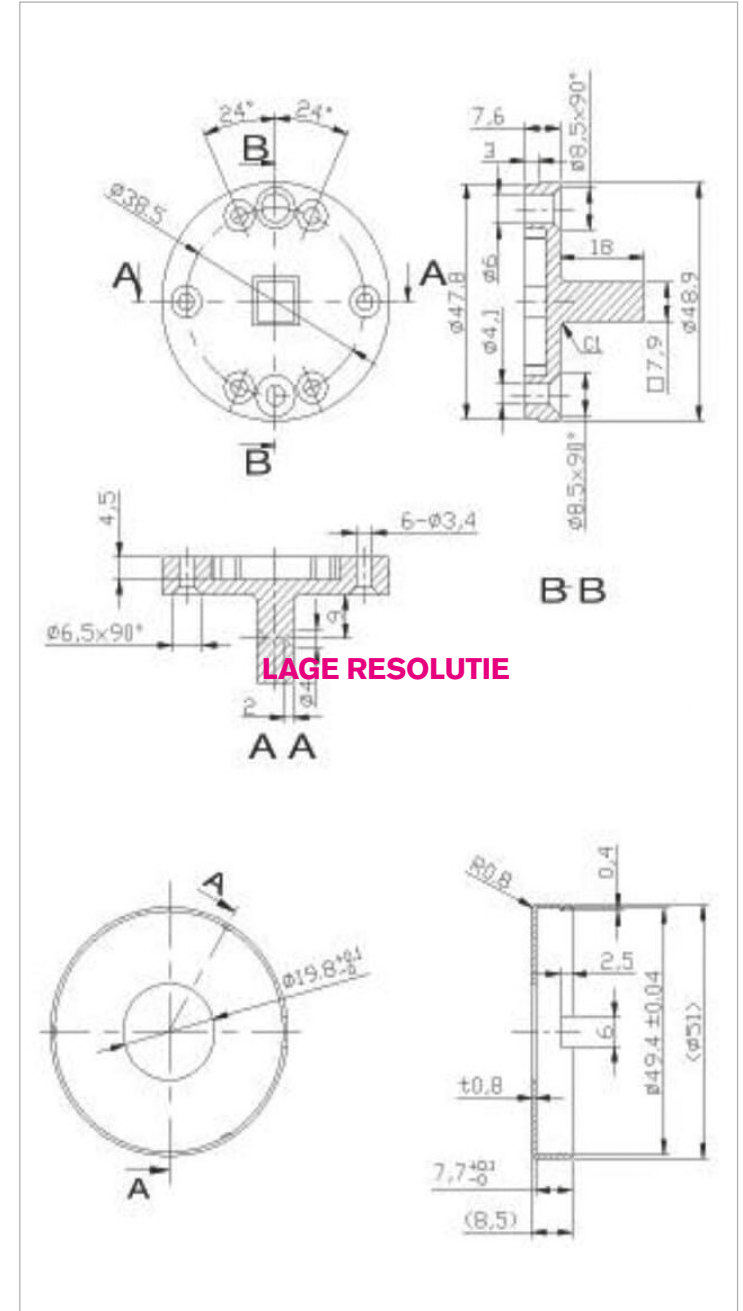
CR.DOCH25A300

P. 46

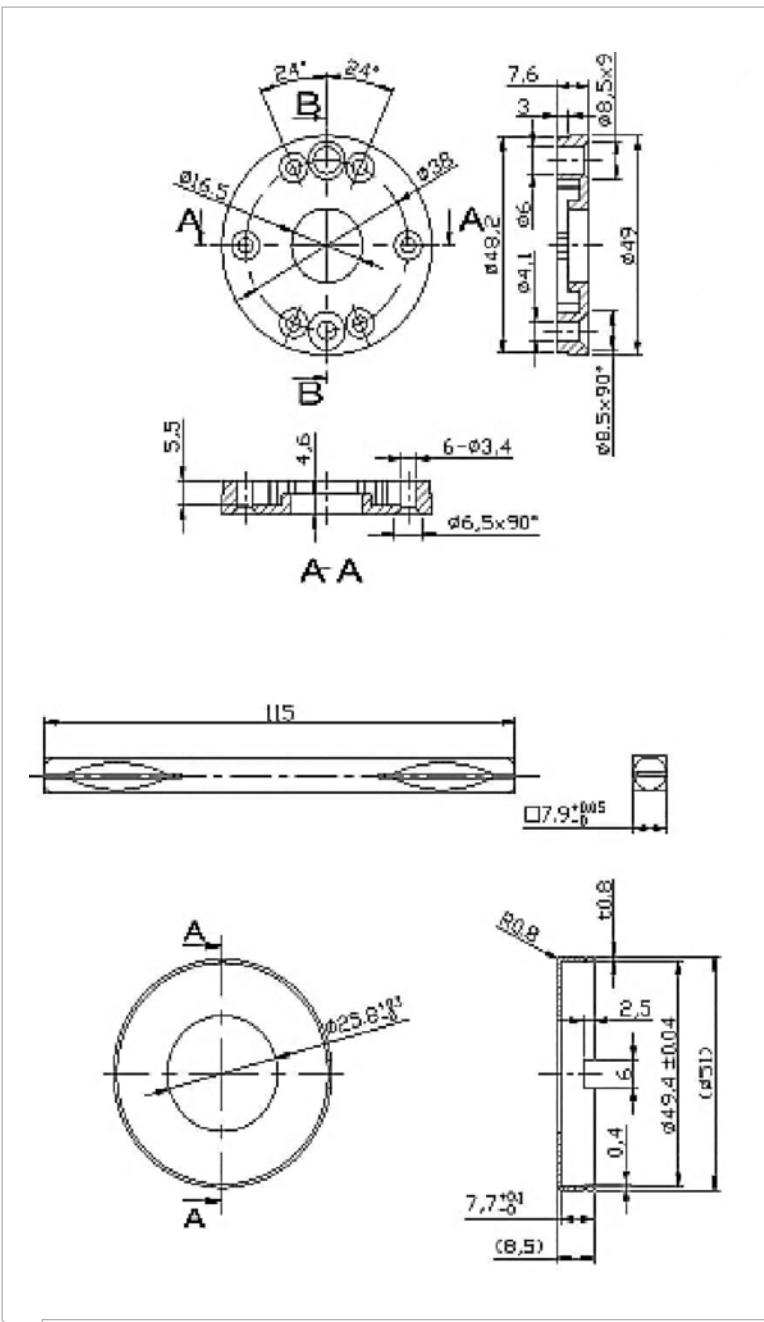


CR.FSKF/80M

P. 40

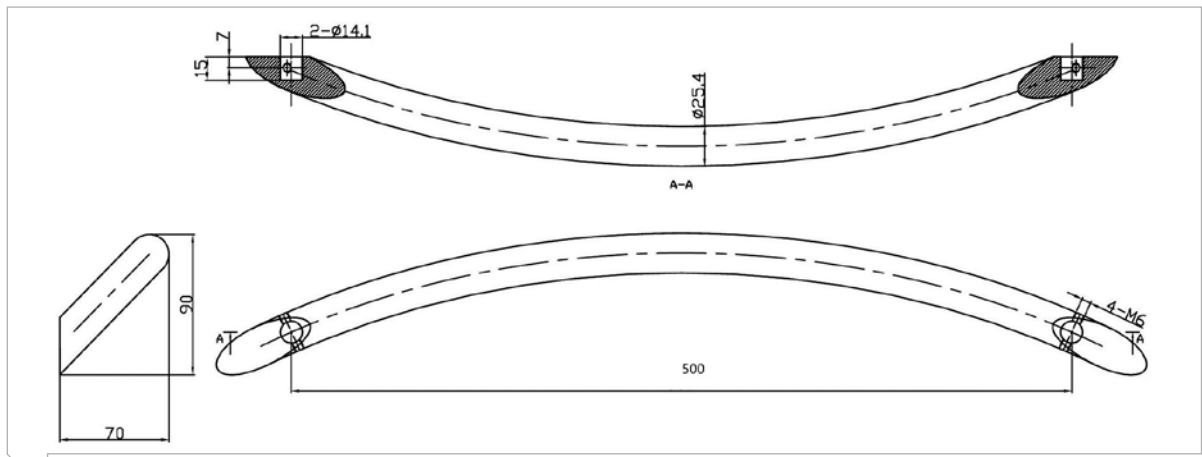


LAGE RESOLUTIE



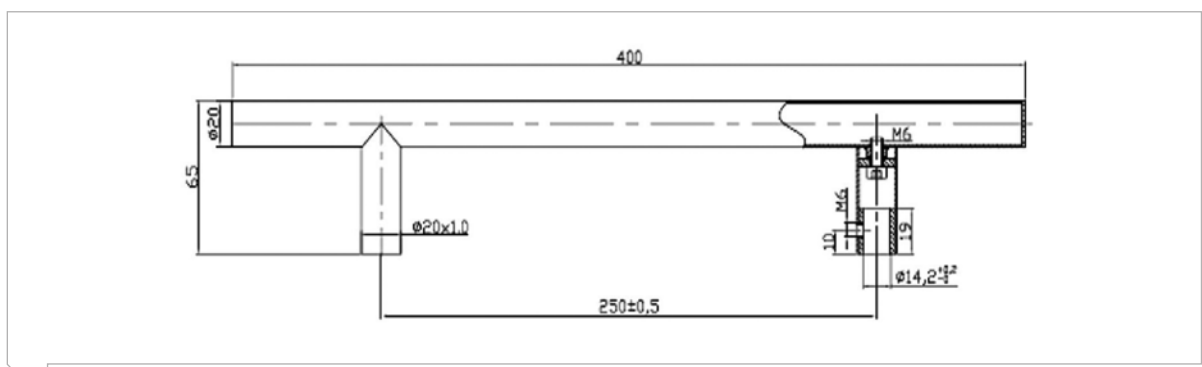
CR.FSKT/80M

P. 40



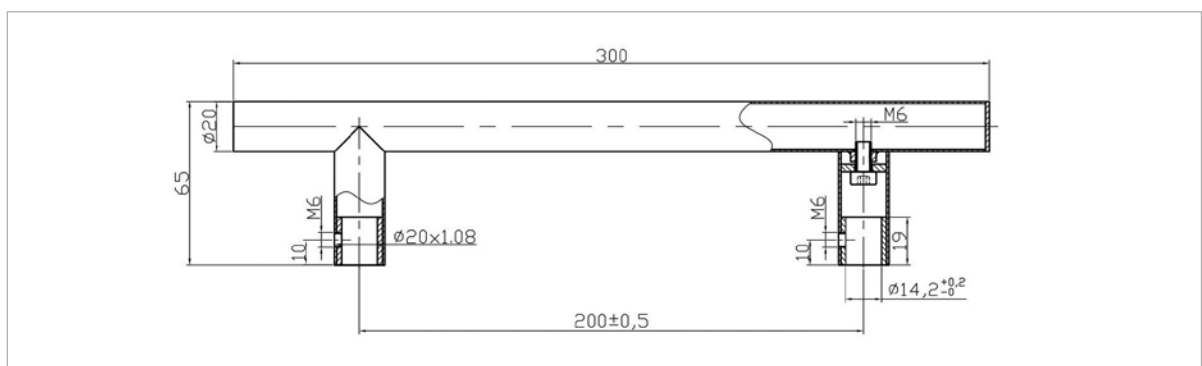
CR.AH25A500

P. 44



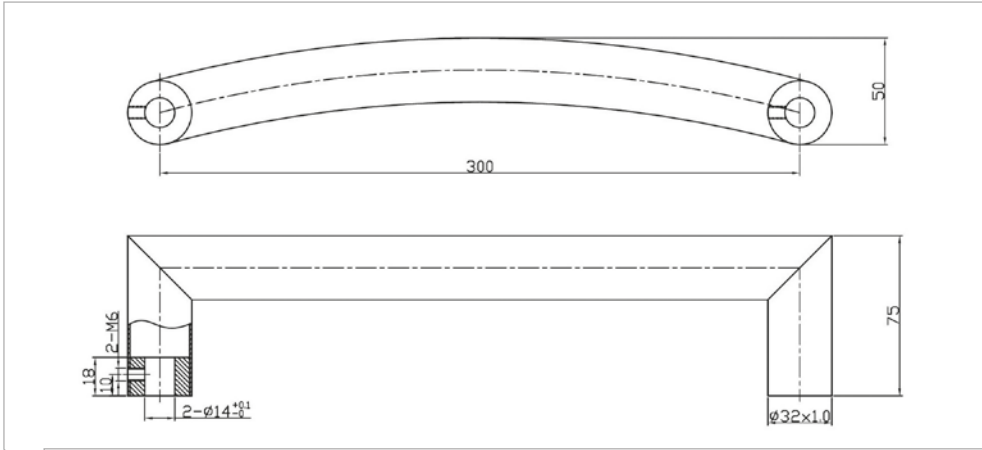
CR.TH20250

P. 44



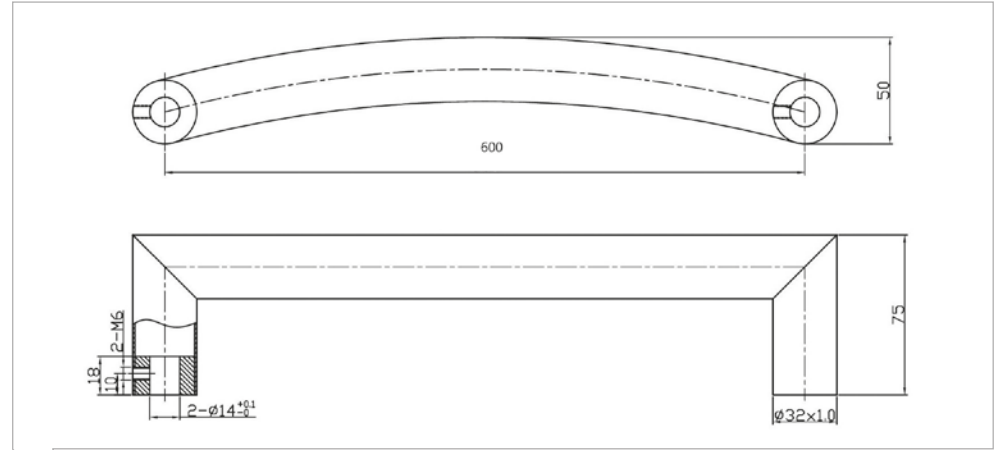
CR.TH20200

P. 44



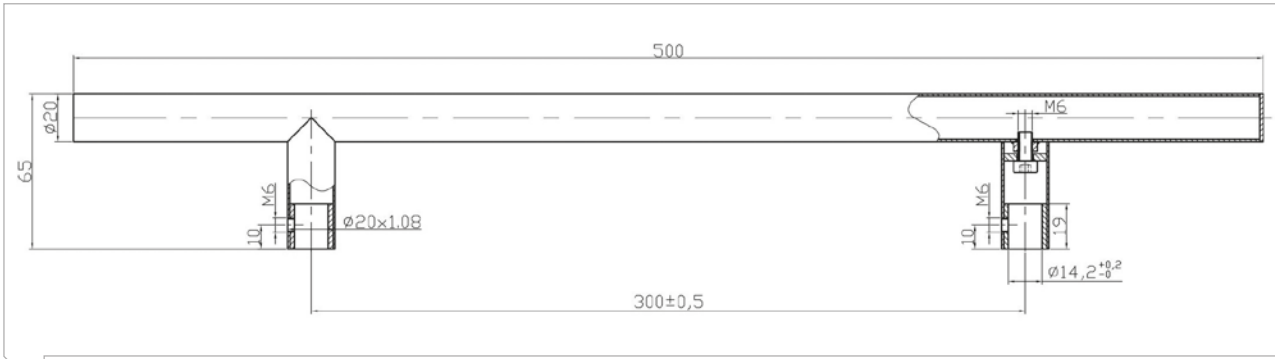
CR.AW30A300

P. 44



CR.AW30A600

P. 44



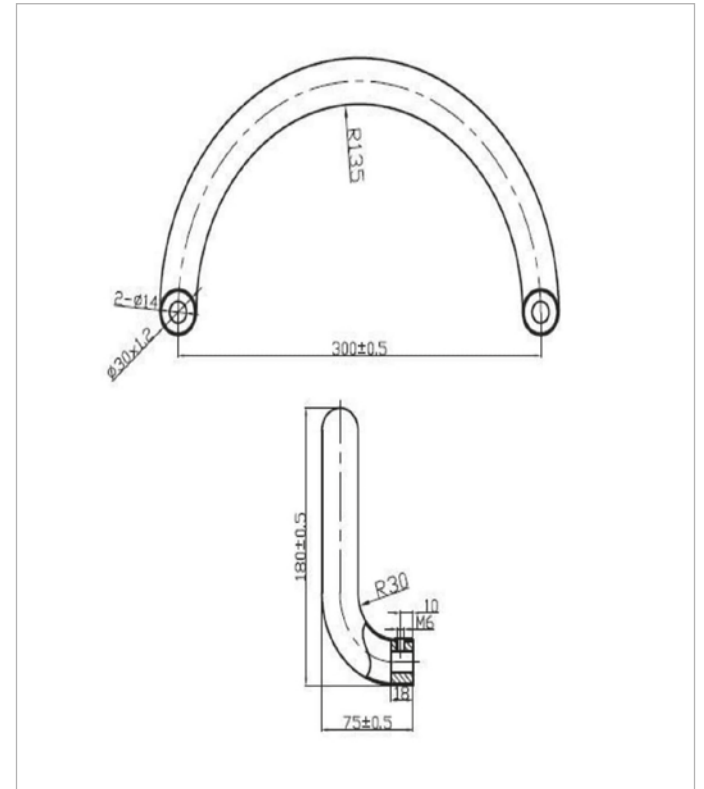
CR.TH20300

P. 44



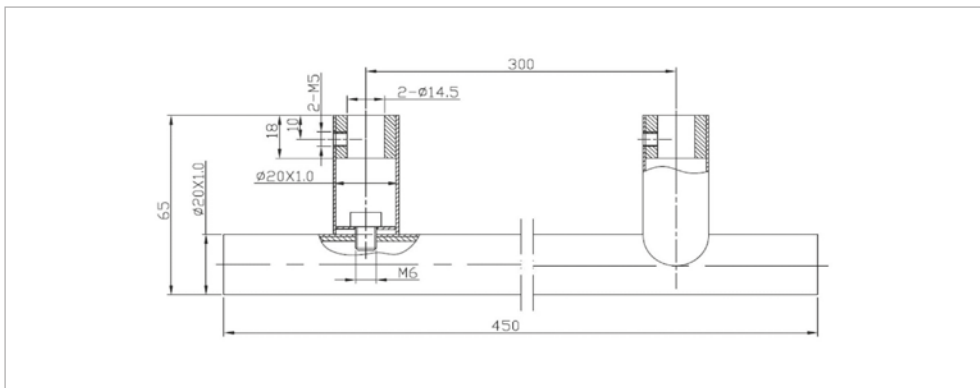
CR.TH25250

P. 44



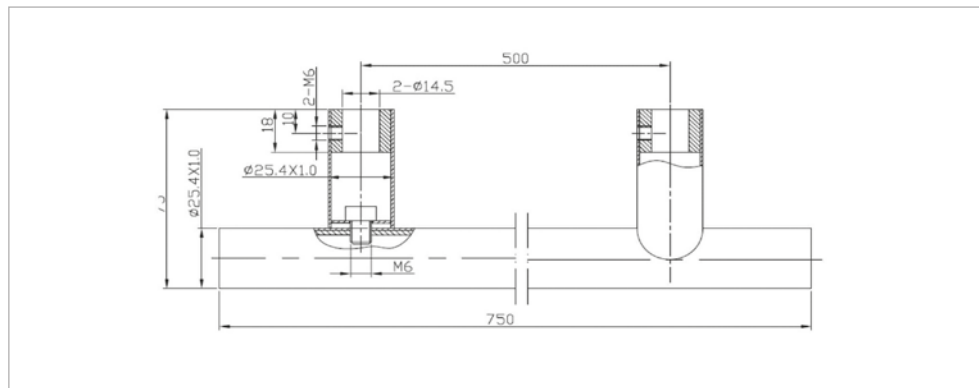
CR.DOCH30A300

P. 46



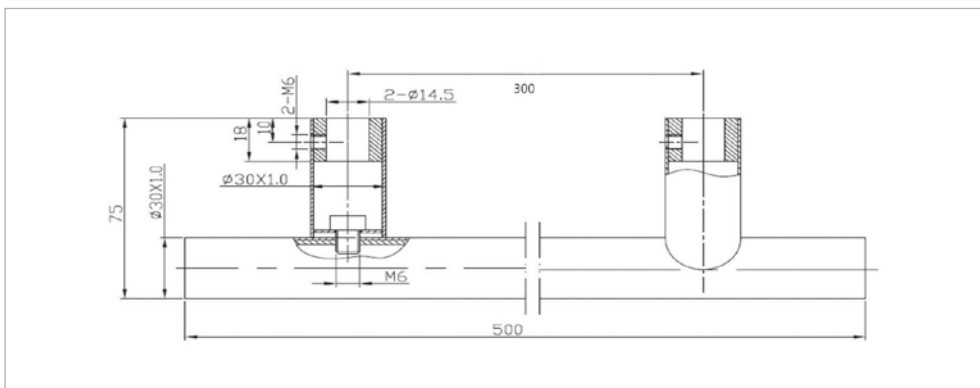
CR.TH25300

P. 44



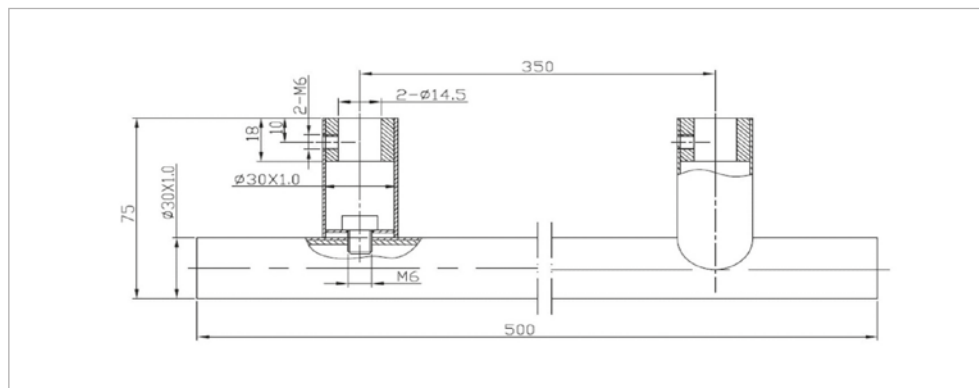
CR.TH25500

P. 44



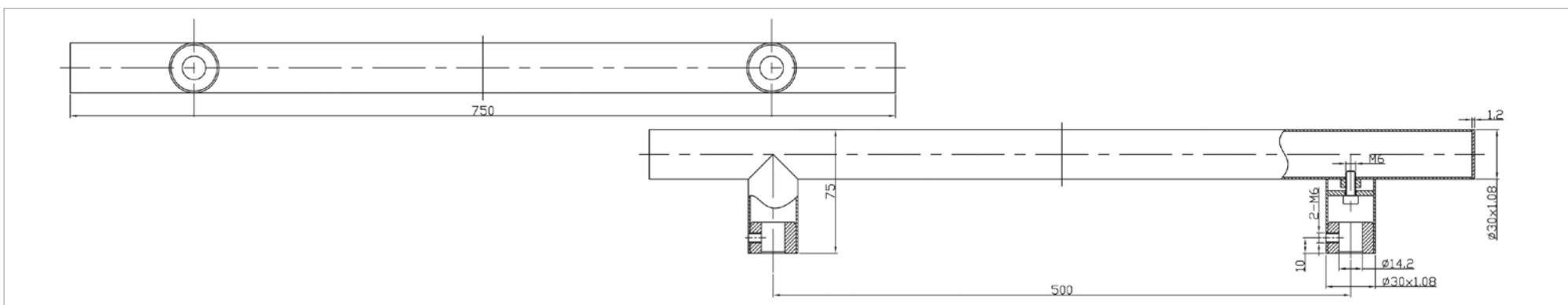
CR.TH30300

P. 45



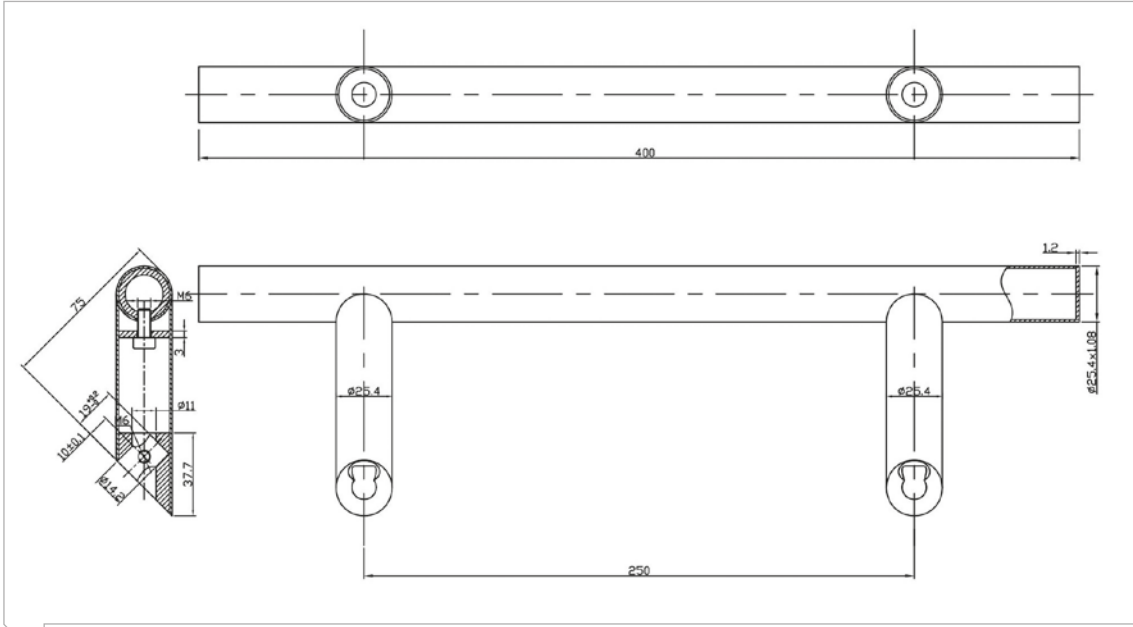
CR.TH30350

P. 45



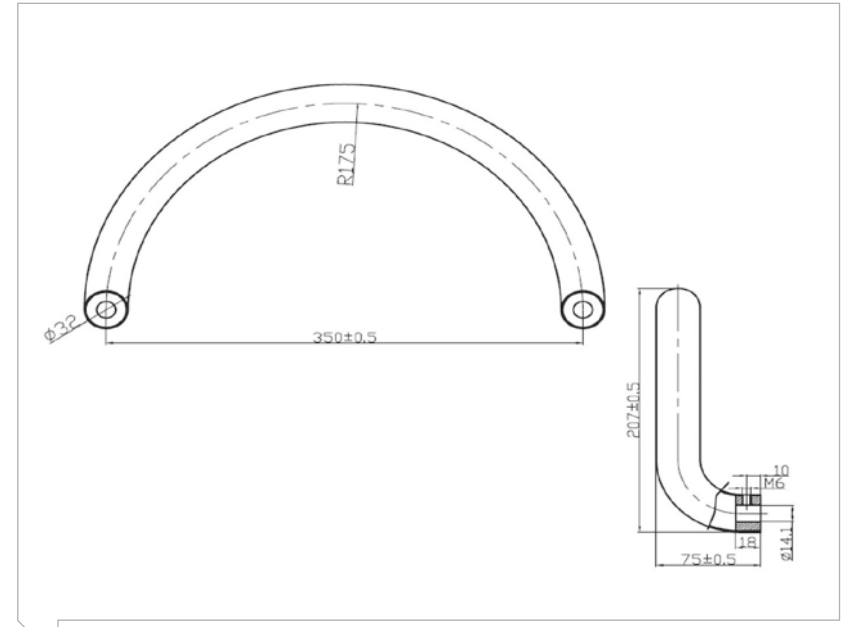
CR.TH30500

P. 45



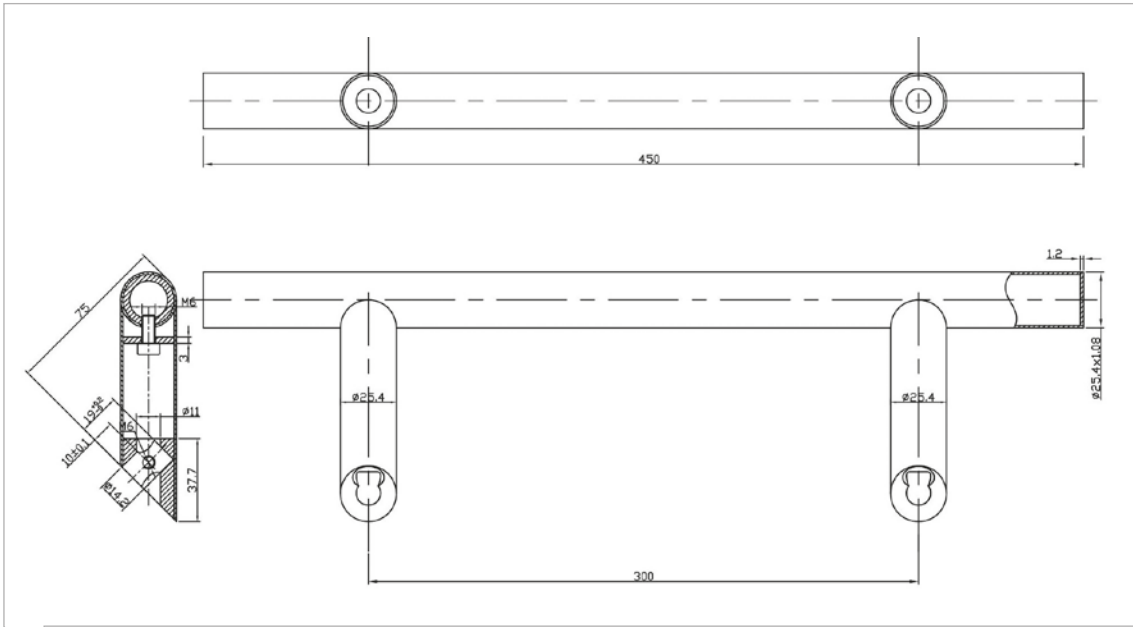
CR.THI25A250

P. 45



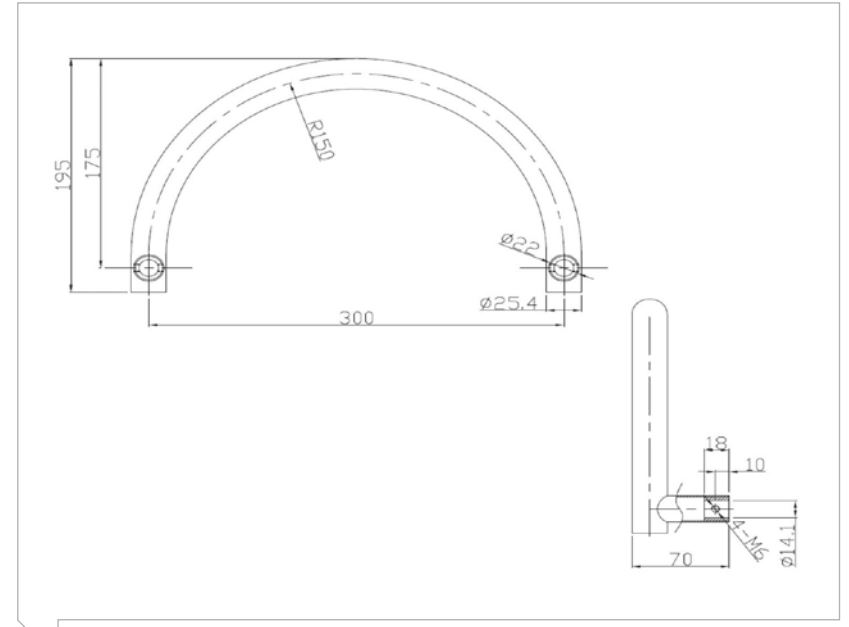
CR.DOCH30A350

P. 46



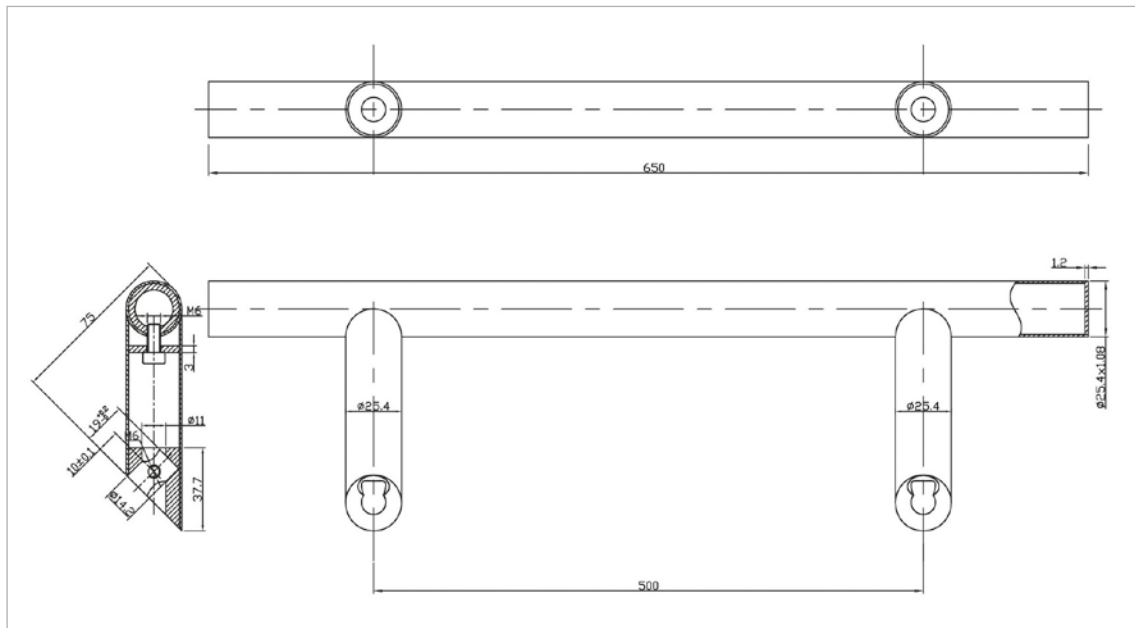
CR.THI25A300

P. 45



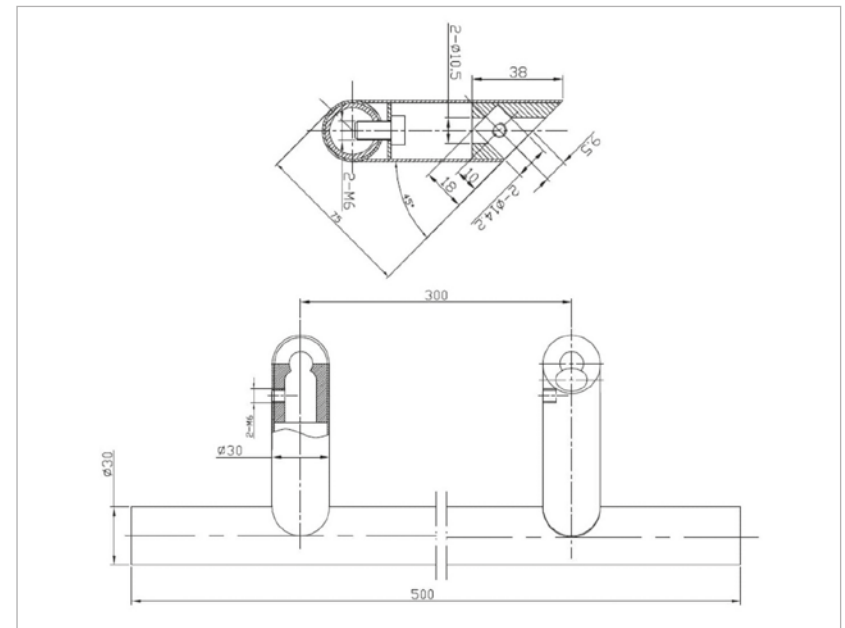
CR.DOCHV25A300

P. 46



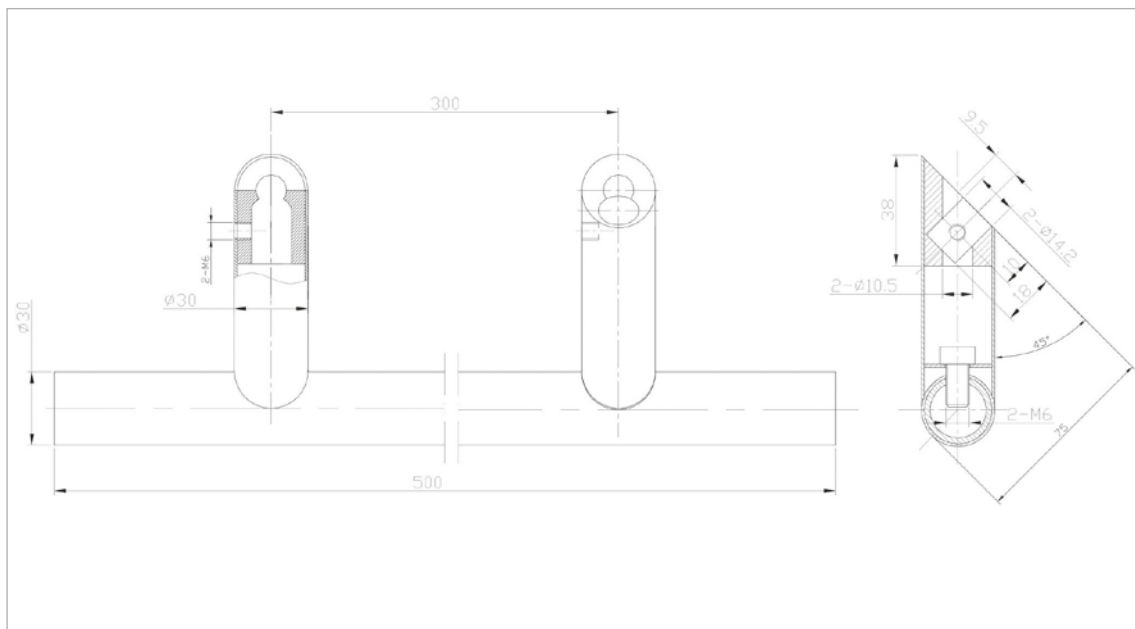
CR.THI25A500

P. 45



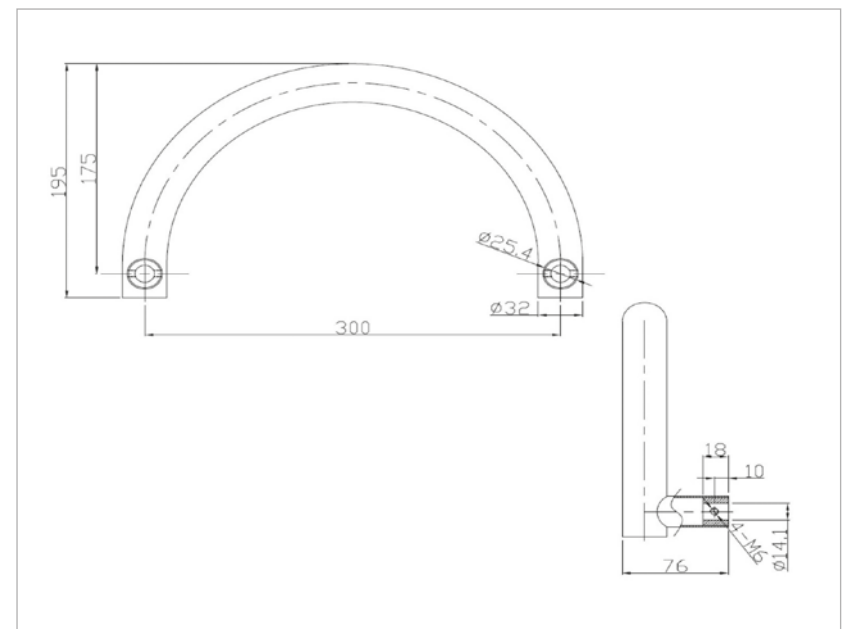
CR.THI30A500

P. 45



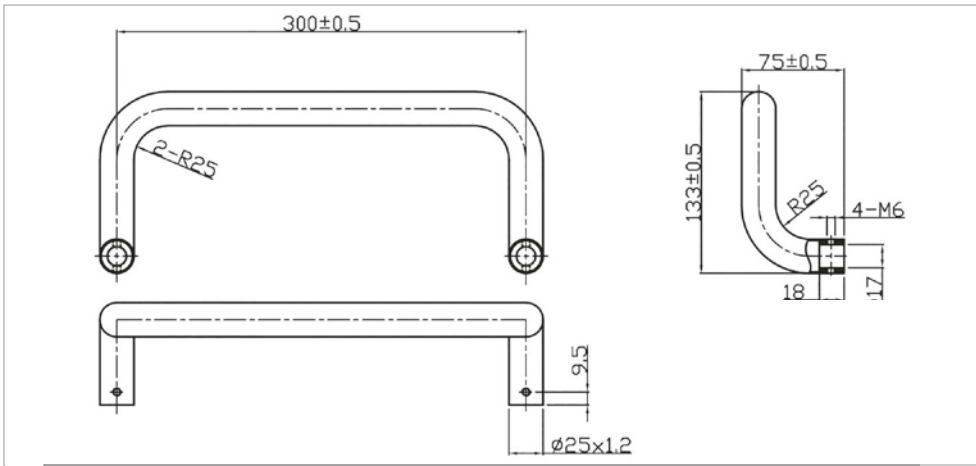
CR.THI30A300

P. 45



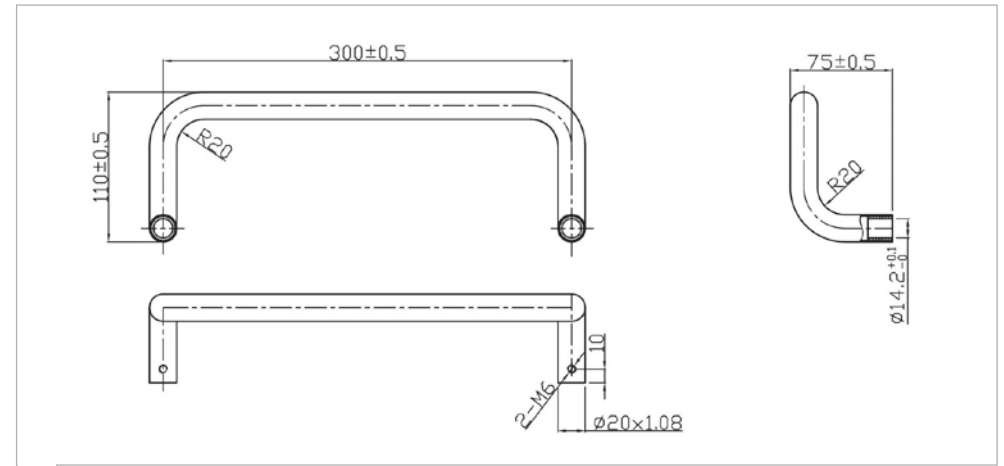
CR.DOCHV30A300

P. 46



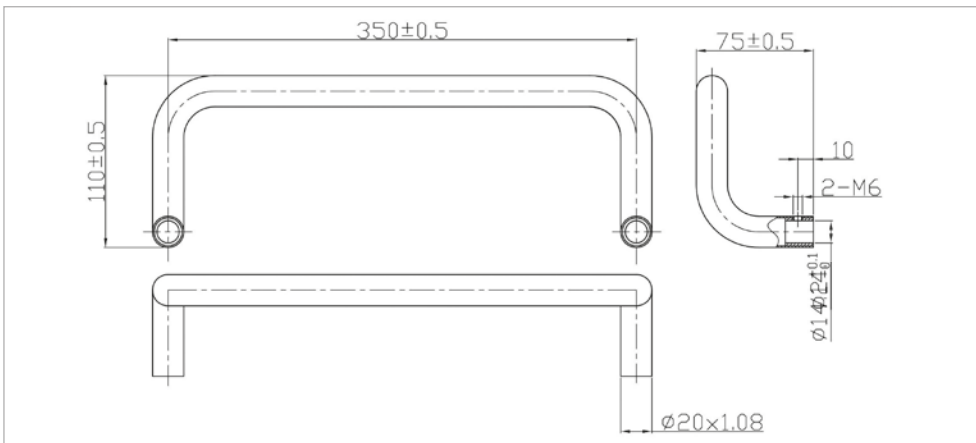
CR.DOUH25A300

P. 46



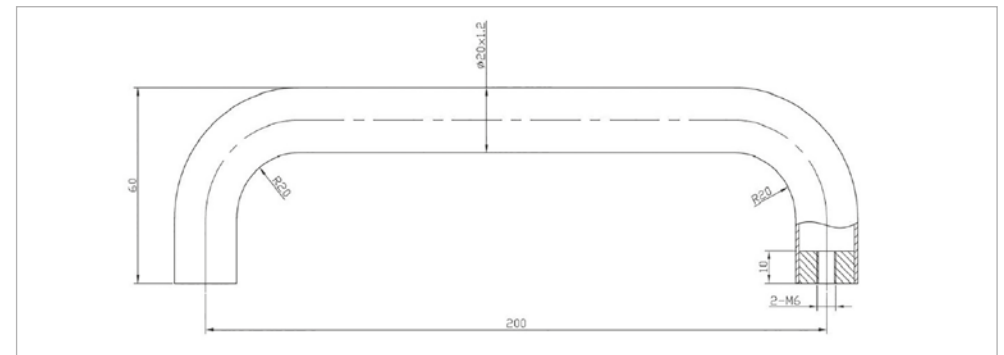
CR.DOUH20A300

P. 46



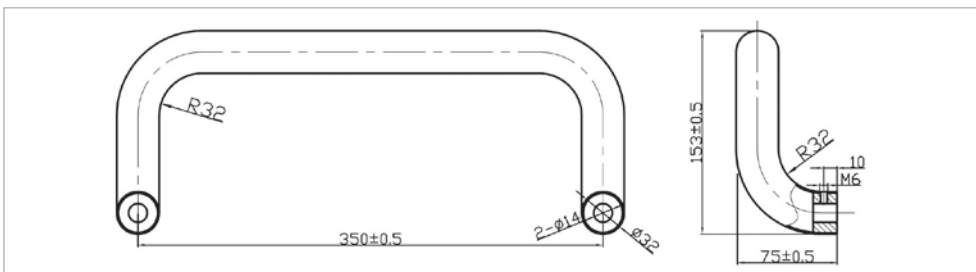
CR.DOUH20A350

P. 46



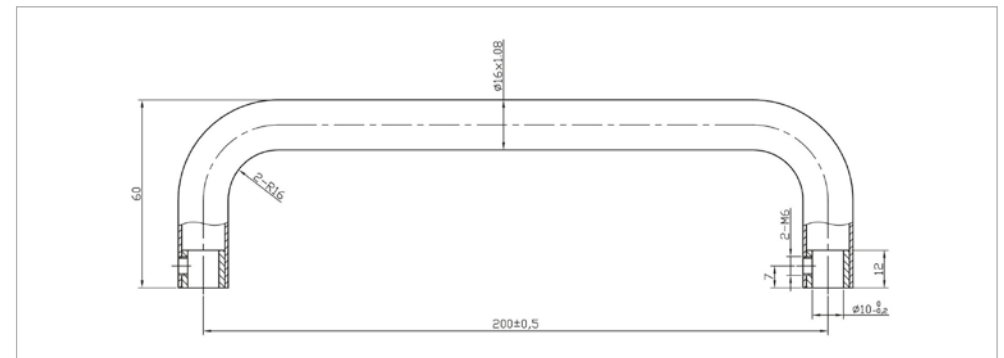
CR.UH20A200

P. 47



CR.DOUH30A350

P. 46



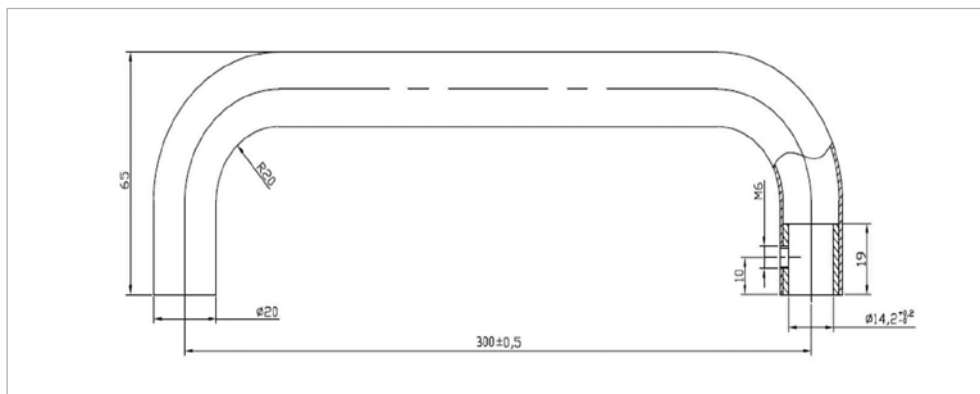
CR.UH16A200

P. 47



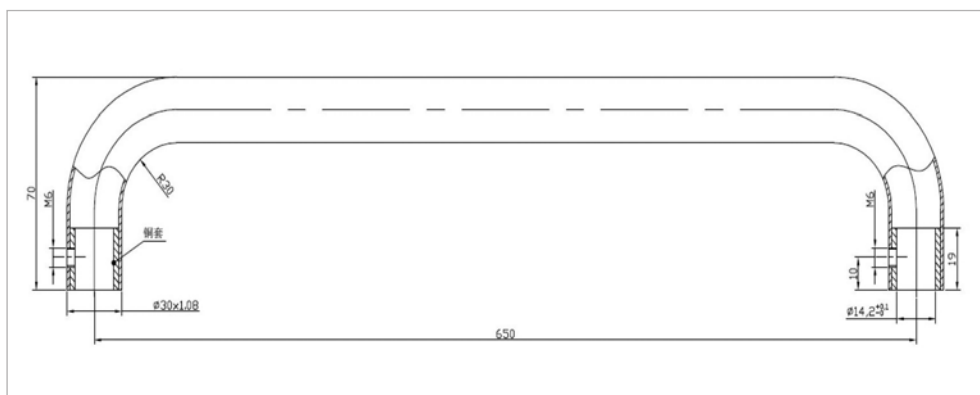
CR.UH20A250

P. 47



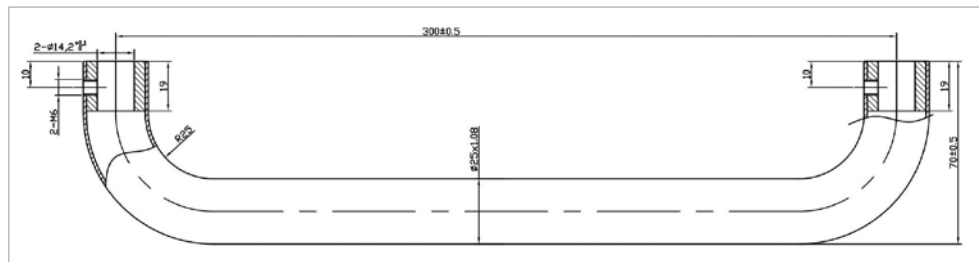
CR.UH20A300

P. 47



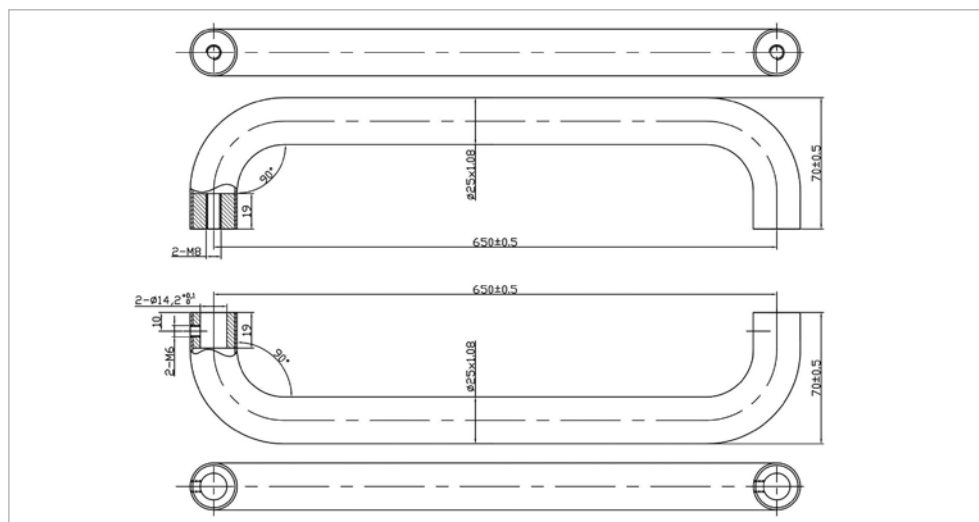
CR.UH30A650

P. 47



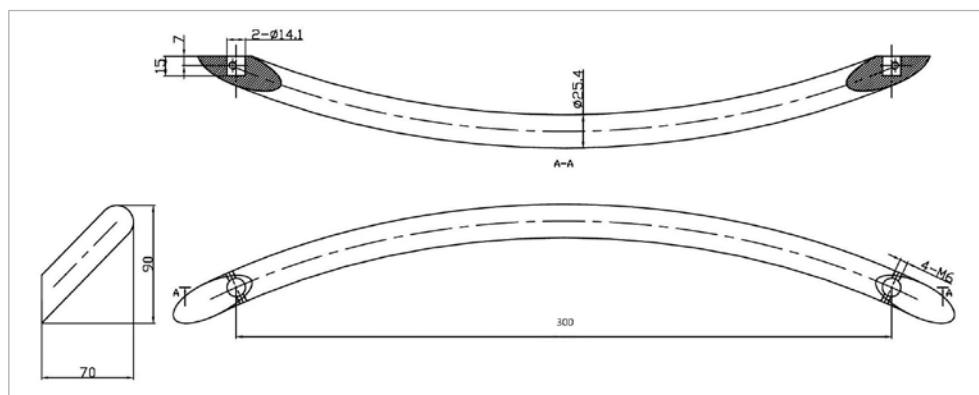
CR.UH25A300

P. 47



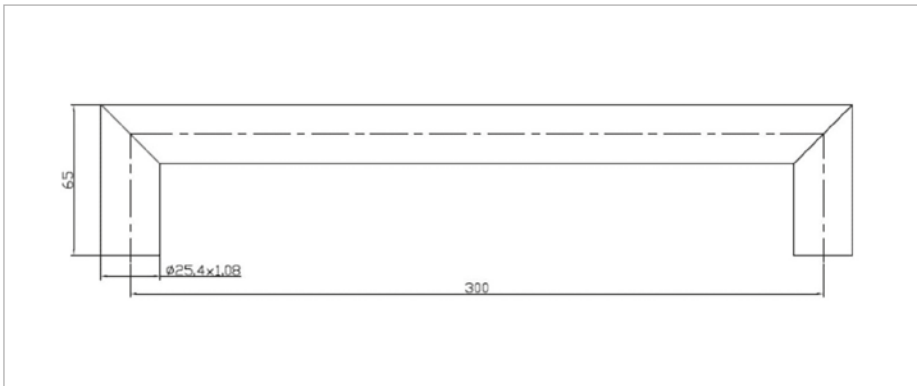
CR.UH25A650/SET

P. 47



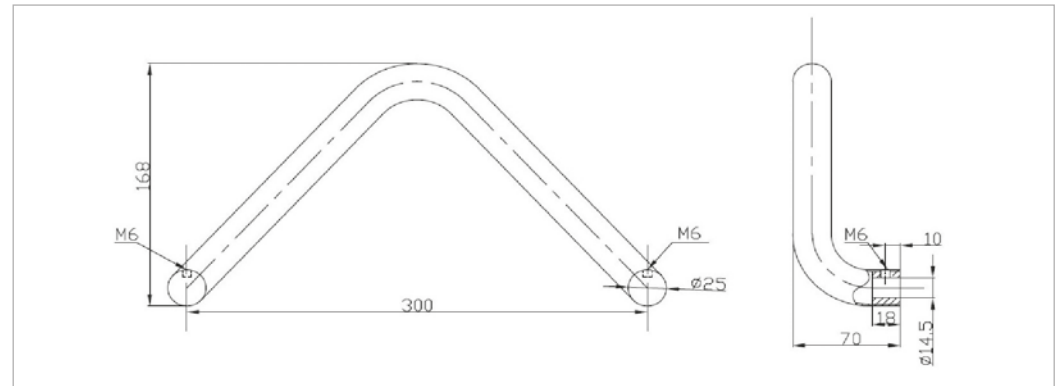
CR.AH25A300

P. 47



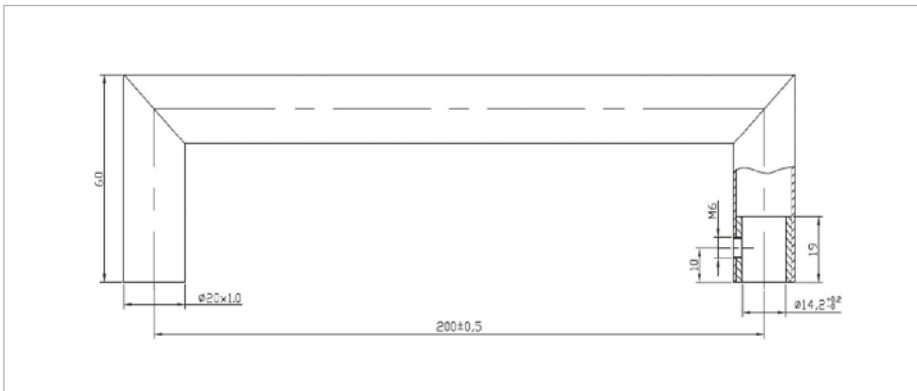
CR.UHW25A300

P. 47



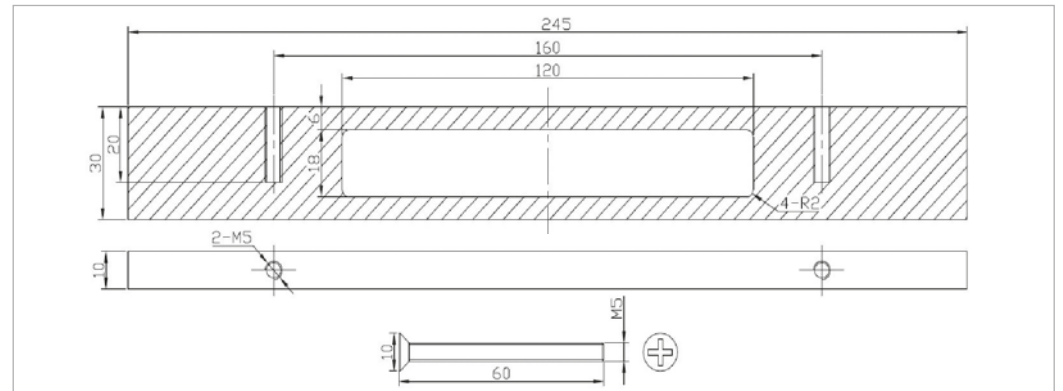
CR.VH25A300

P. 47



CR.UHW20A200

P. 47



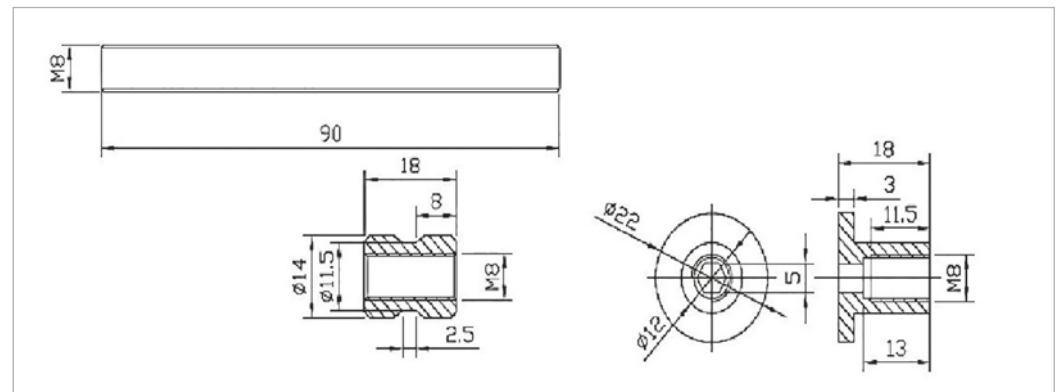
CR.BPH245

P. 48



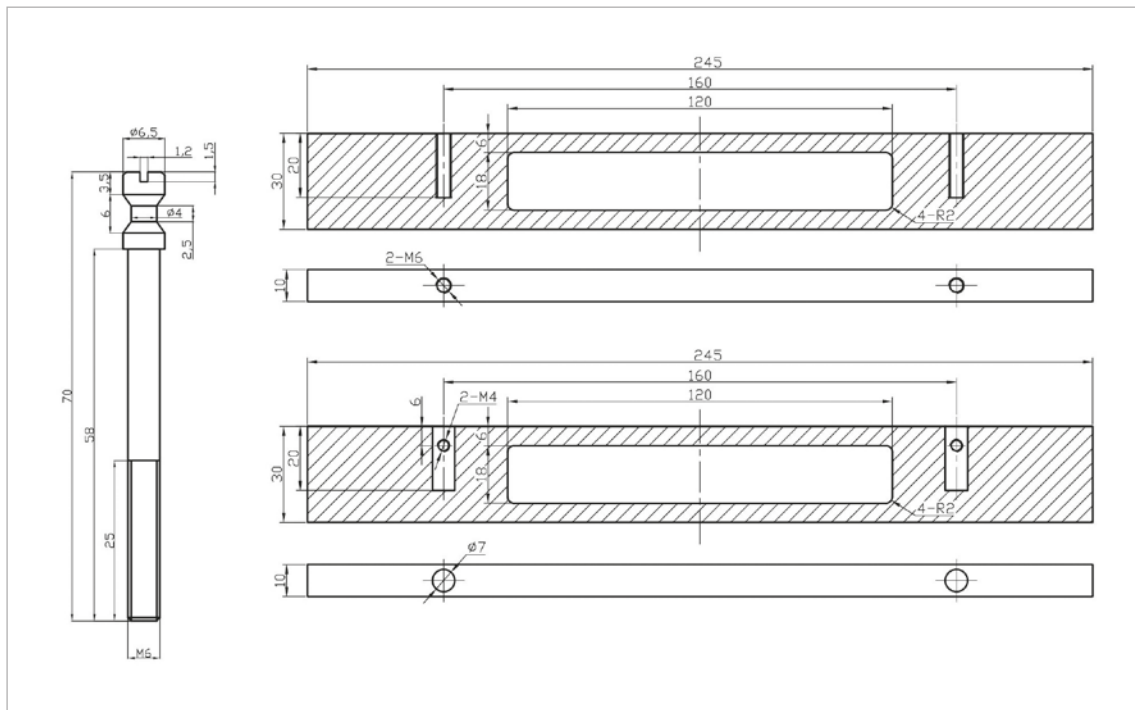
CR.UHW20A900

P. 47



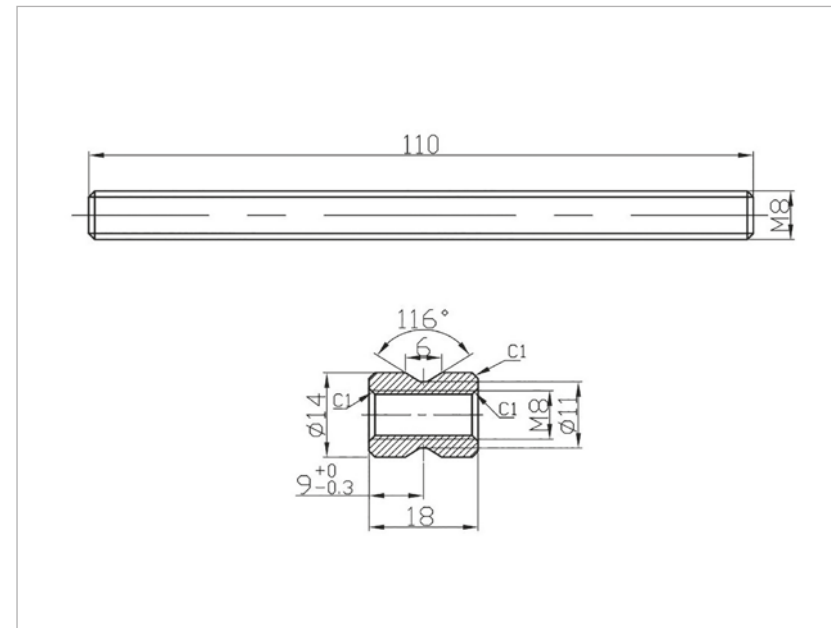
CR.FST

P. 49



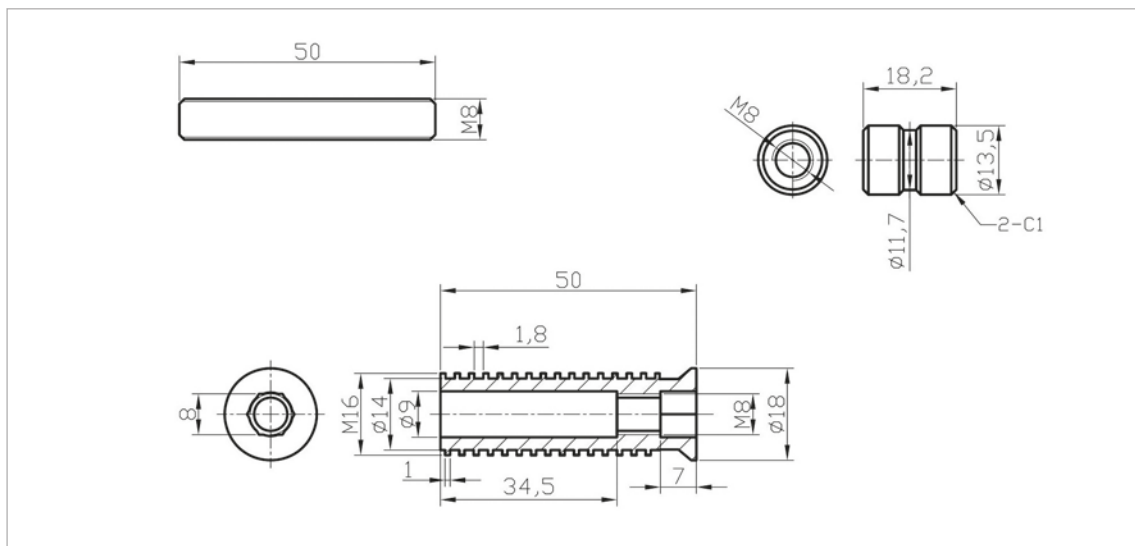
CR.BPH245P

P. 48



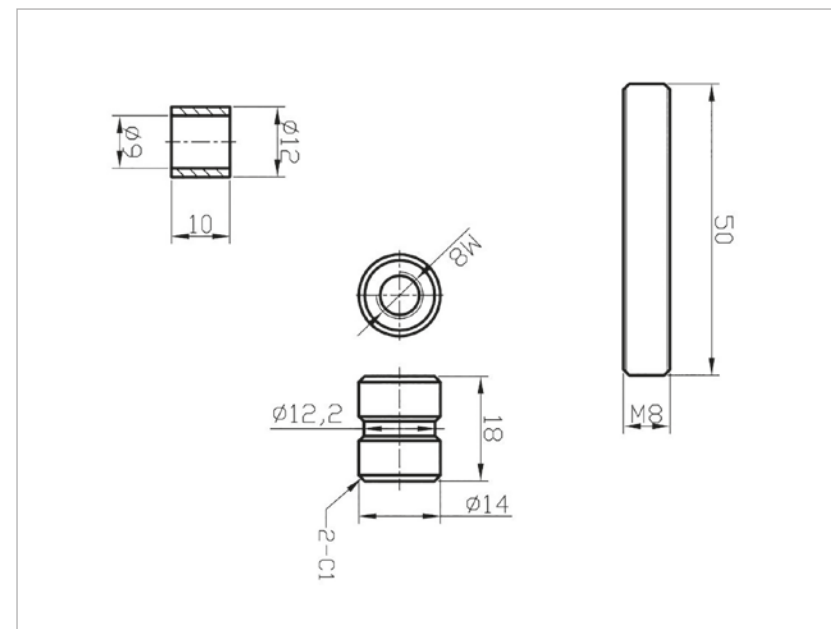
CR.FSPW

P. 49



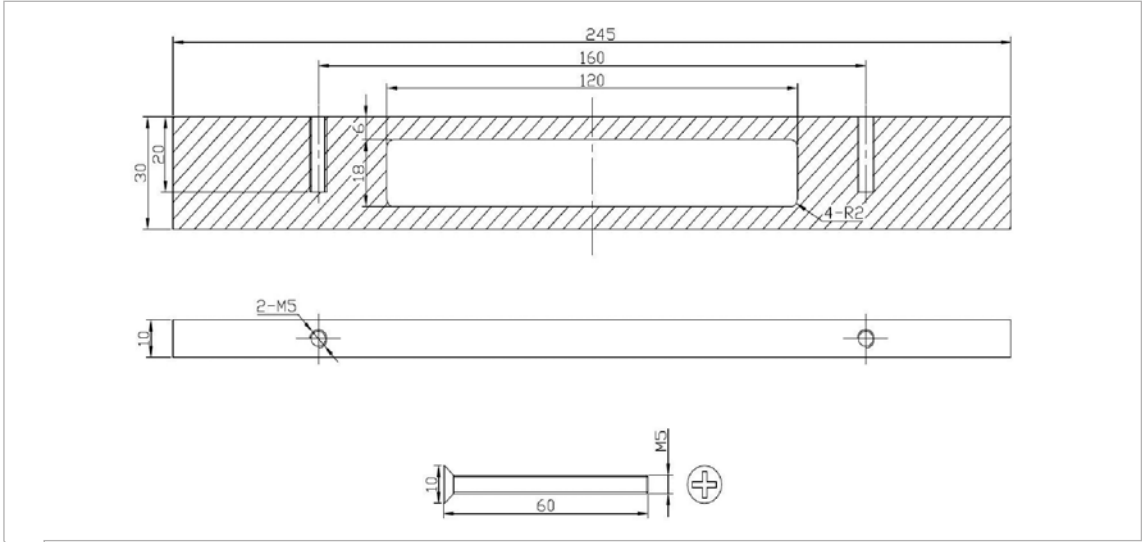
CR.FSNTW

P. 49



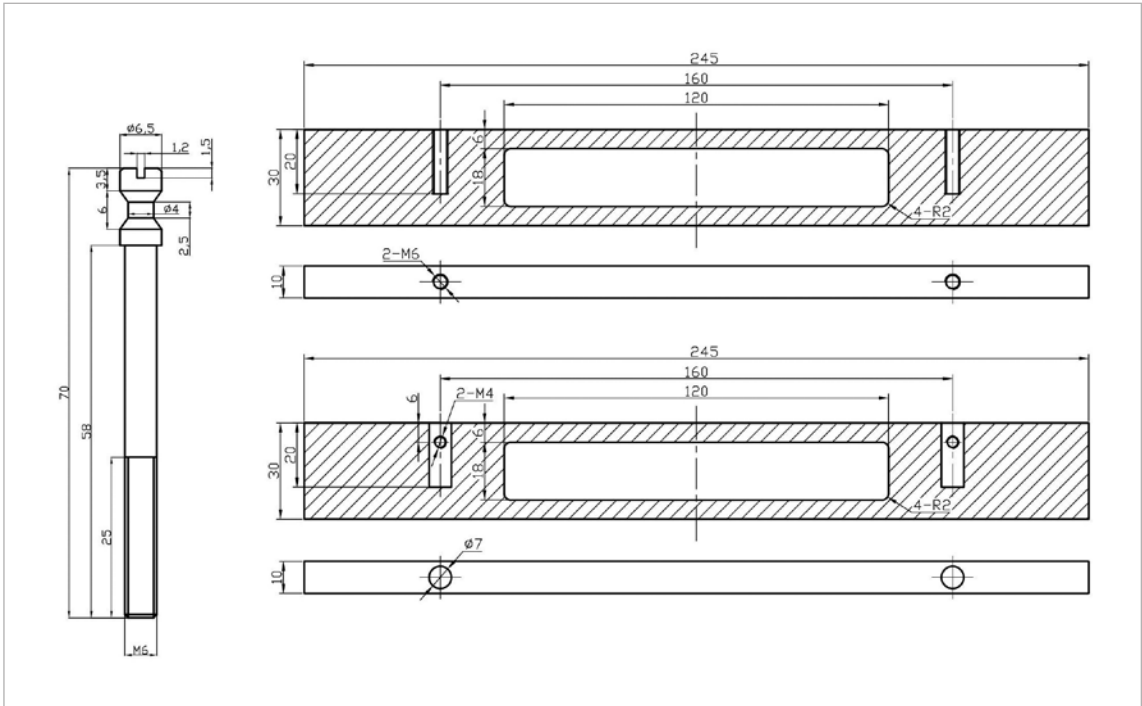
CR.FSPG

P. 49



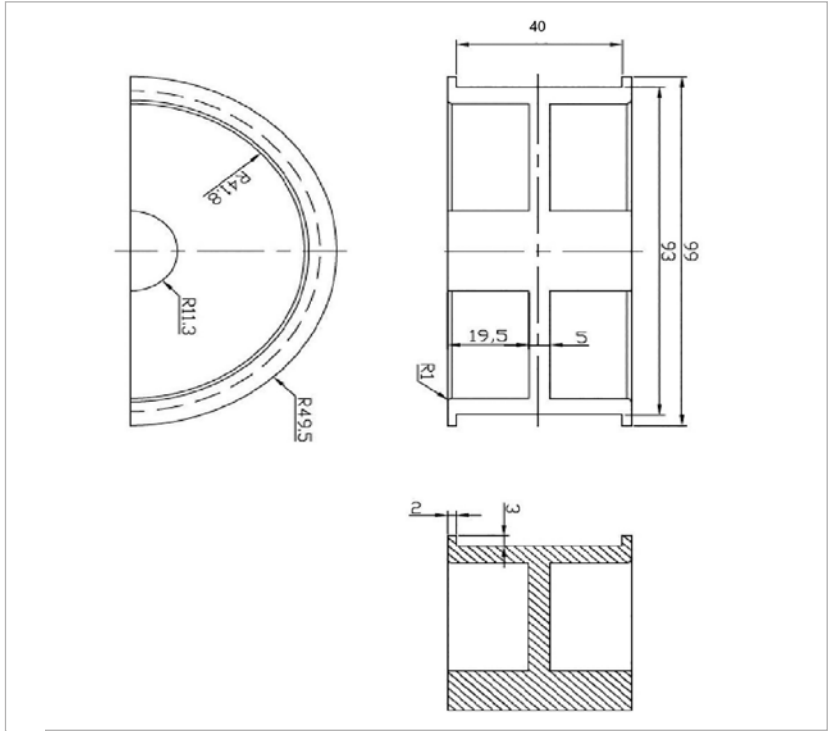
CR.BPH245.80

P. 49



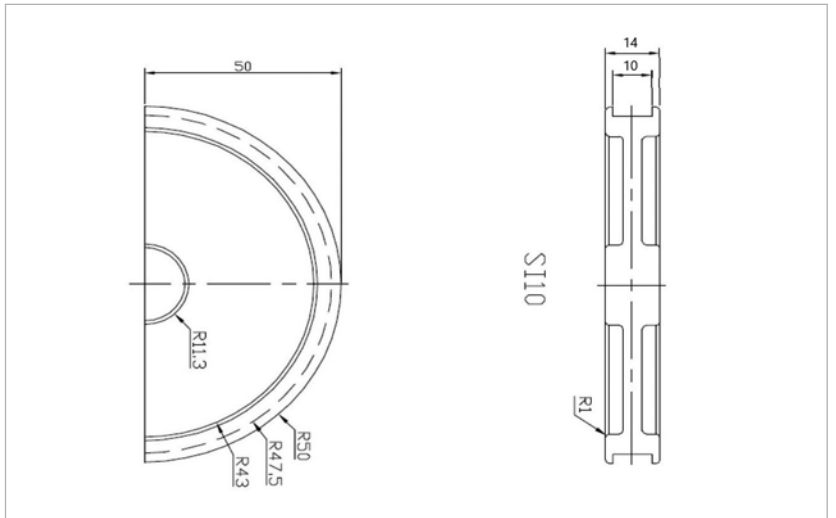
CR.BPH245P.80

P. 49



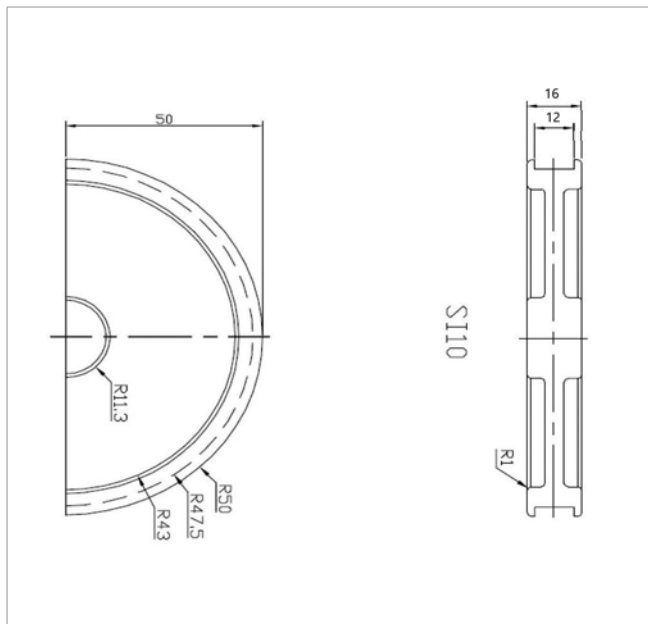
CR.BSISC.40

P. 52



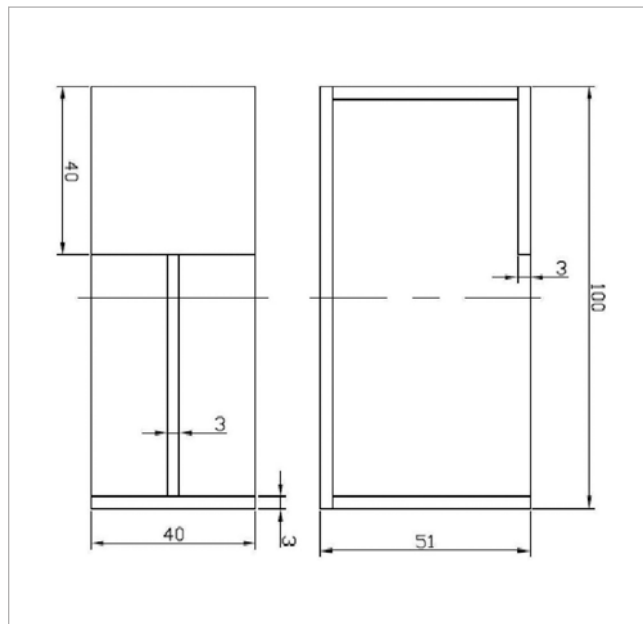
CR.BSISC.10

P. 52



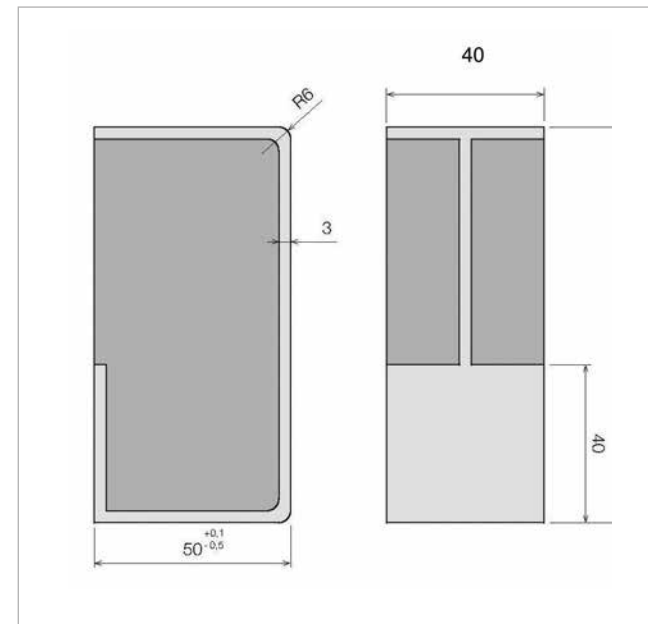
CR.BSISC.12

P. 52



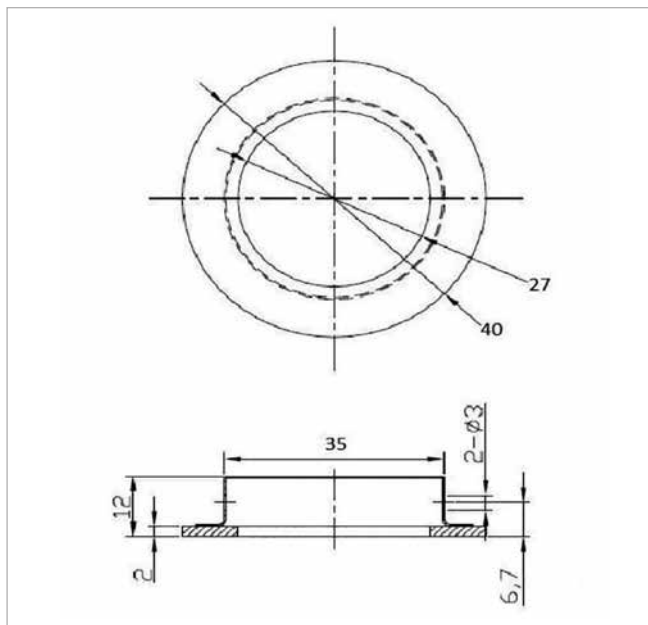
CR.BSIR.40

P. 52



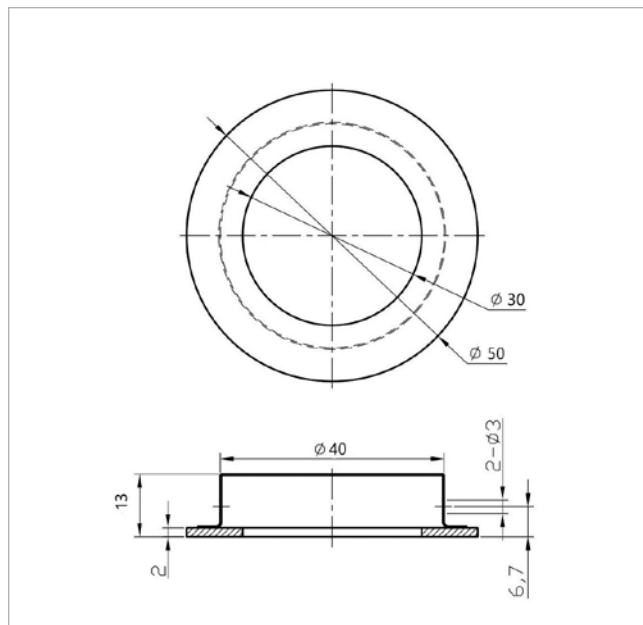
CR.BSIROUND

P. 52



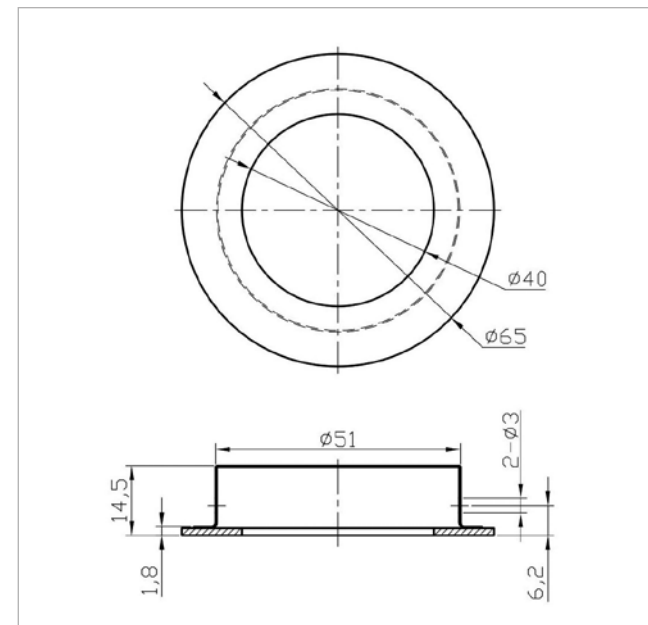
CR.BSI35

P. 52



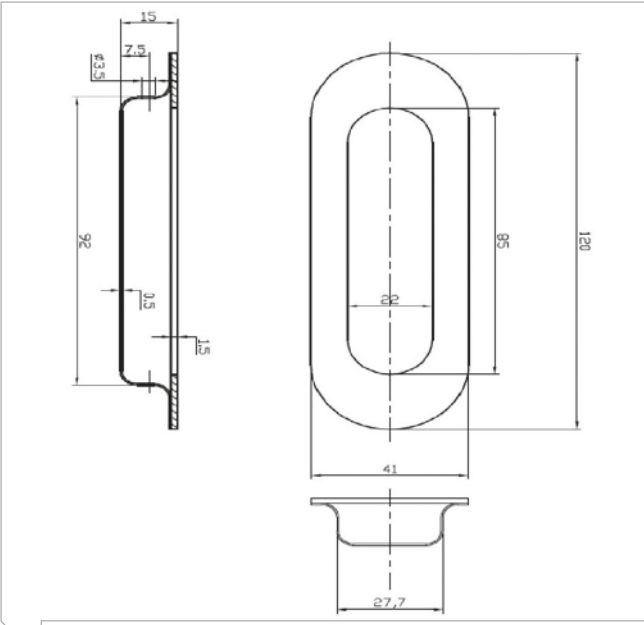
CR.BSI50

P. 52



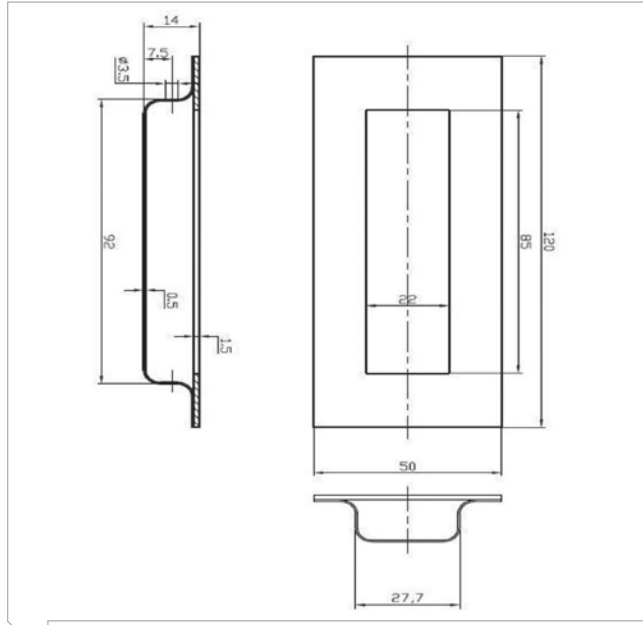
CR.BSI65

P. 52



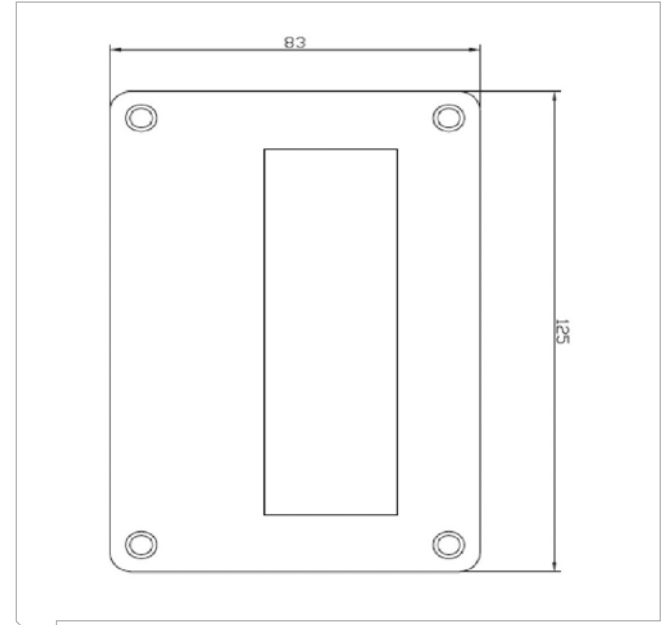
CR.BSIOV120

P. 52



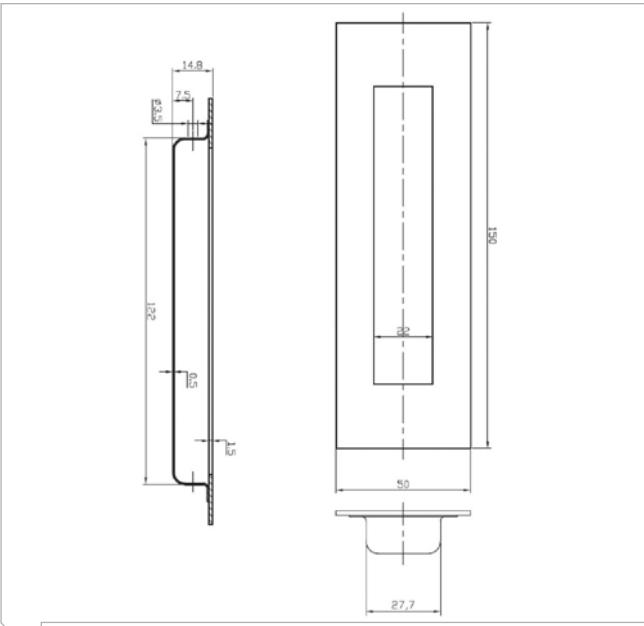
CR.BSISQ120

P. 52



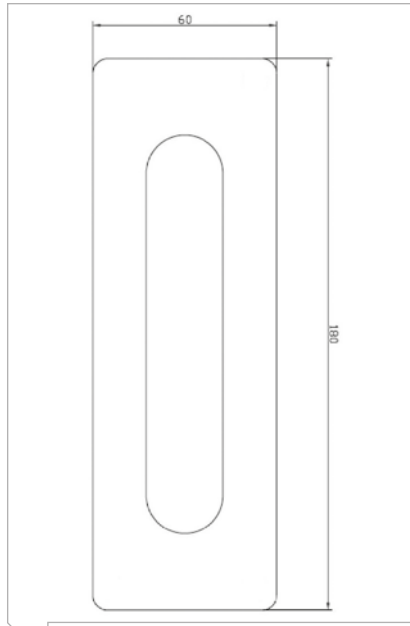
CR.BSIR125

P. 52



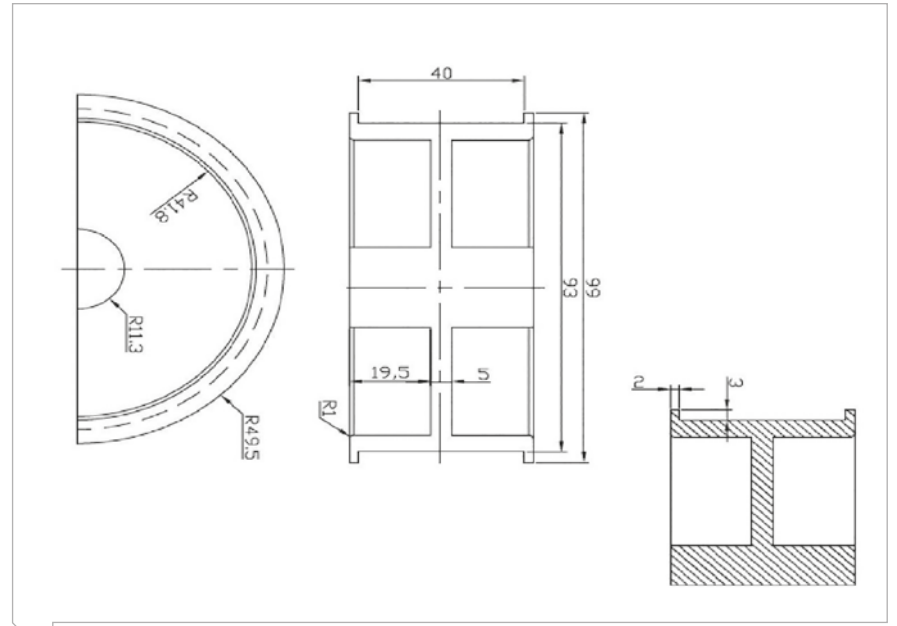
CR.BSIR150

P. 52



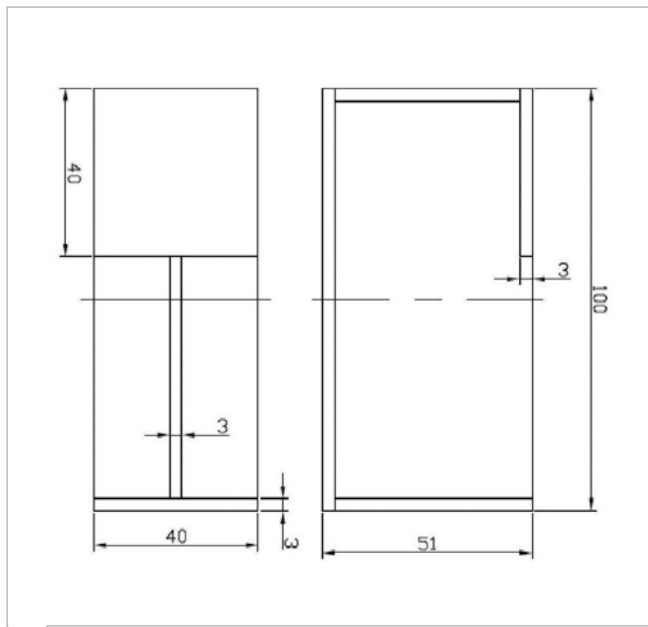
CR.BSIR180

P. 52



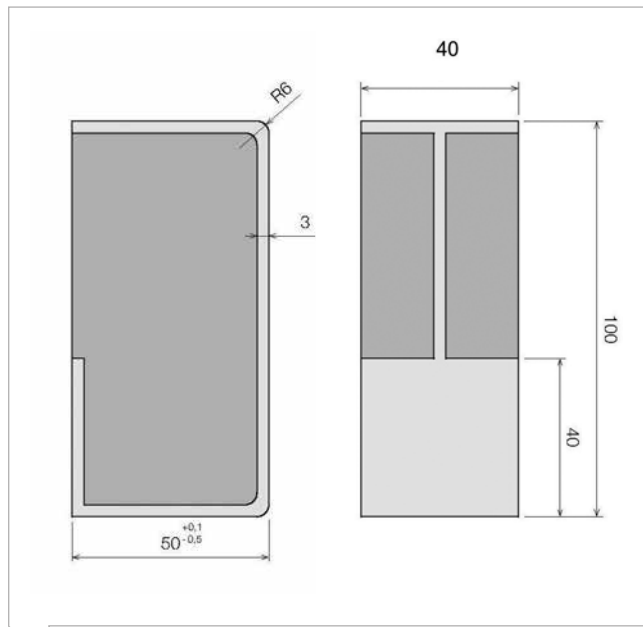
CR.BSISC40/80M

P. 53



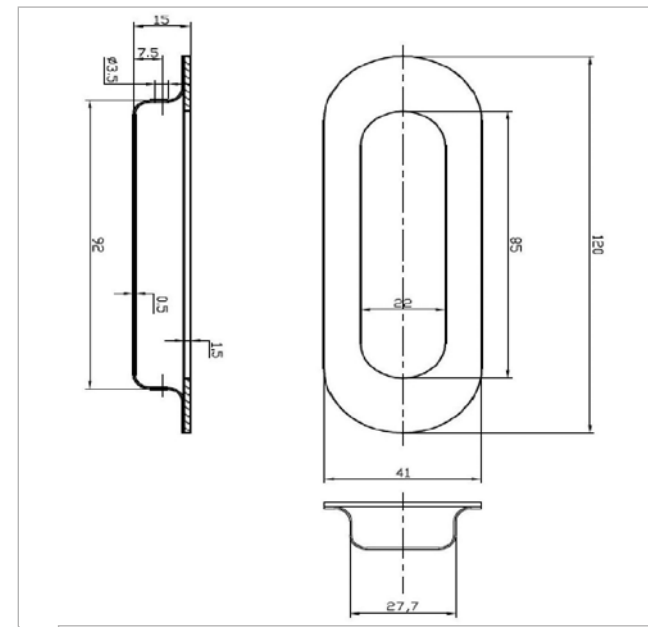
CR.BSIR.40/80M

P. 53



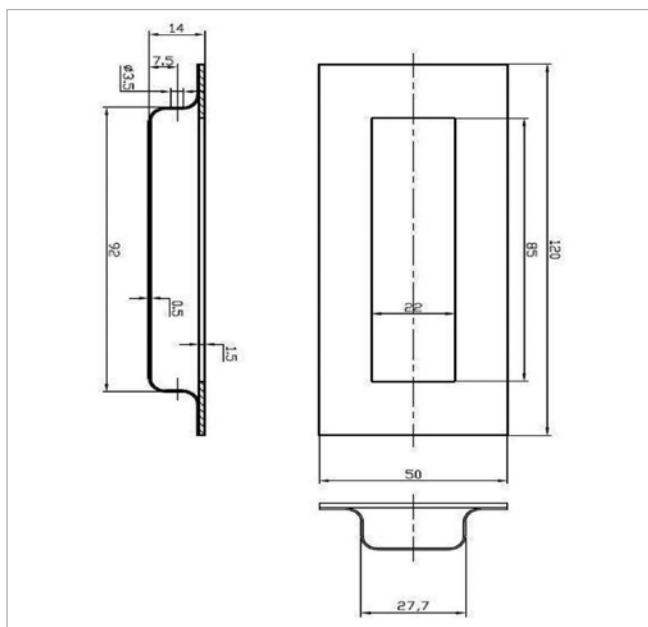
CR.BSIROUND.80

P. 53



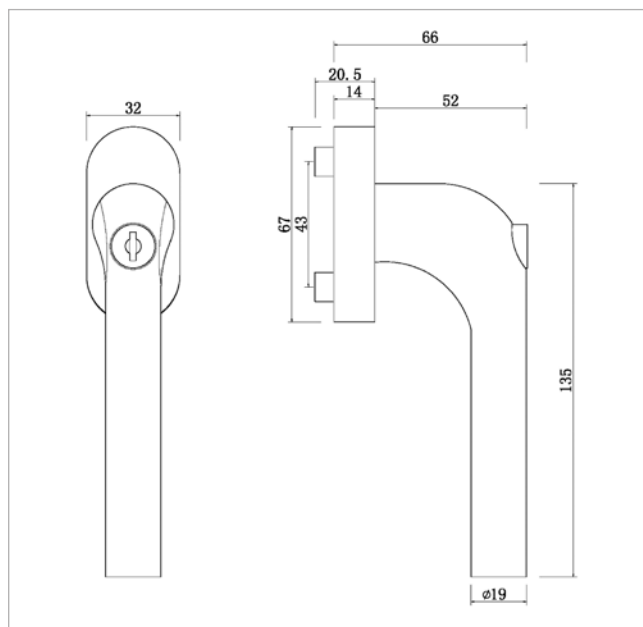
CR.BSIOV120.80

P. 53



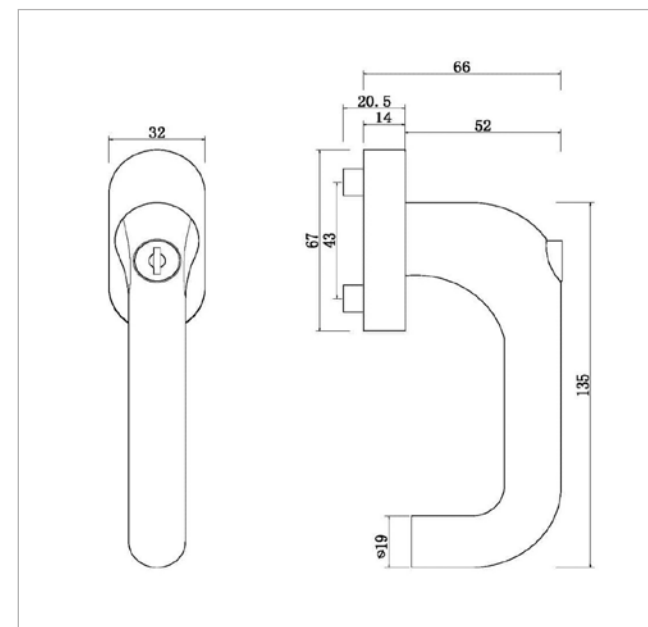
CR.BSISQ120.80

P. 53



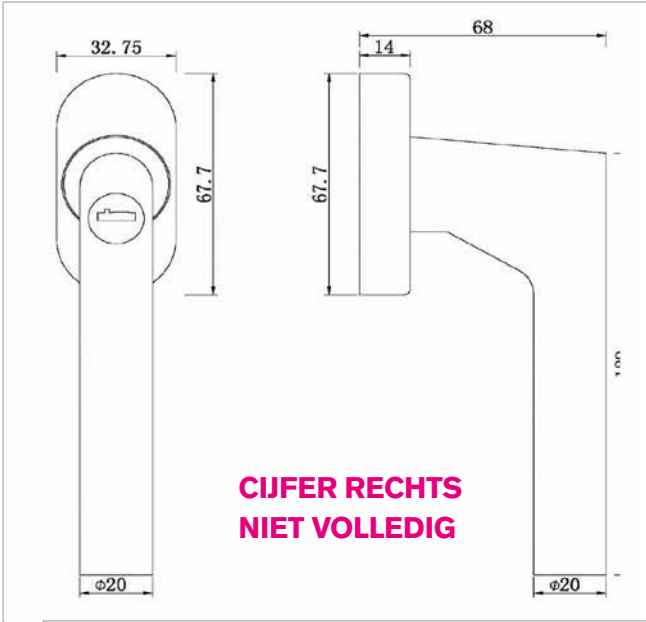
CR.DKKB1029

P. 56



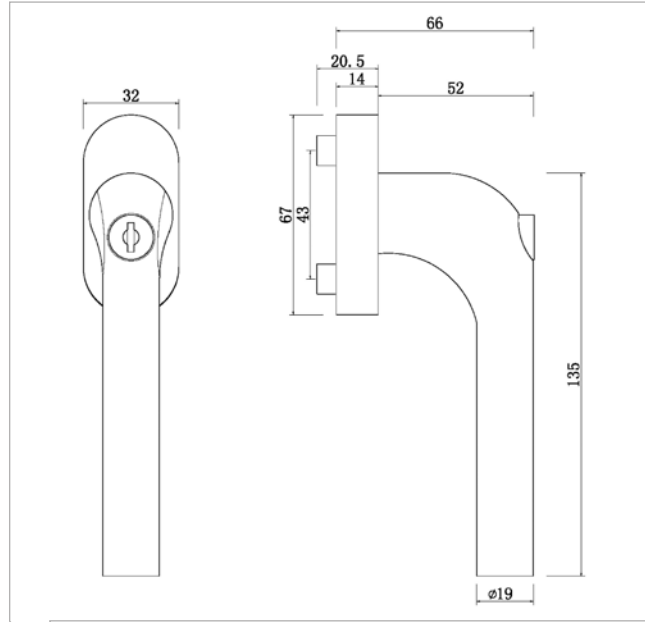
CR.DKKB1019

P. 56



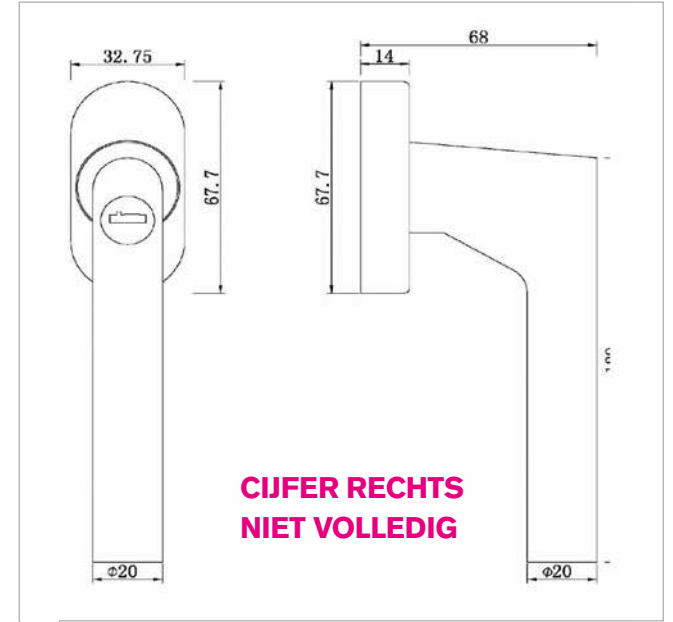
CR.DKKB1049

P. 56



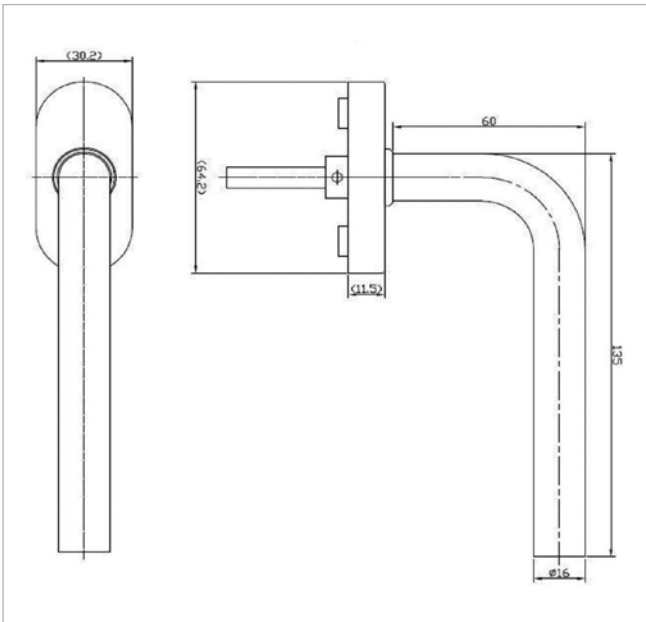
CR.KDKB1029

P. 56



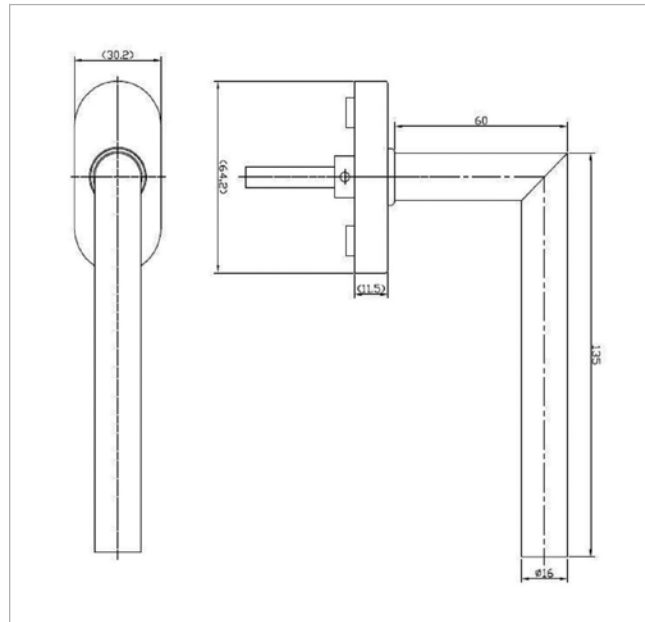
CR.KDKB1049

P. 56



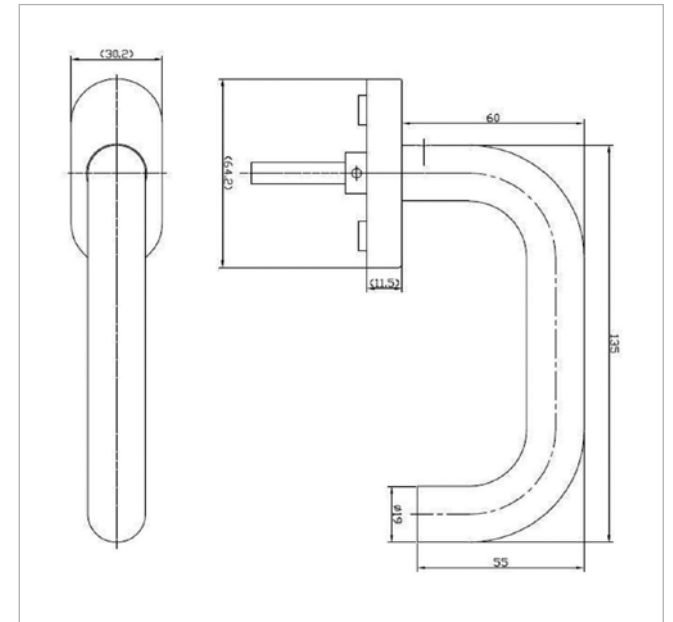
CR.DKBTH1026

P. 56



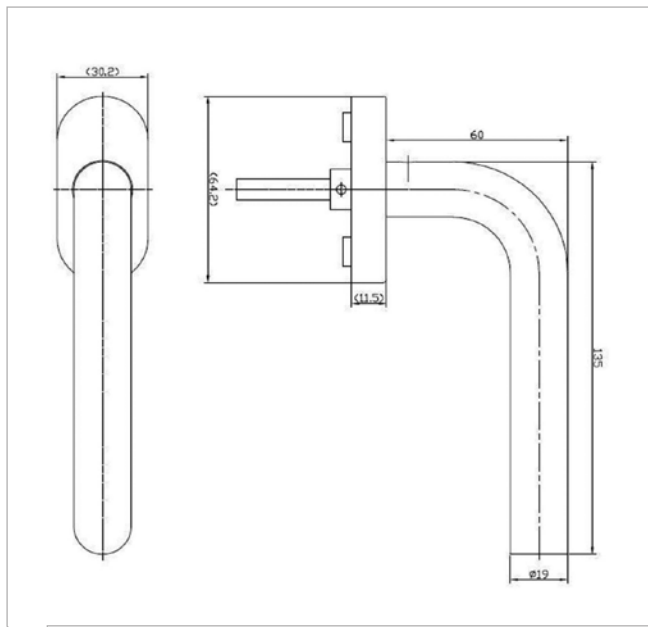
CR.DKBTH1046

P. 56



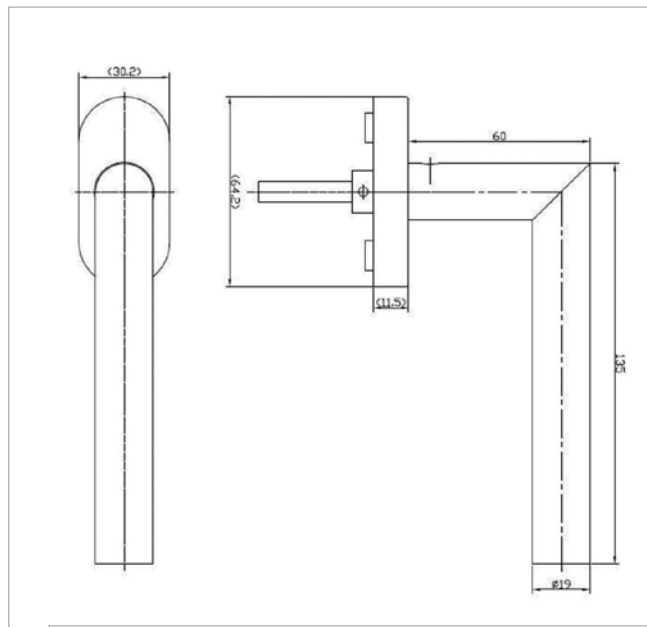
CR.DKBTH1019

P. 56



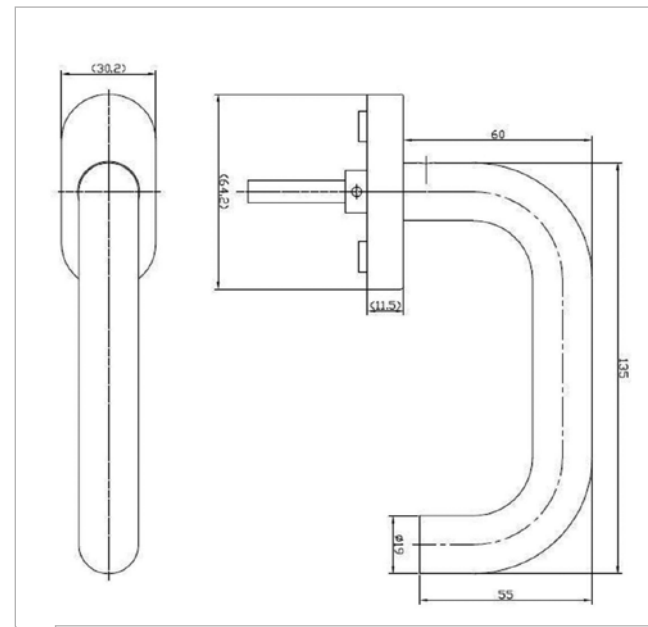
CR.DKBTH1029

P. 56



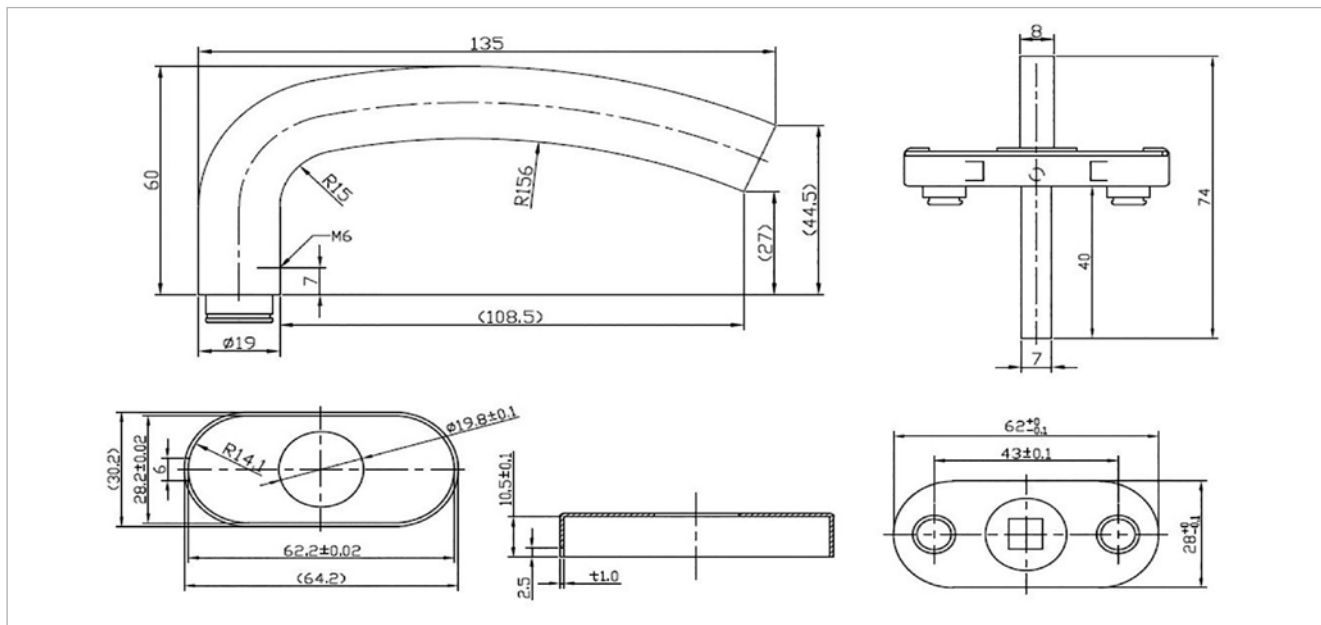
CR.DKBTH1049

P. 56



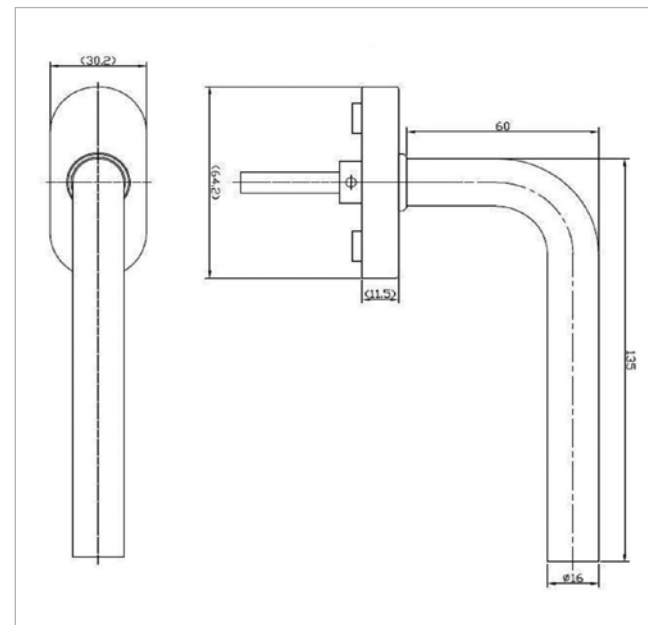
CR.DKTH1019

P. 57



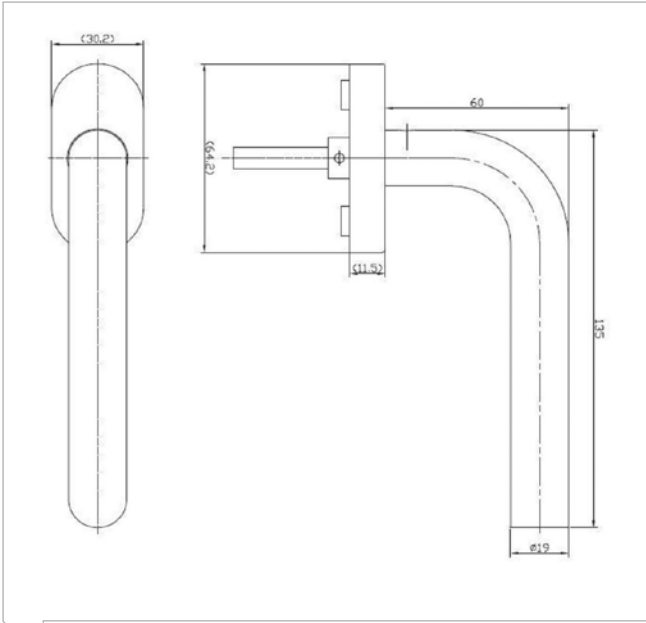
CR.DKTH1039

P. 57



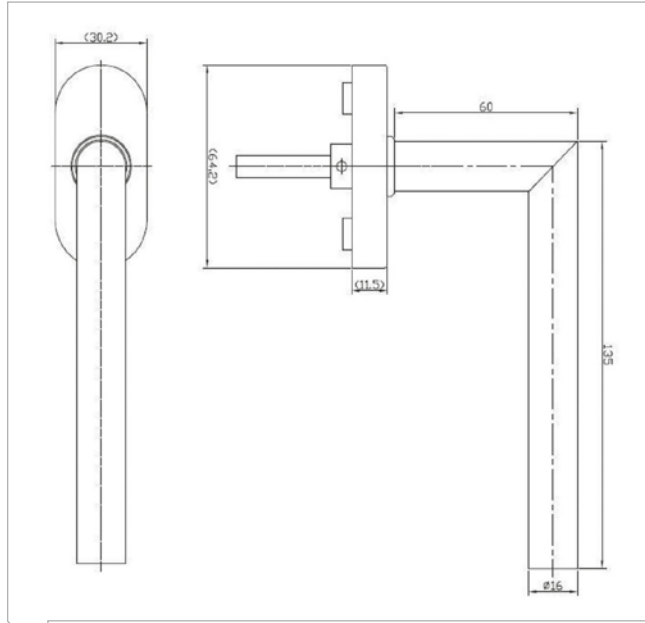
CR.DKTH1026

P. 57



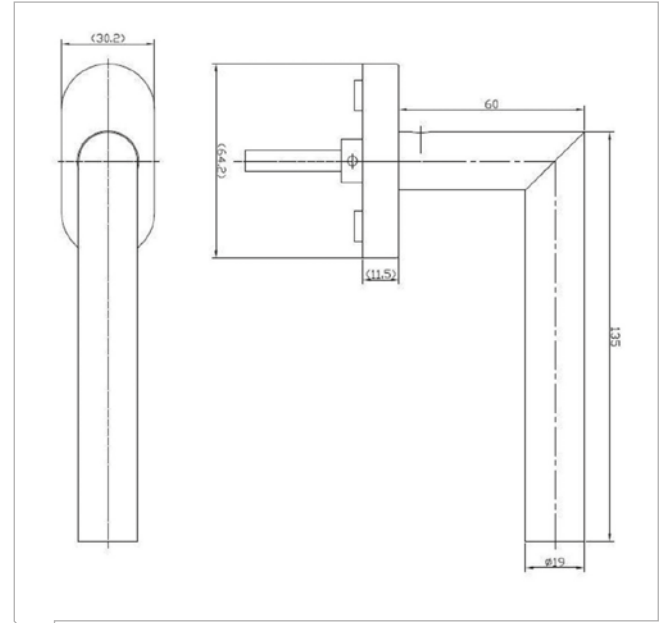
CR.DKTH1029

P. 57



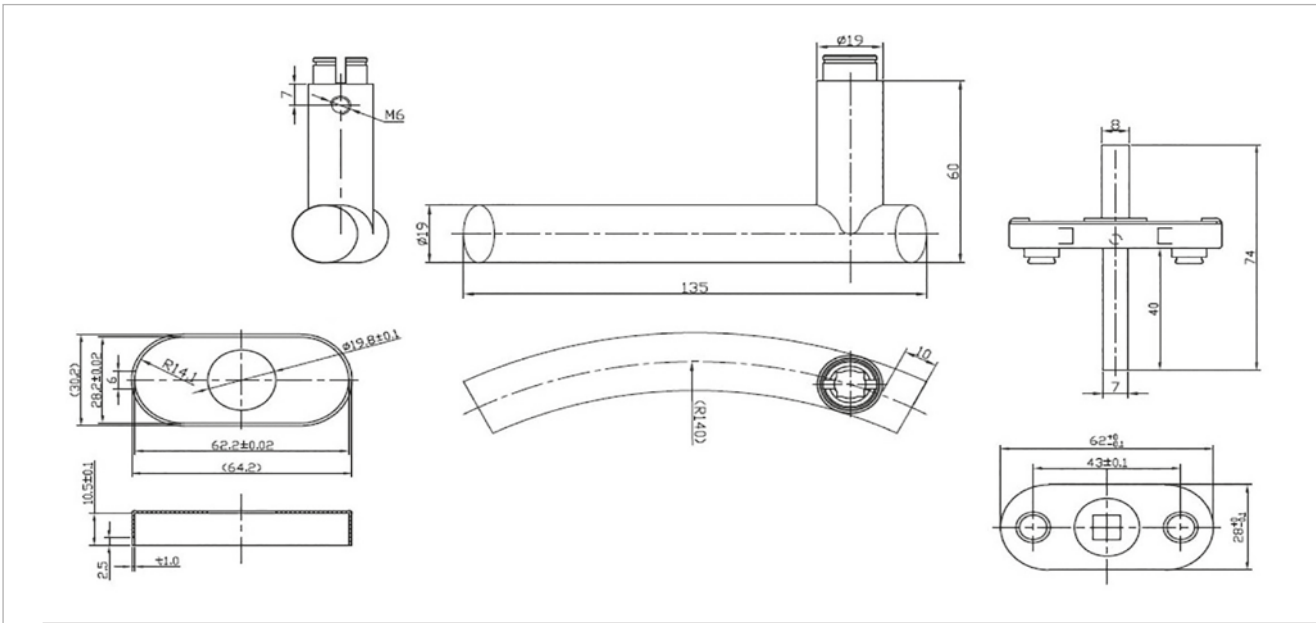
CR.DKTH1046

P. 57



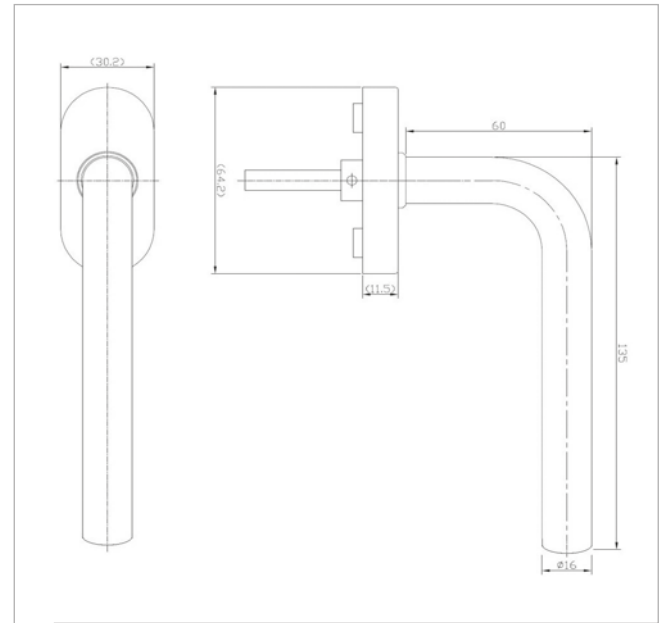
CR.DKTH1049

P. 57



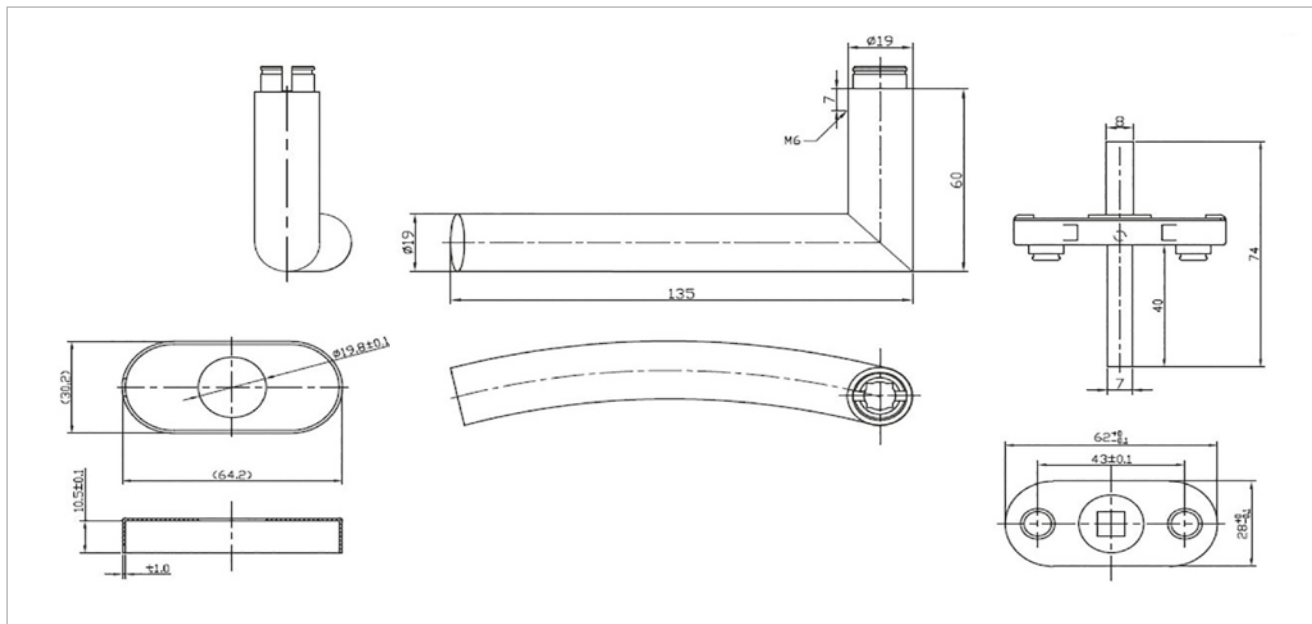
CR.DKTH1059

P. 57



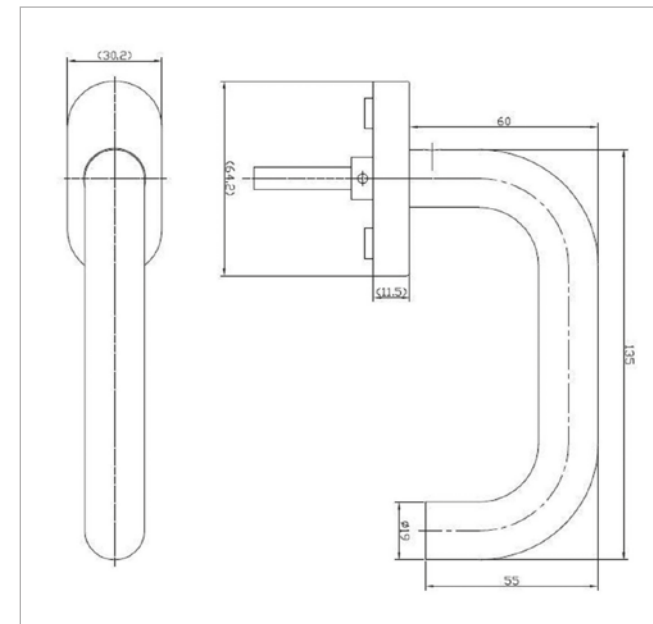
CR.DKSH1106

P. 58



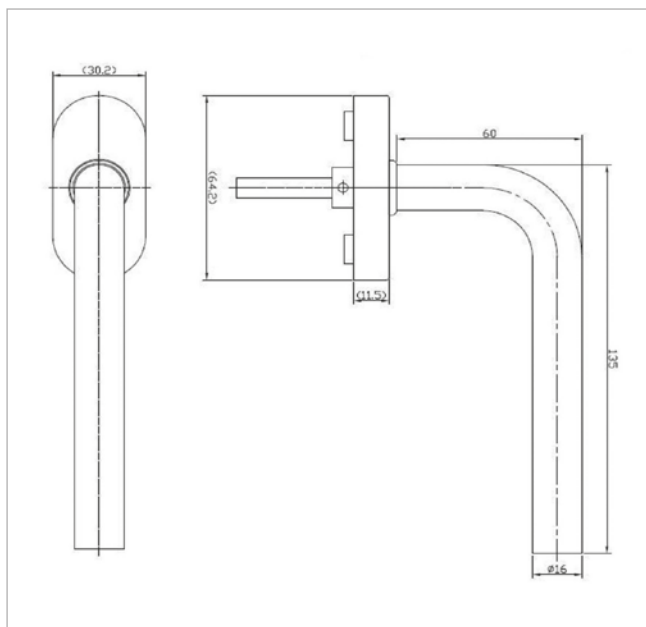
CR.DKSH1089

P. 58



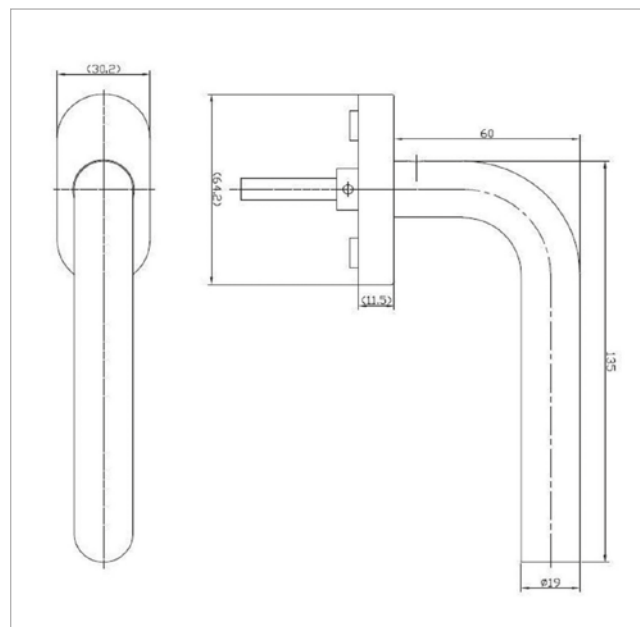
CR.DKSH1019

P. 58



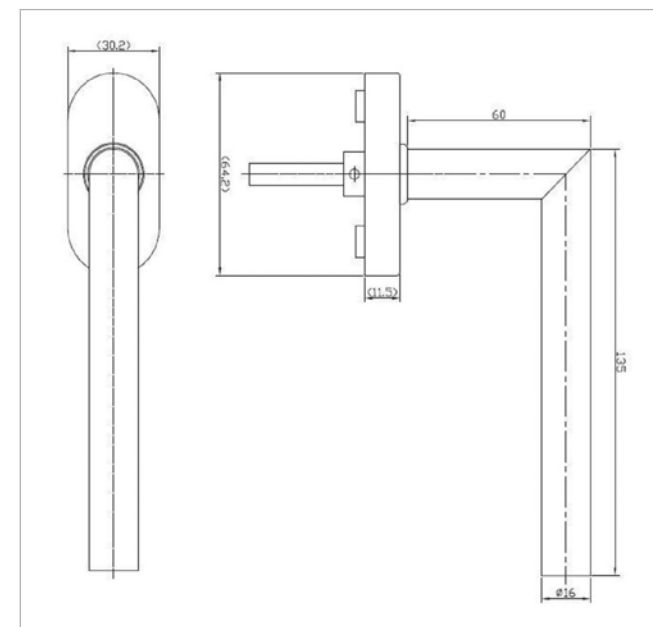
CR.DKSH1026

P. 58



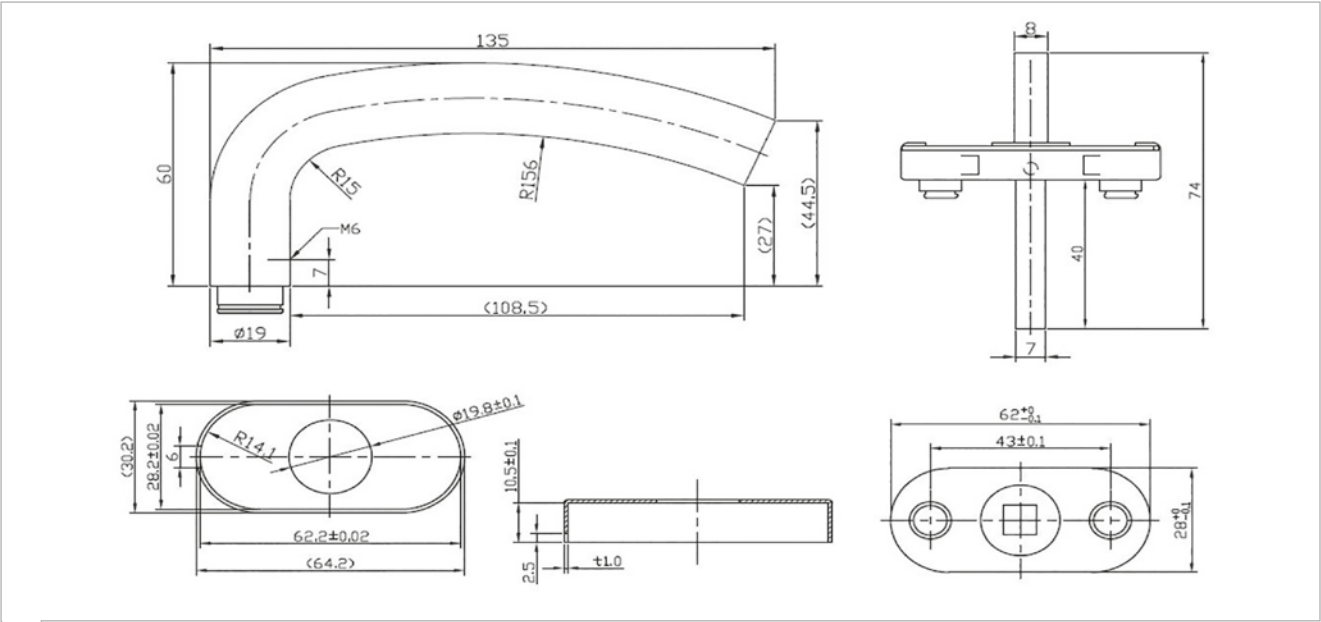
CR.DKSH1029

P. 58



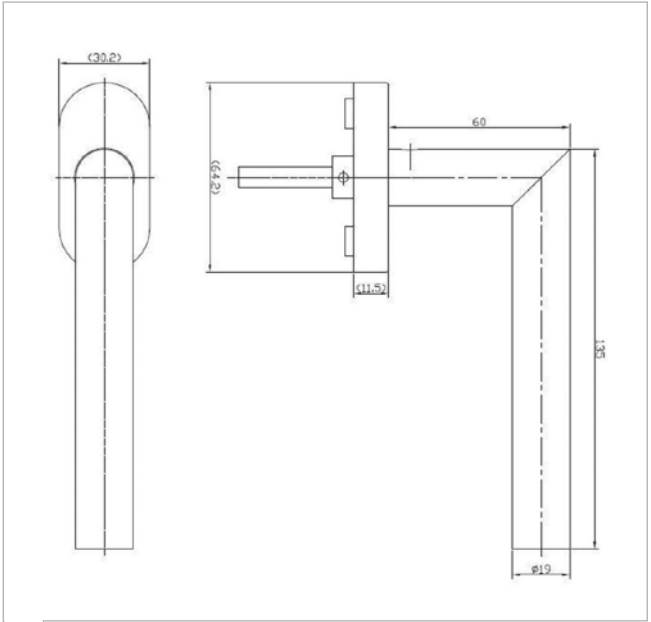
CR.DKSH1046

P. 58



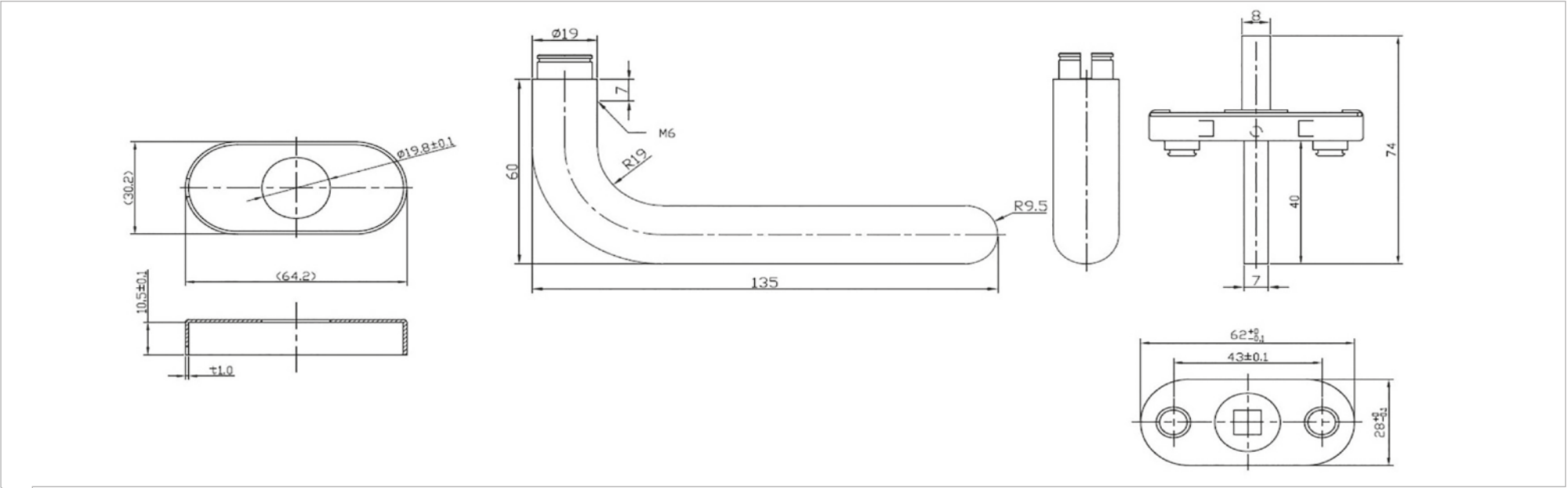
CR.DKSH1039

P. 58



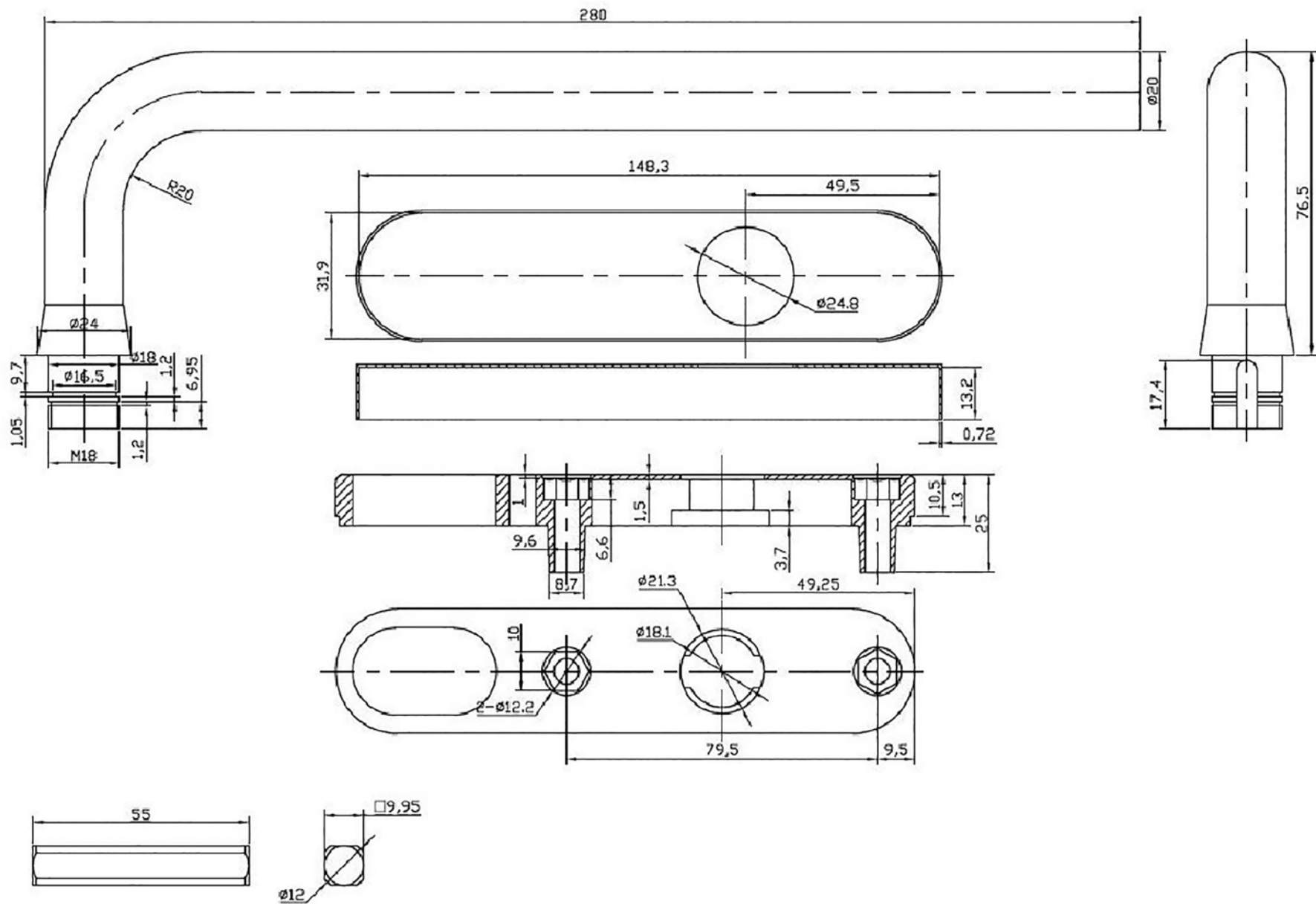
CR.DKSH1049

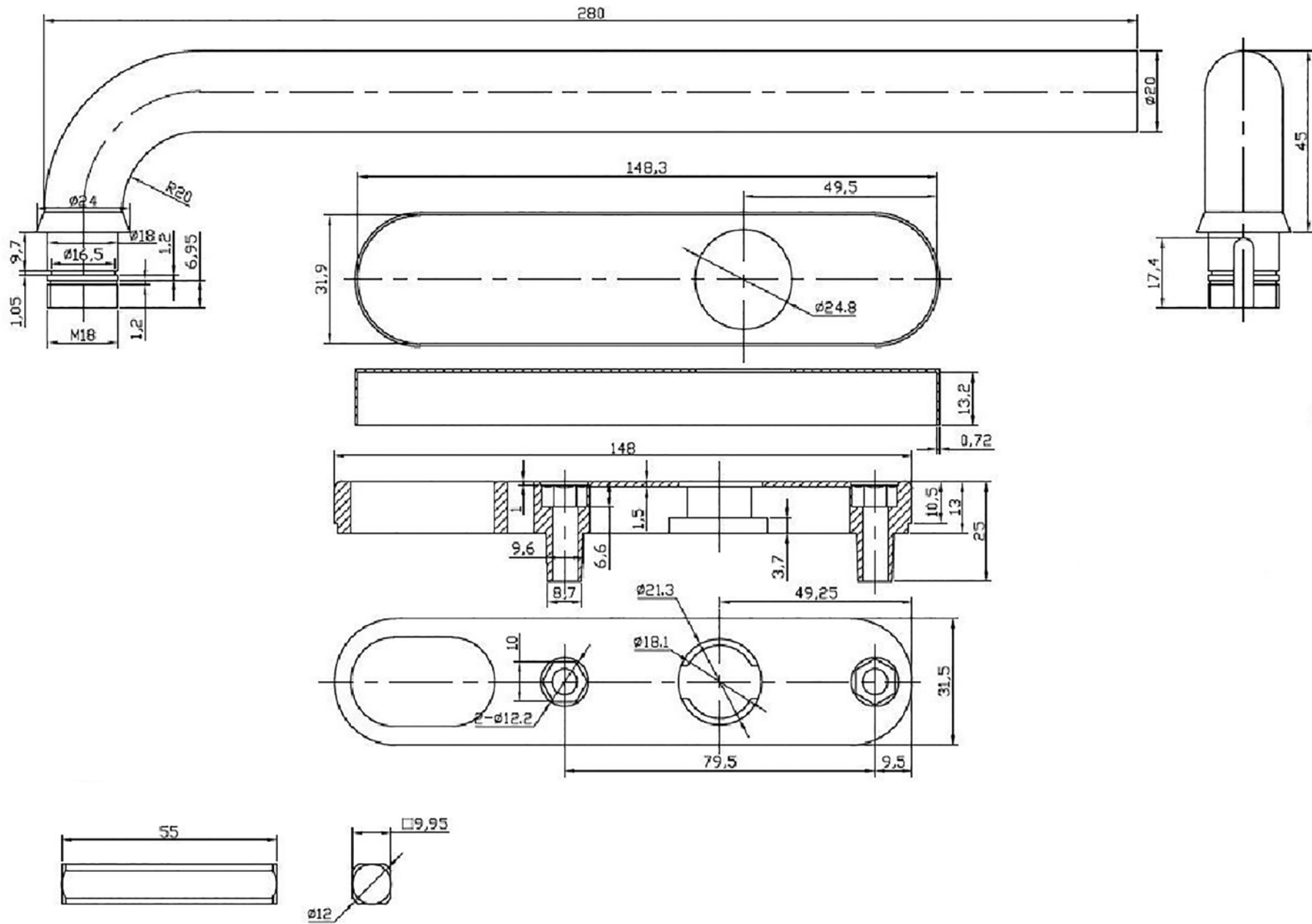
P. 58



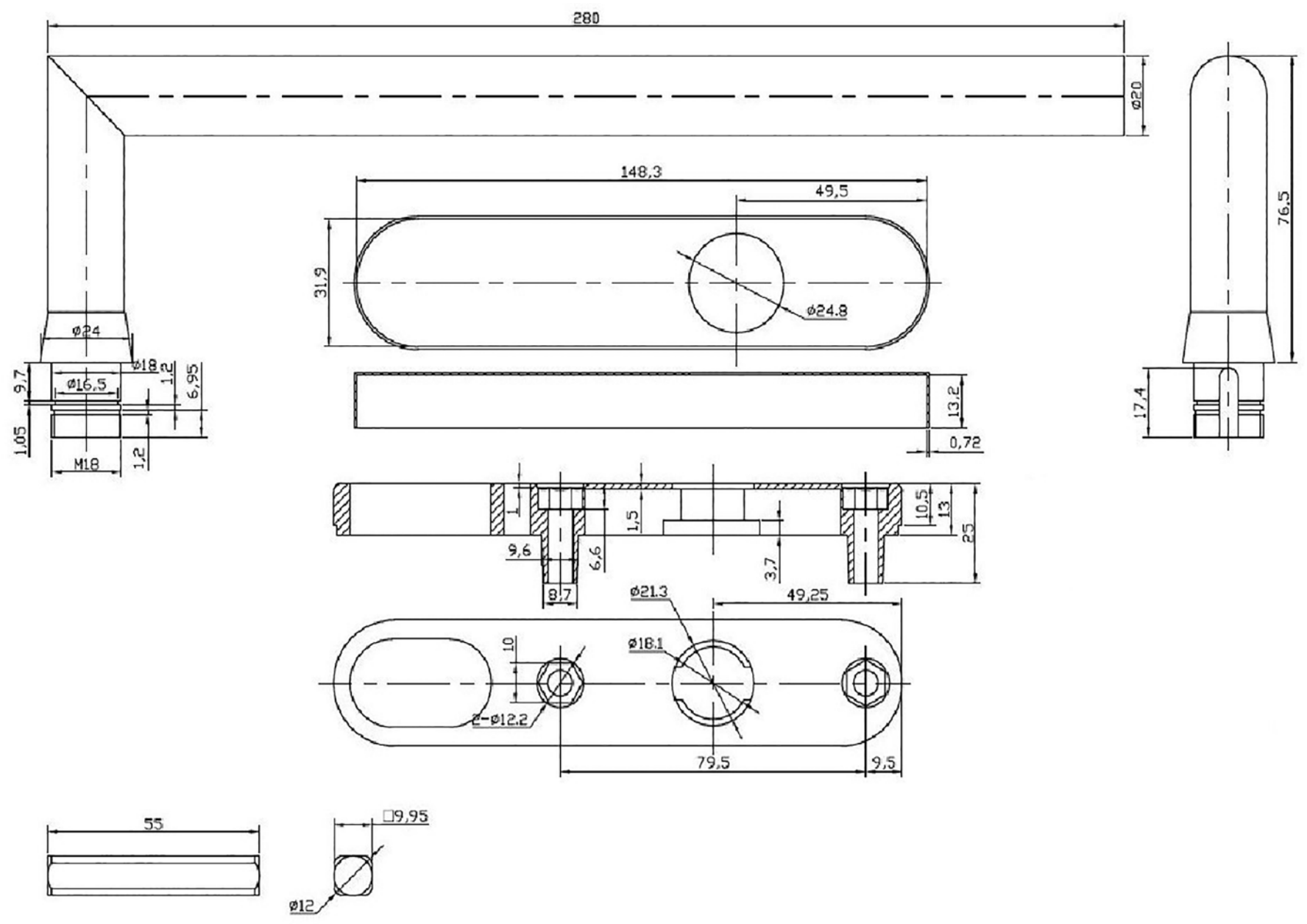
CR.DKSH1109

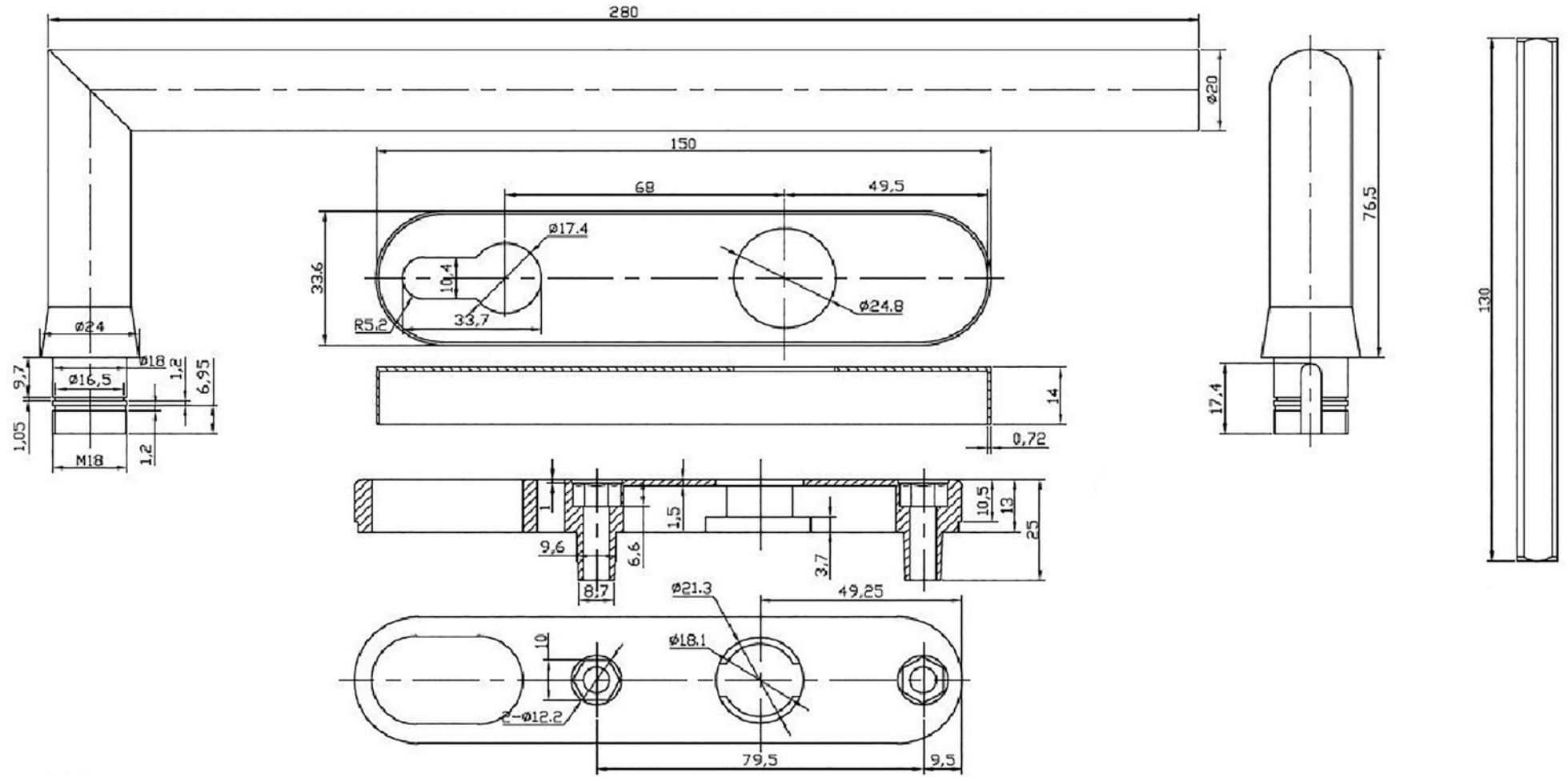
P. 58

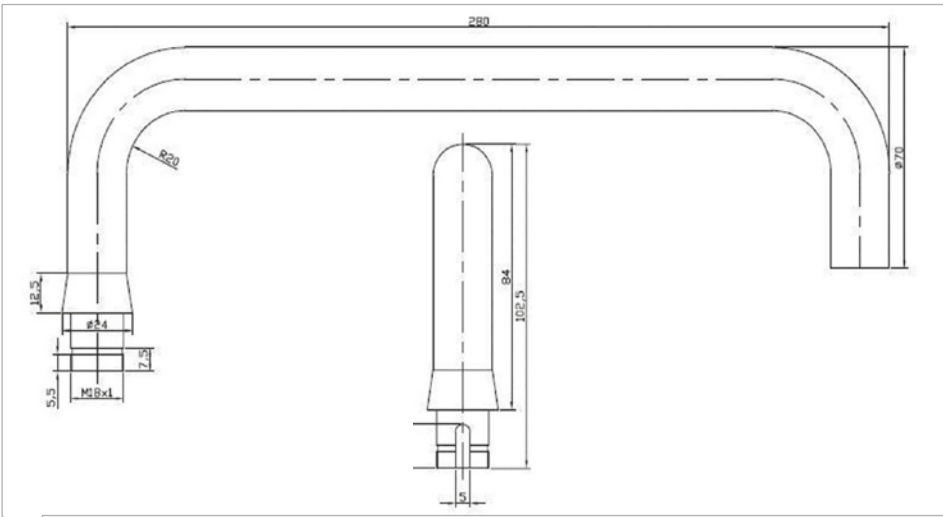




CR.LHL20SN

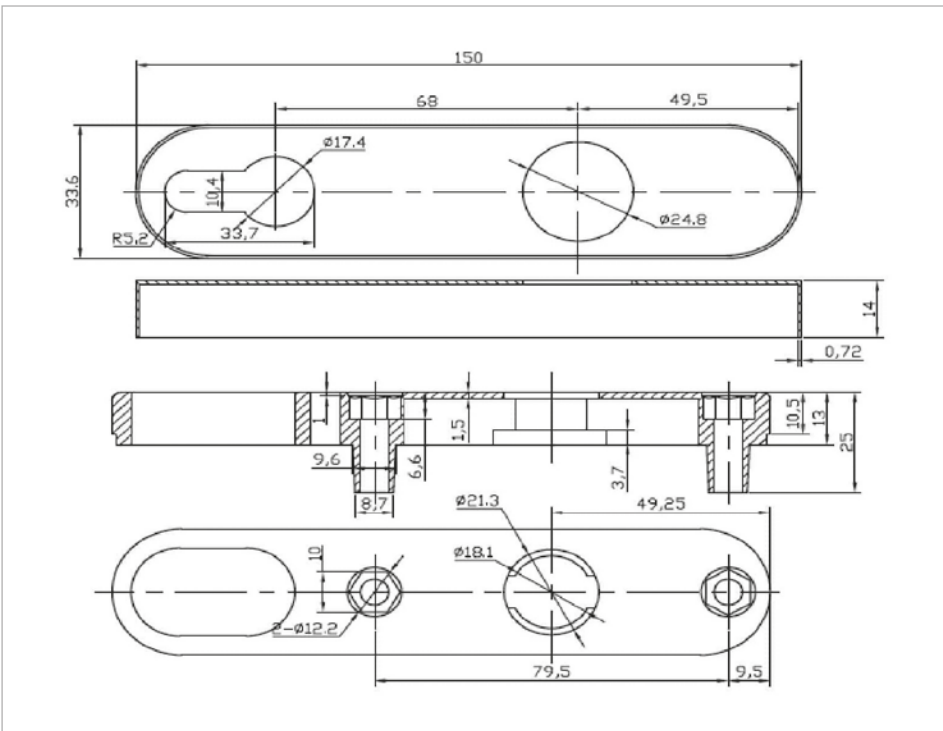






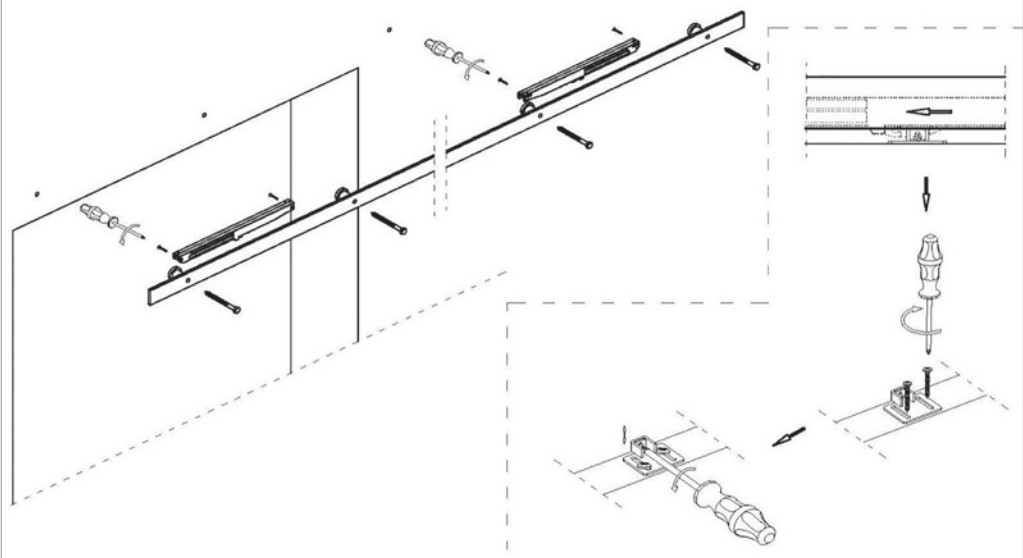
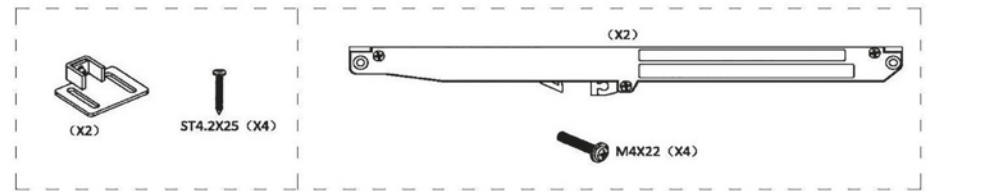
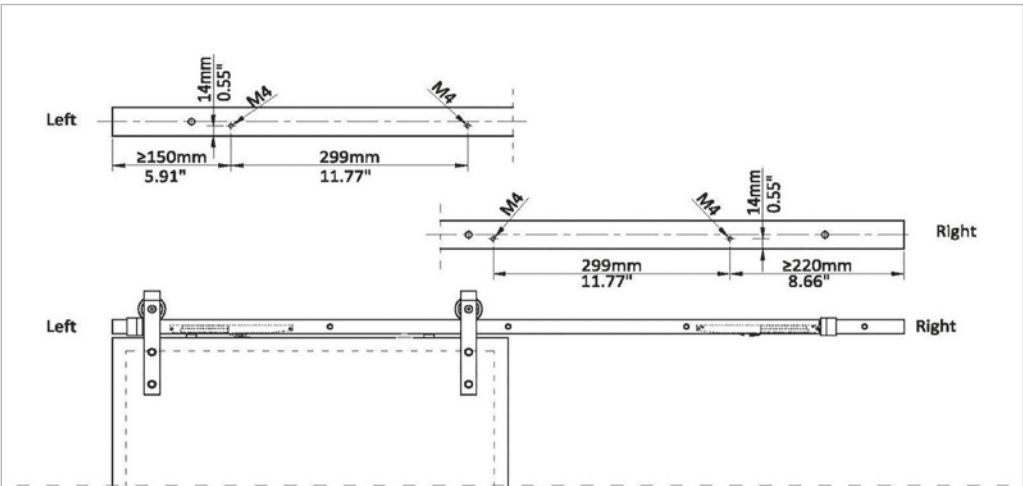
CR.LHU20

P. 62



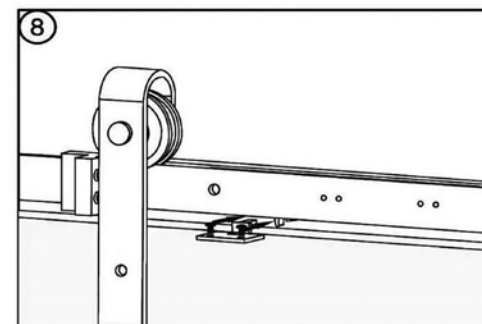
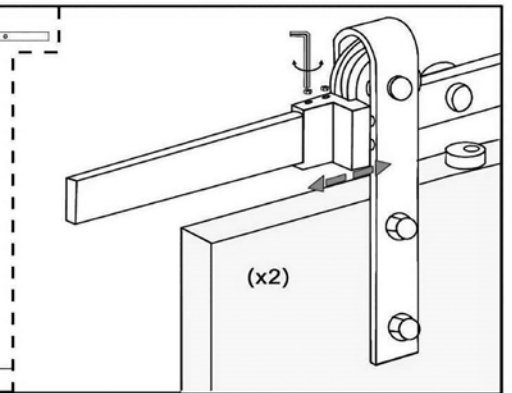
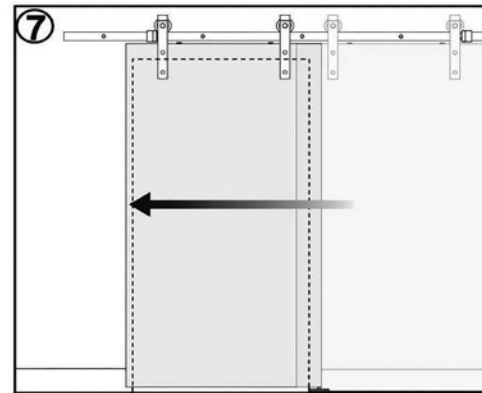
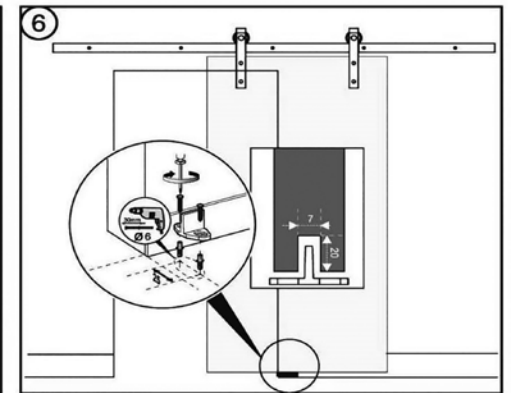
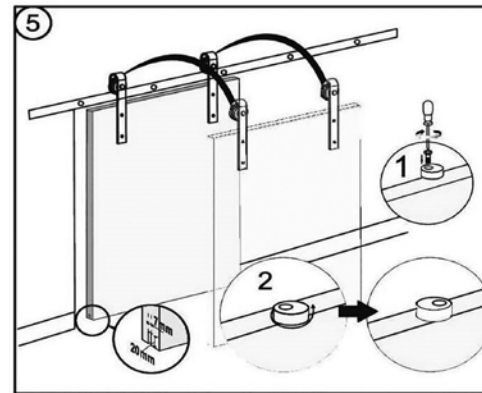
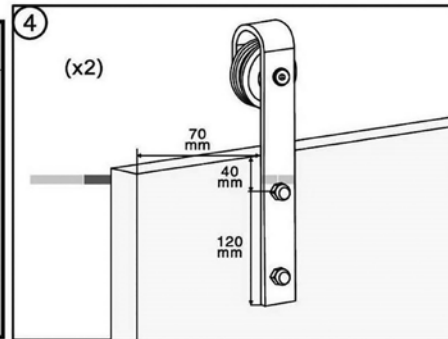
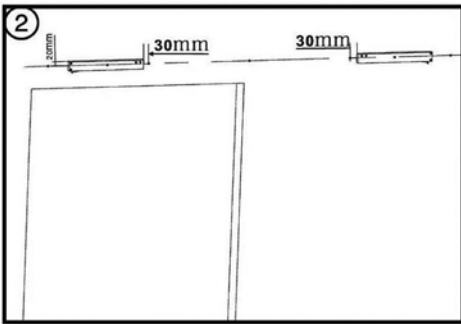
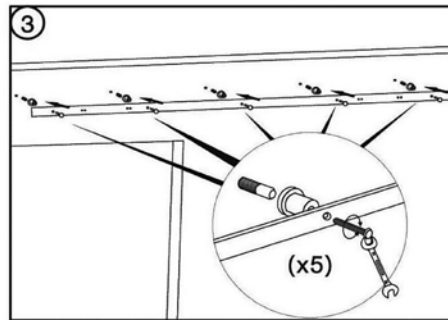
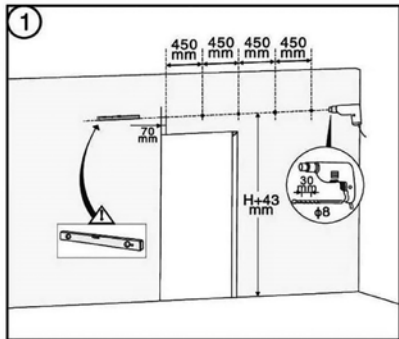
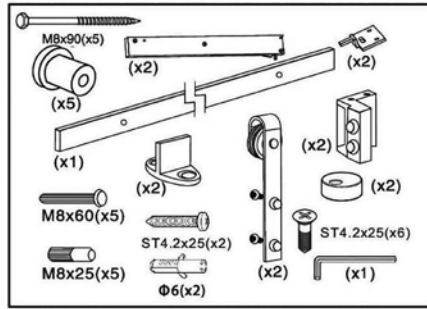
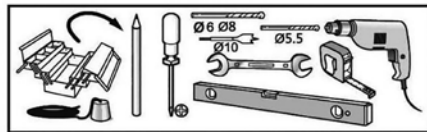
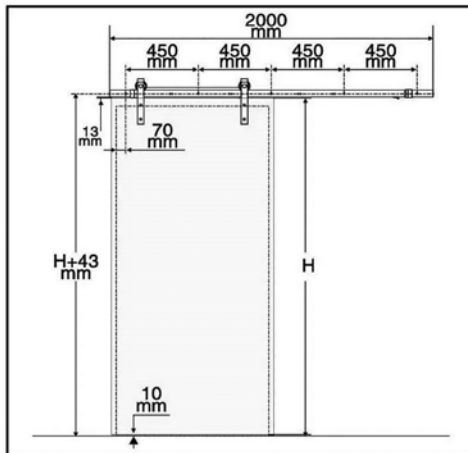
CR.LHCOYALE

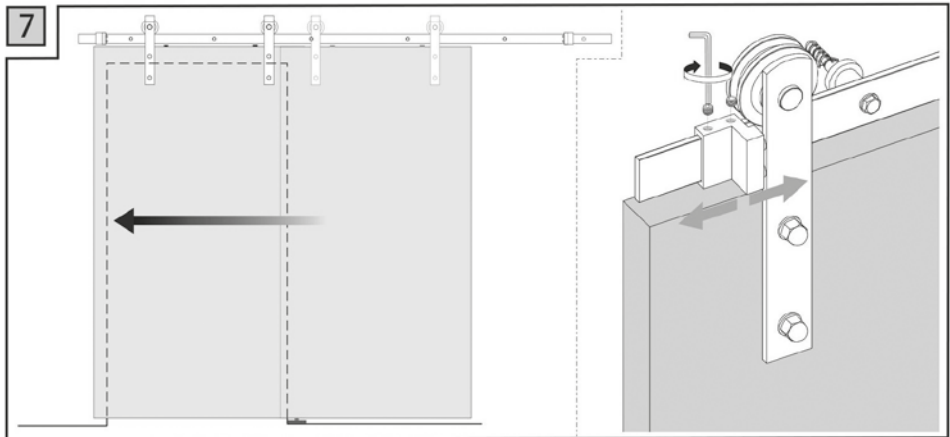
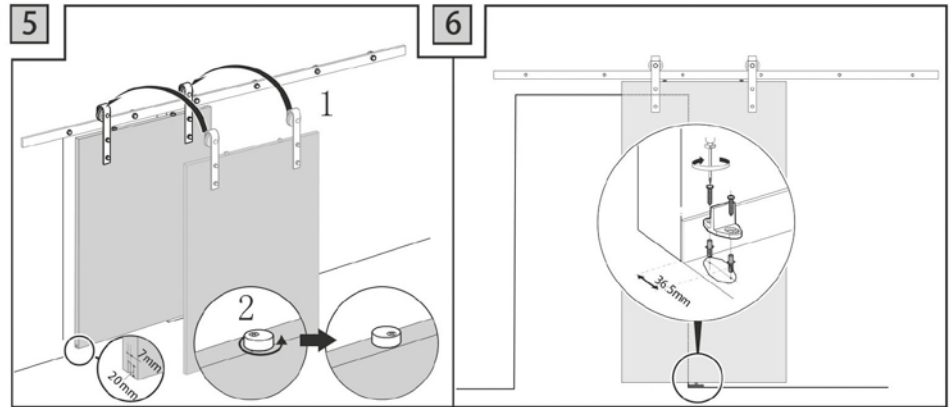
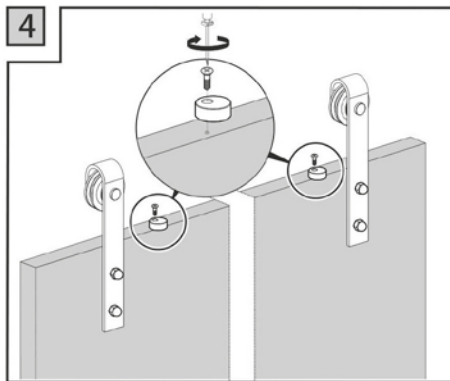
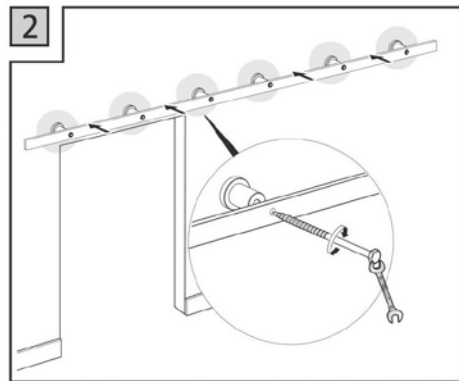
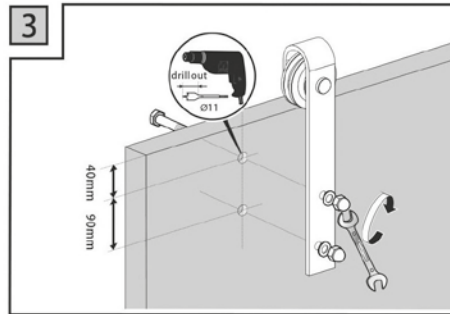
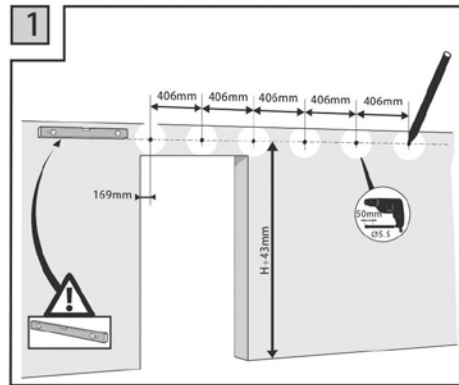
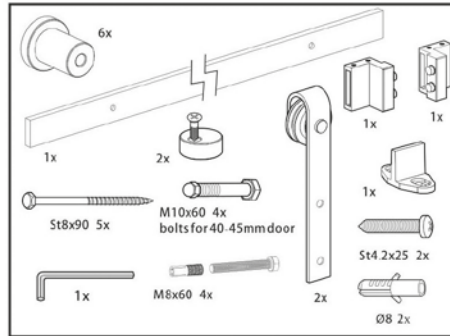
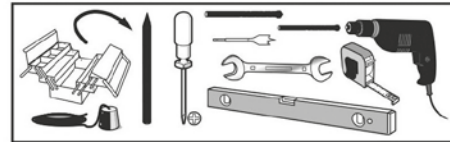
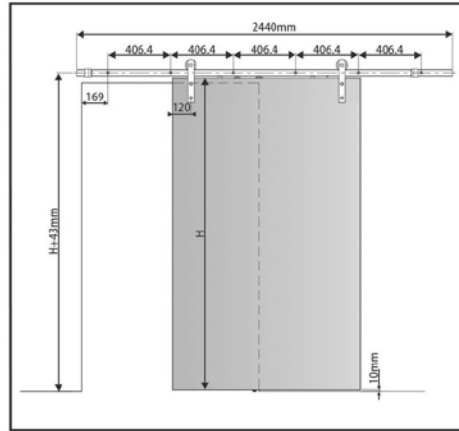
P. 62



CR.SOFTCLOSE

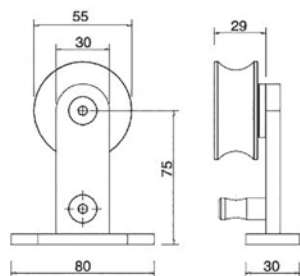
P. 66



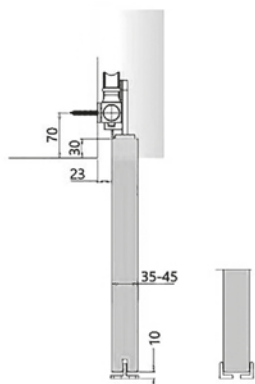
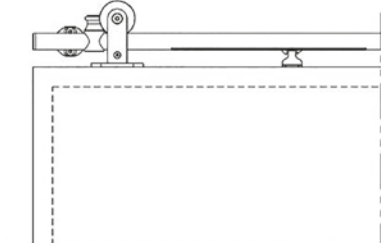




TR05-W1



WB400/TR05-W1



SPECIFICATIONS

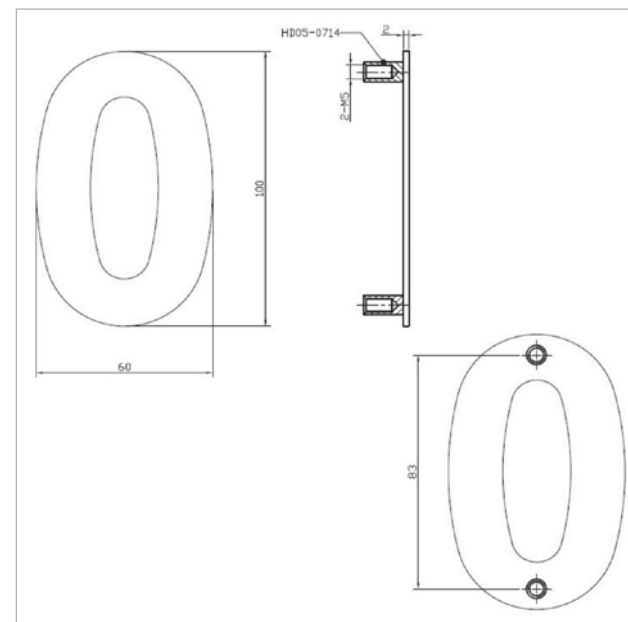
- . For 35-45mm wooden door
- . Max door weight 80kg
- . Track bar size: Ø25mm
- . Material: stainless steel
- . Finish: SSS/black

COMPONENTS

2pcs	2pcs	4pcs	2pcs	1pc	2pcs
TR05-W1 track roller	Wb107 track end plug	WB402 track bracket	WB800-02 roller stoper	SDS-U01A-06 door guide	WB800-01-004 soft closer(optional)

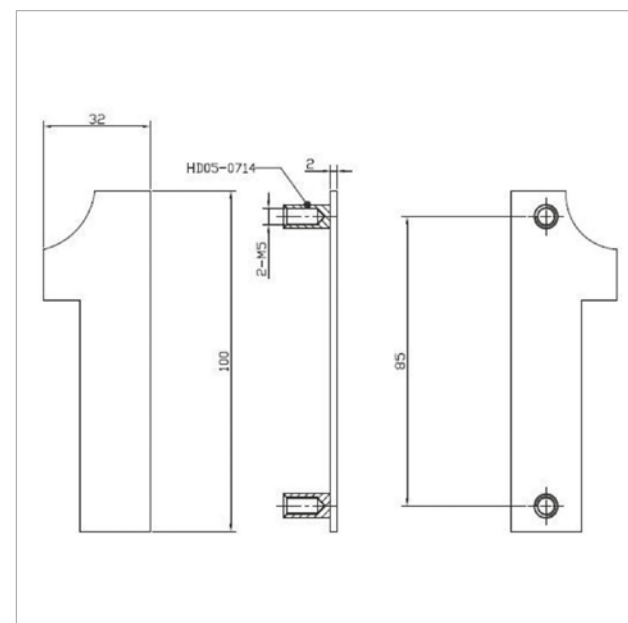
CR.BA1-WOOD

P. 67



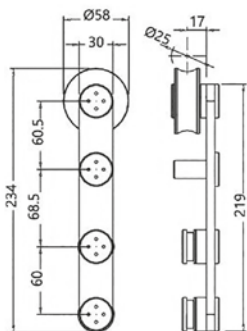
CR.HN100.0

P. 70



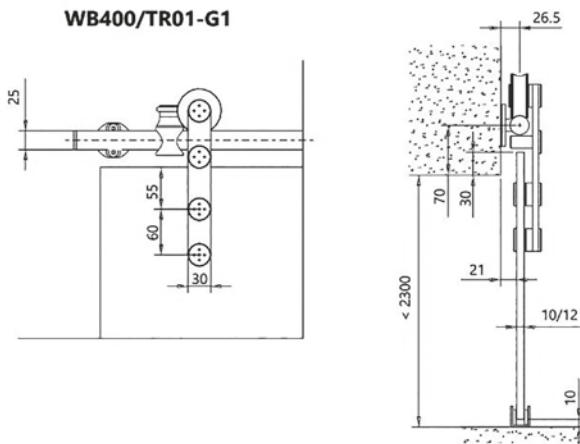
CR.HN100.1

P. 70



TR01-G1

WB400/TR01-G1



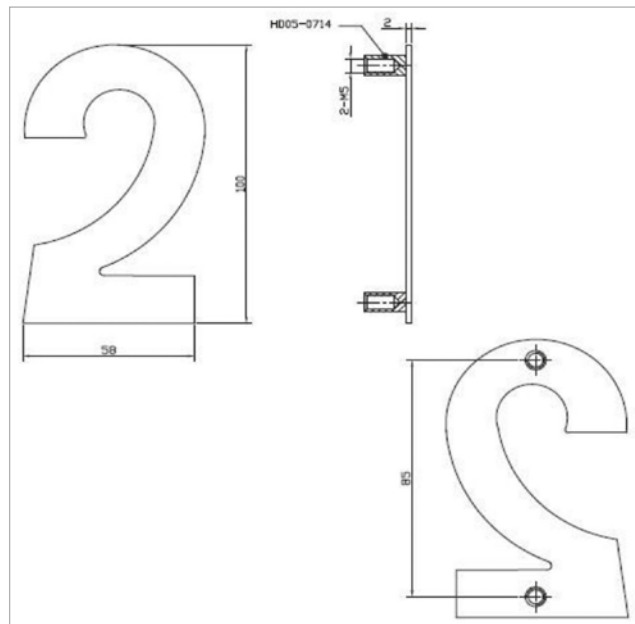
SPECIFICATIONS

- . For 10-12mm glass door
- . Max door weight 80kg
- . Track bar size: Ø25mm
- . Material: stainless steel
- . Finish: SSS/black

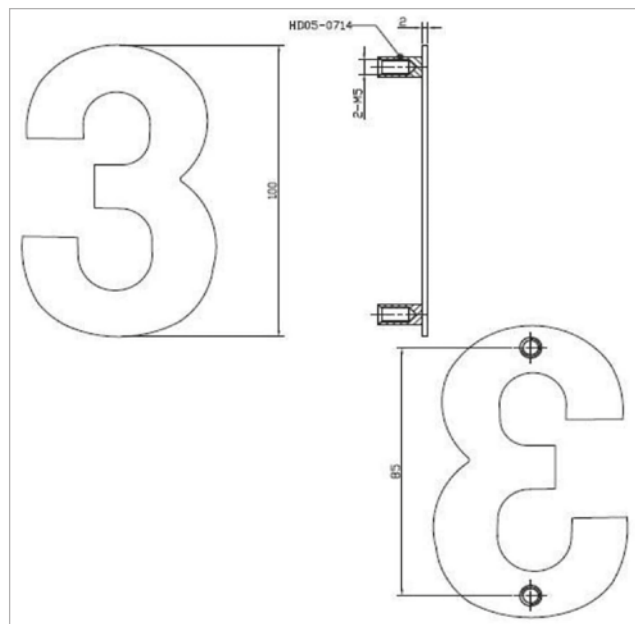
COMPONENTS

2pcs	2pcs	4pcs	2pcs	1pc	2pcs
TR01-G1 track roller	Wb107 track end plug	WB402 track bracket	WB800-02 roller stopper	SDS-C01-06 door guide	WB800-01-004 soft closer(optional)

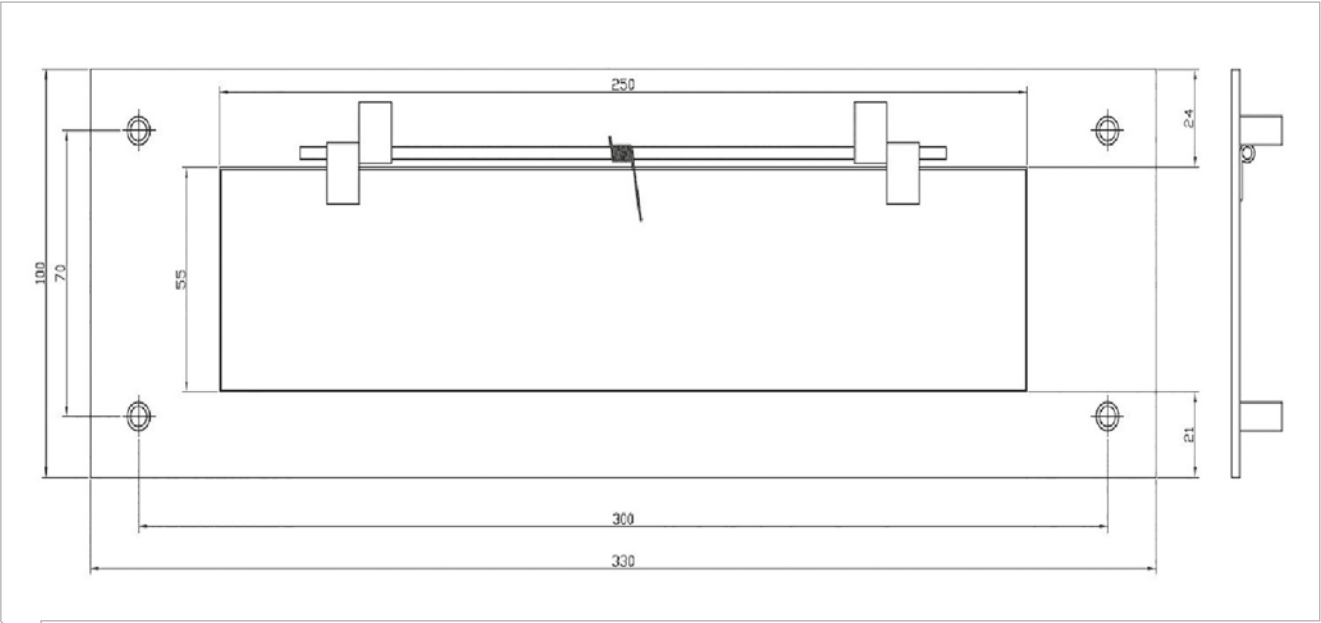
CR.BA1-GLASS



CR.HN1002

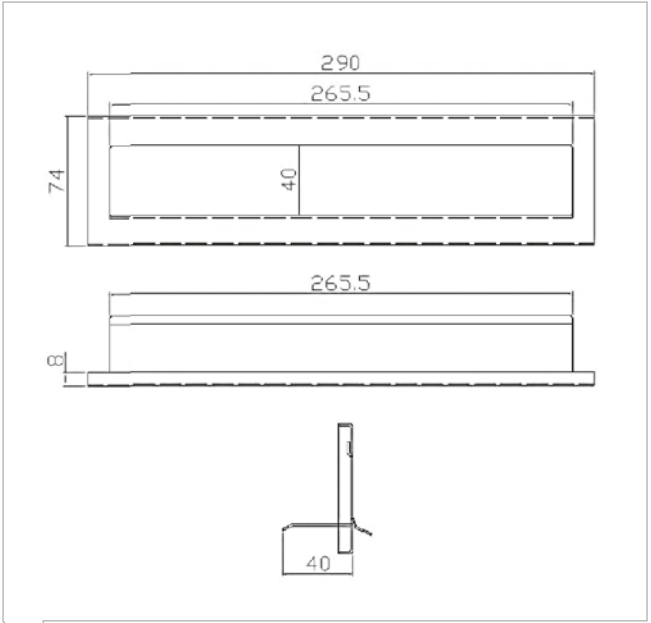


CR.HN1003



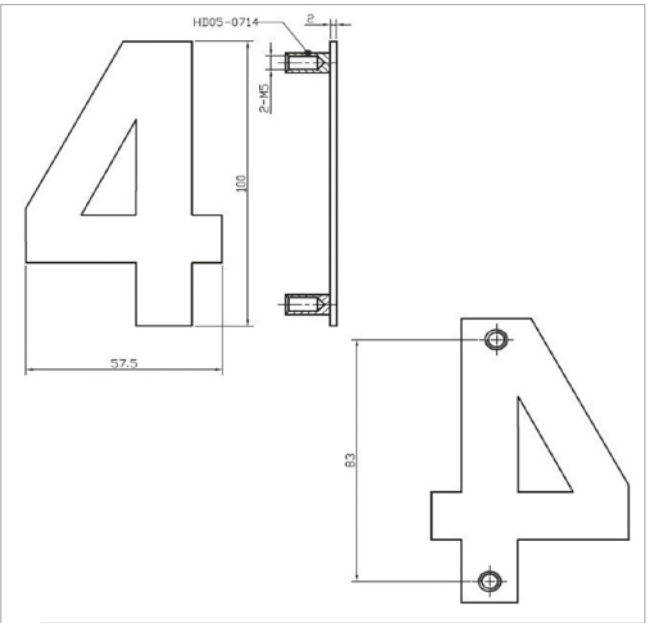
CR.LE001

P. 70



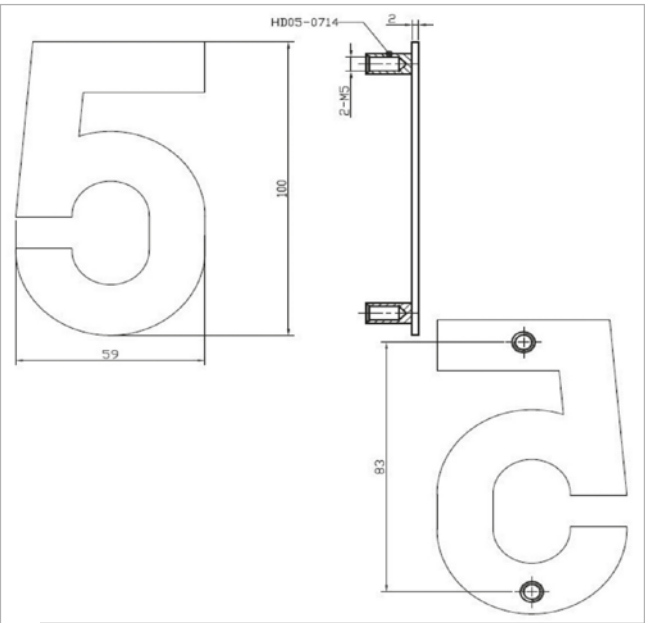
CR.LE003

P. 70



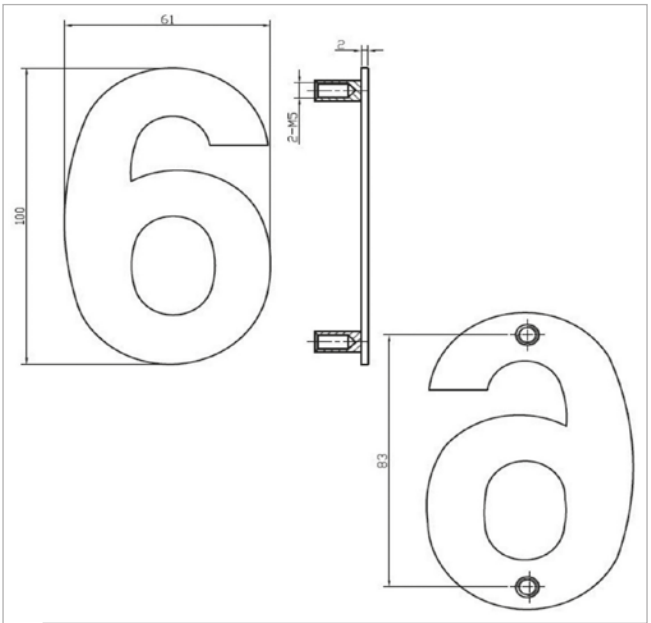
CR.HN100.4

P. 70



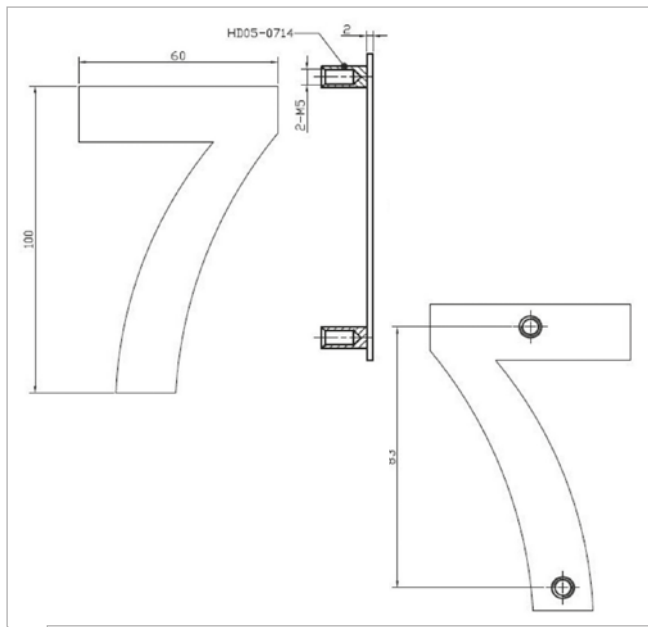
CR.HN100.5

P. 70



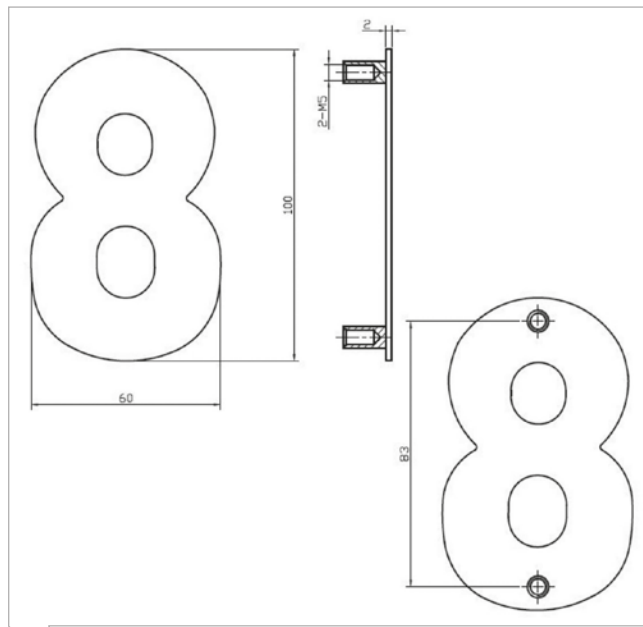
CR.HN100.6

P. 70



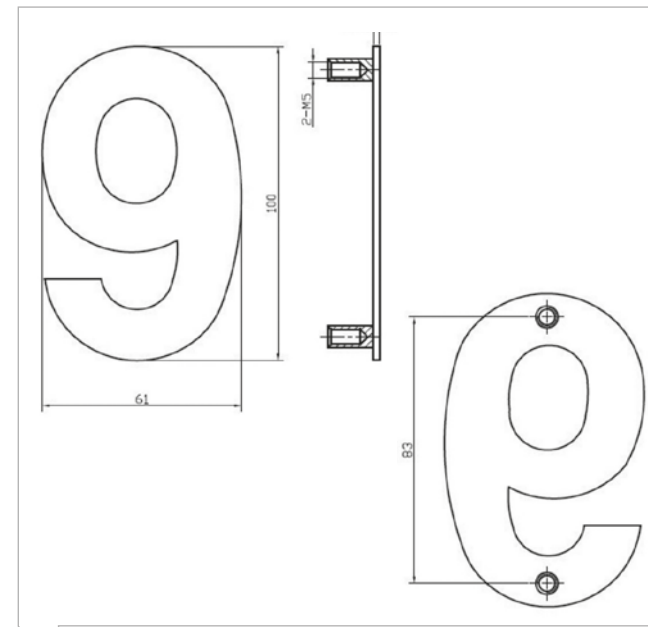
CR.HN100.7

P. 70



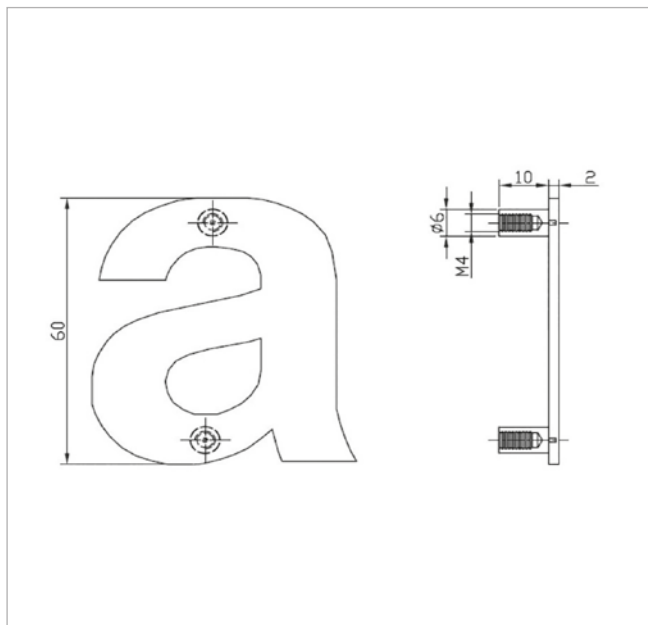
CR.HN100.8

P. 70



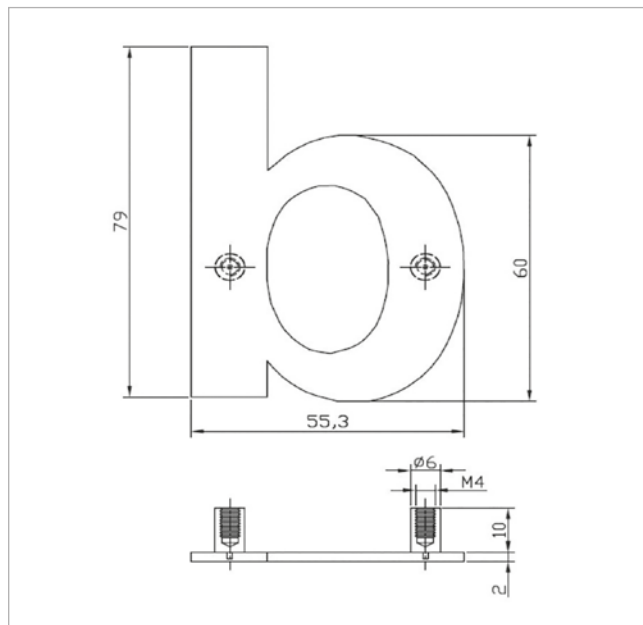
CR.HN100.9

P. 70



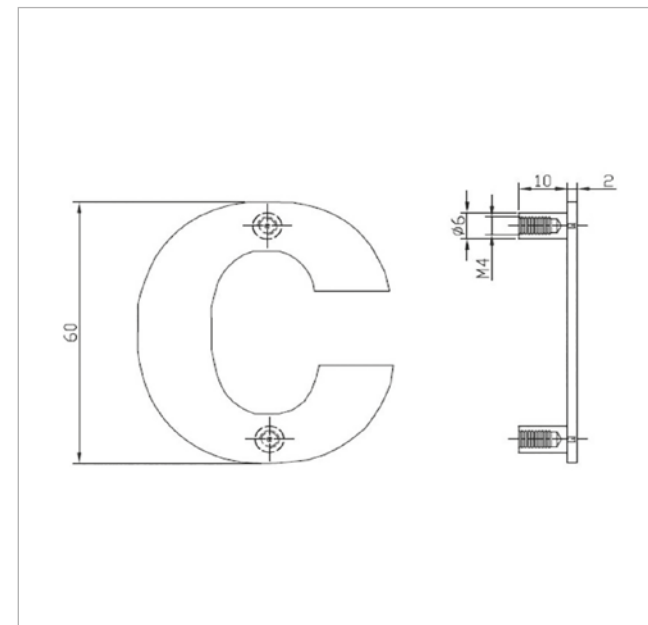
CR.HN100.A

P. 70



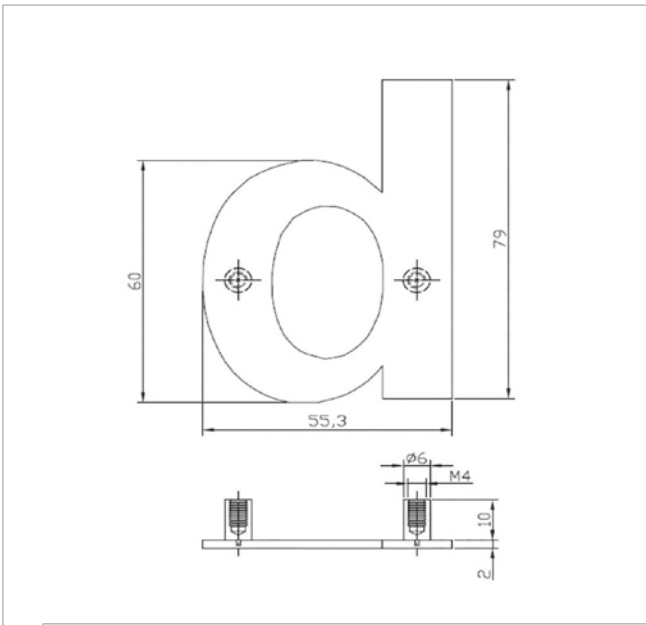
CR.HN100.B

P. 70



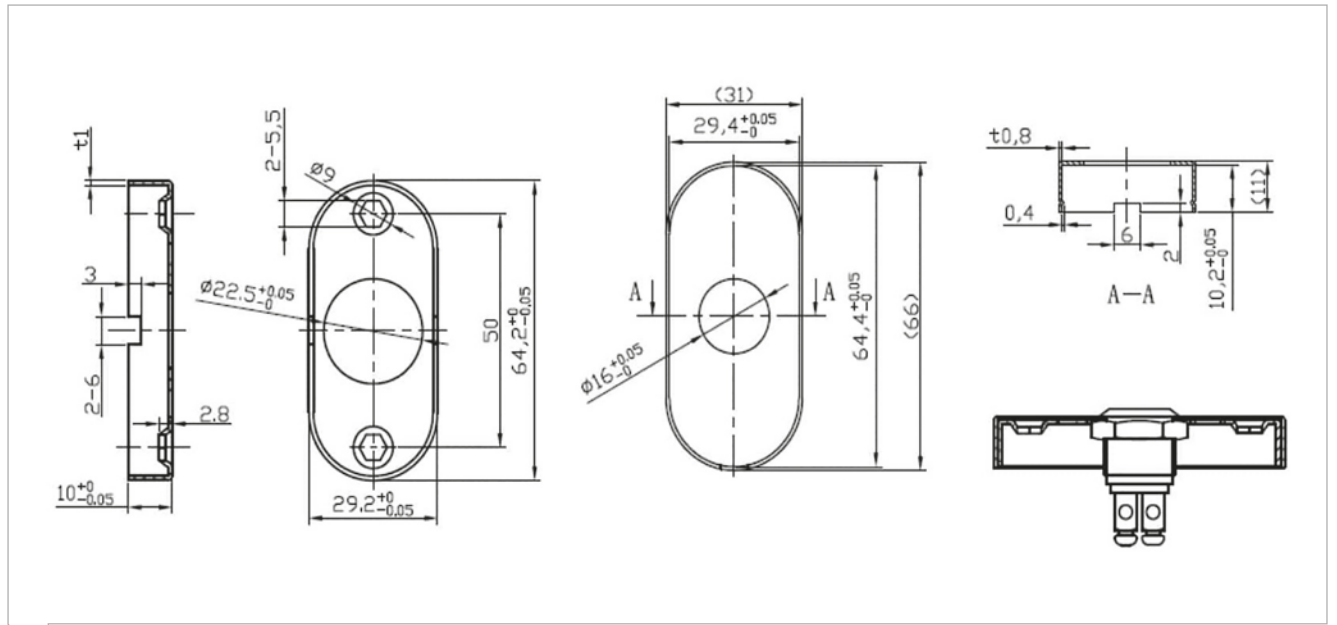
CR.HN100.C

P. 70



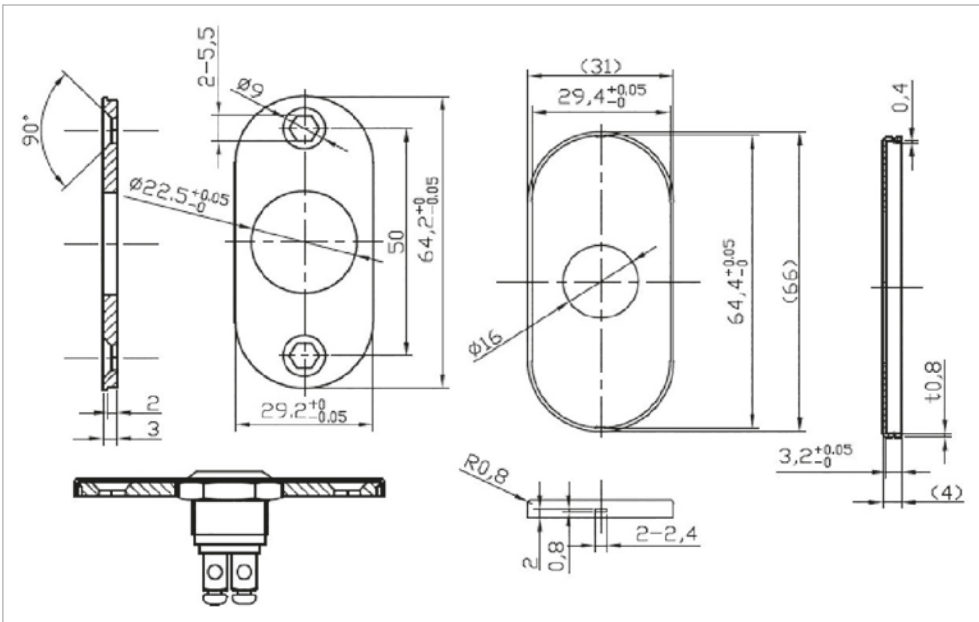
CR.HN100.D

P. 70



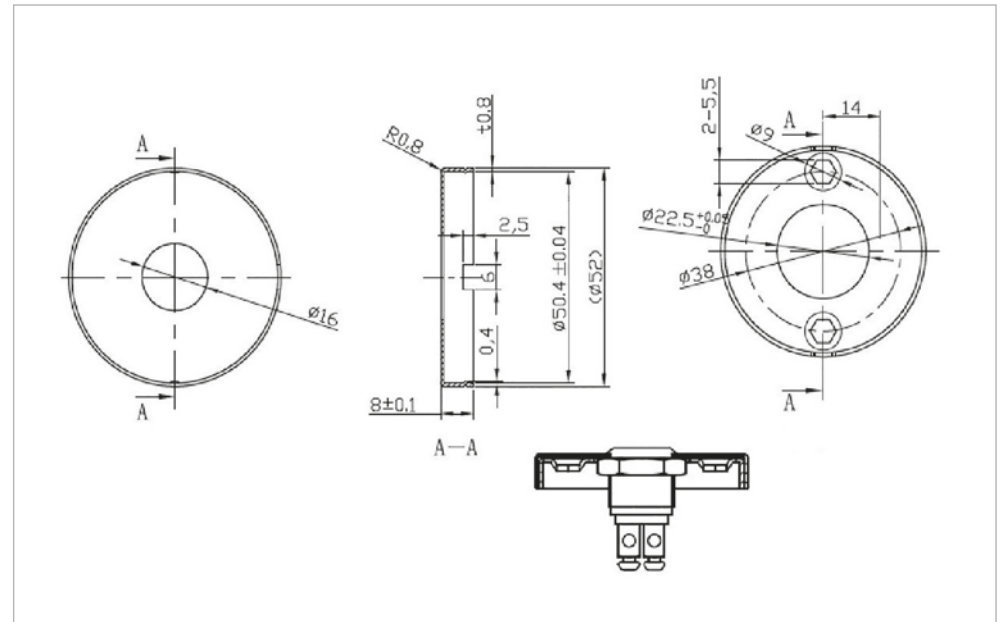
CR.DBOV8

P. 71



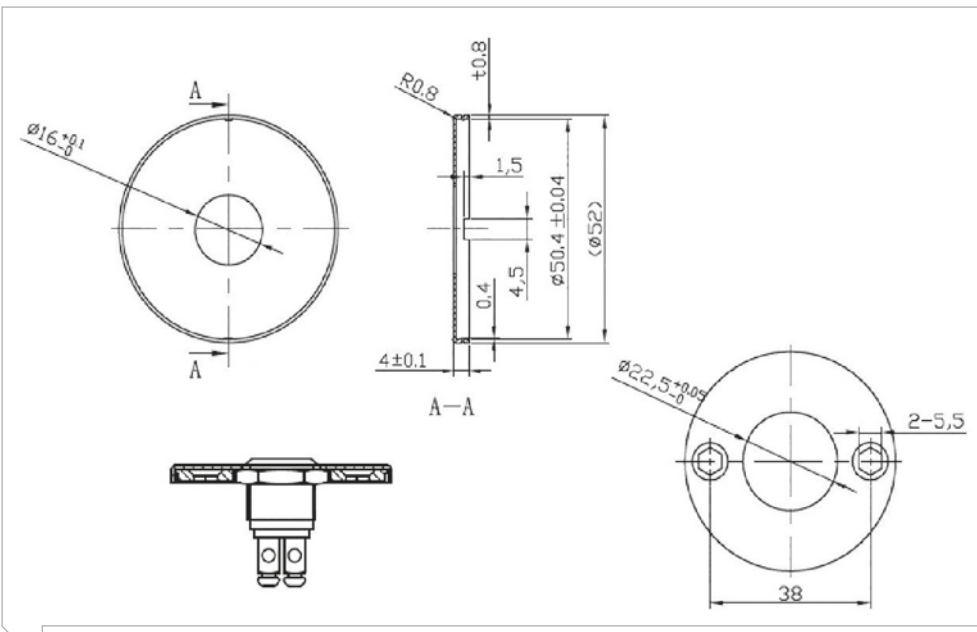
CR.DBOV4

P. 71



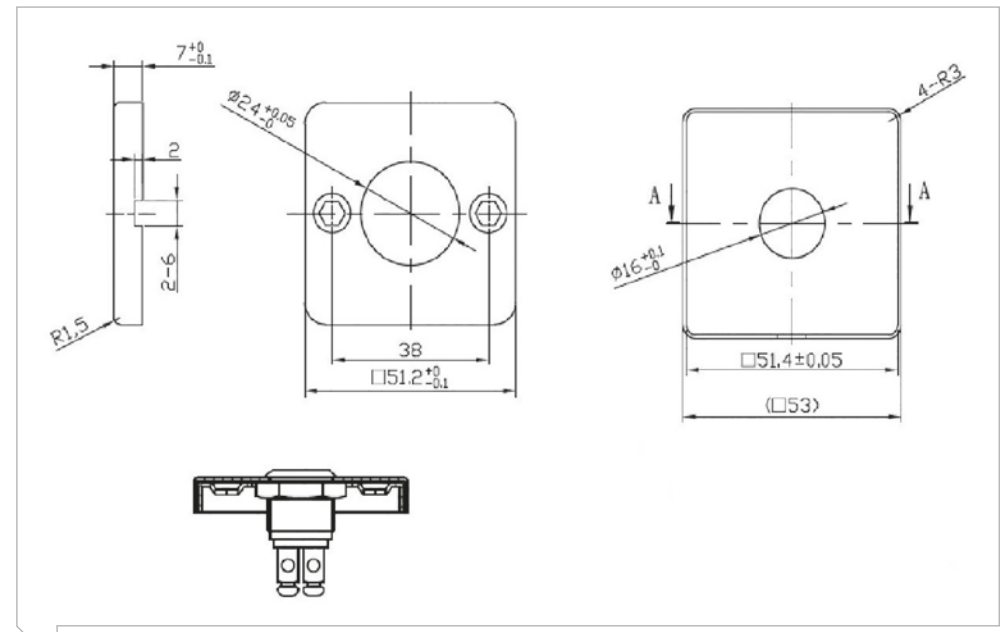
CR.DBR8

P. 71



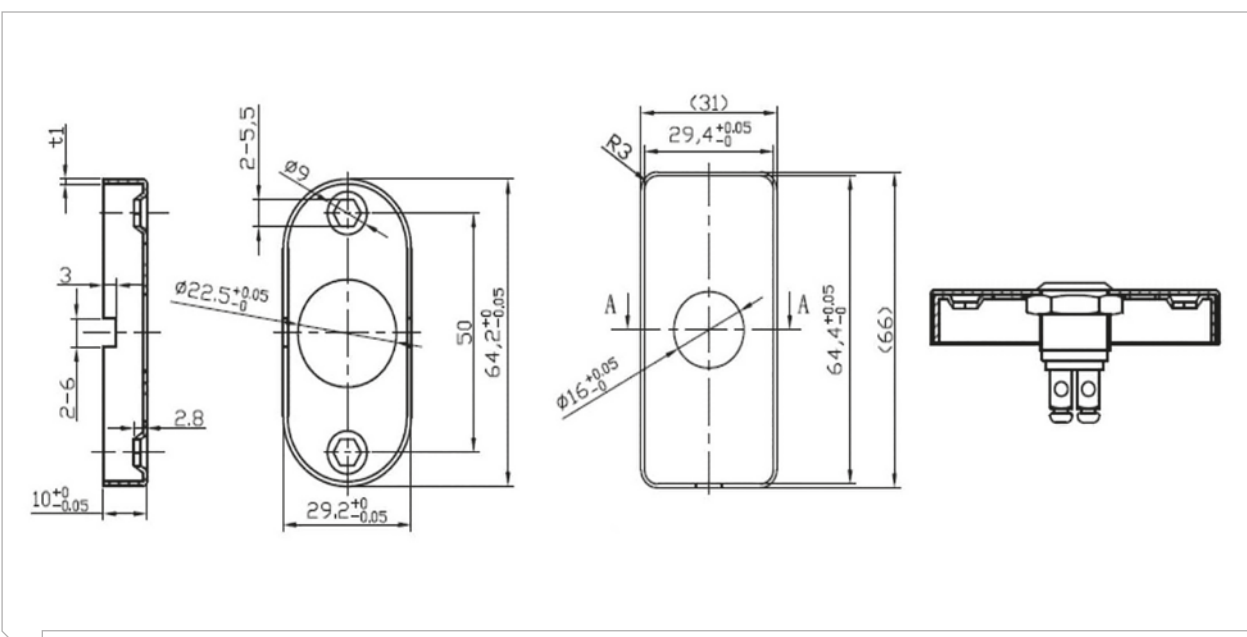
CR.DBR4

P. 71



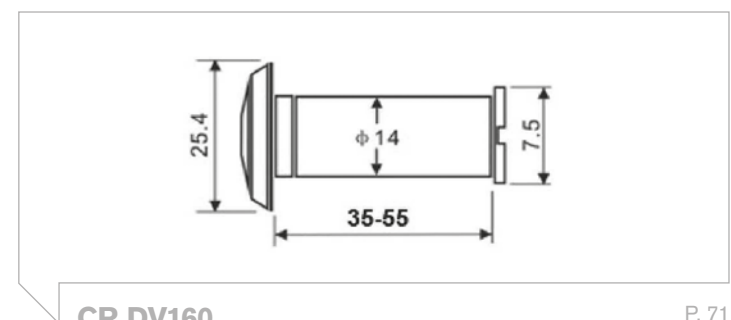
CR.DBSQ8

P. 71



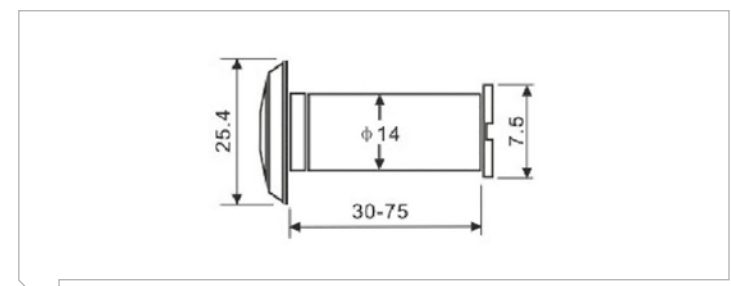
CR.DBSR8

P. 71



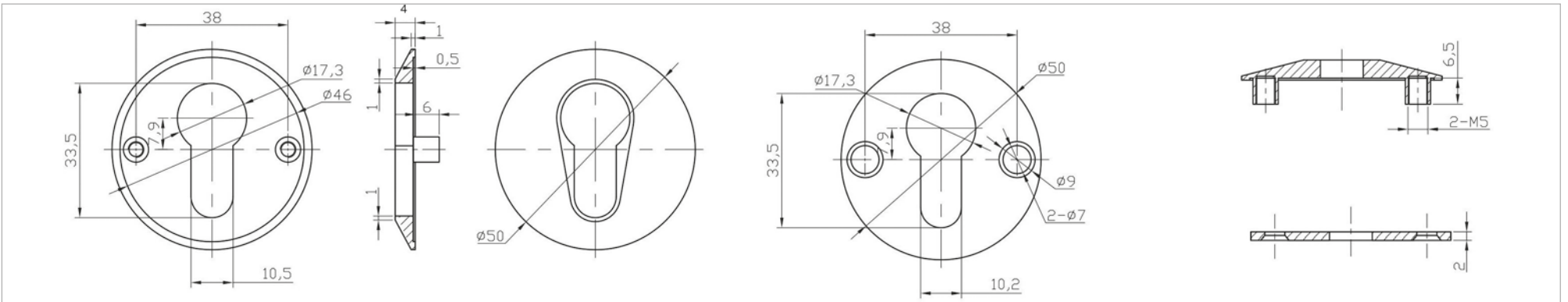
CR.DV160

P. 71



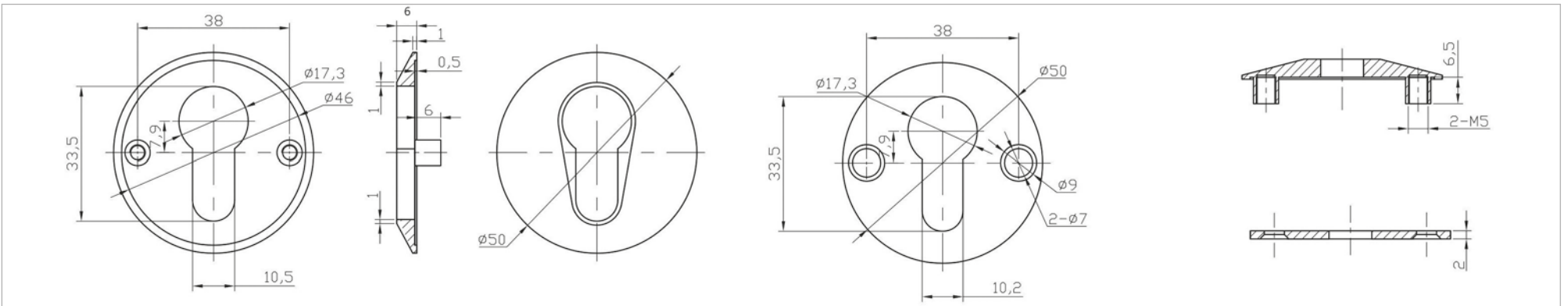
CR.DV180

P. 71



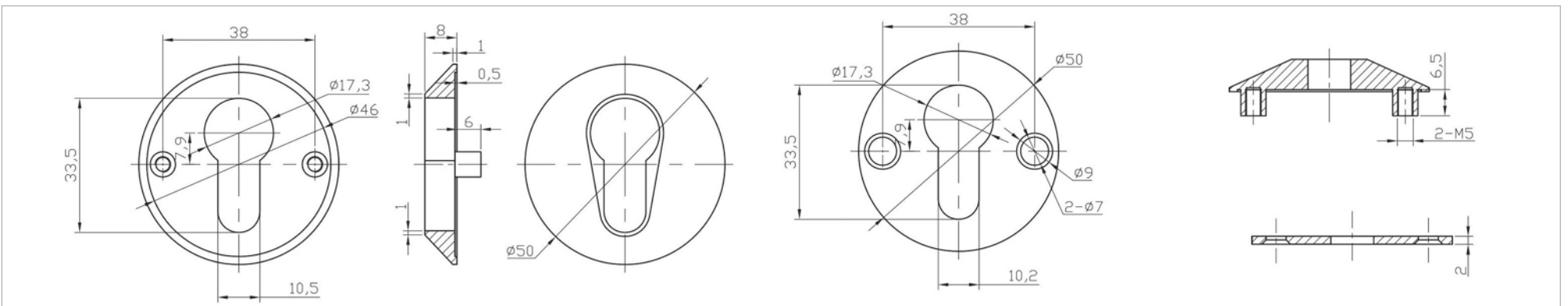
CR.BYR/04

P. 72



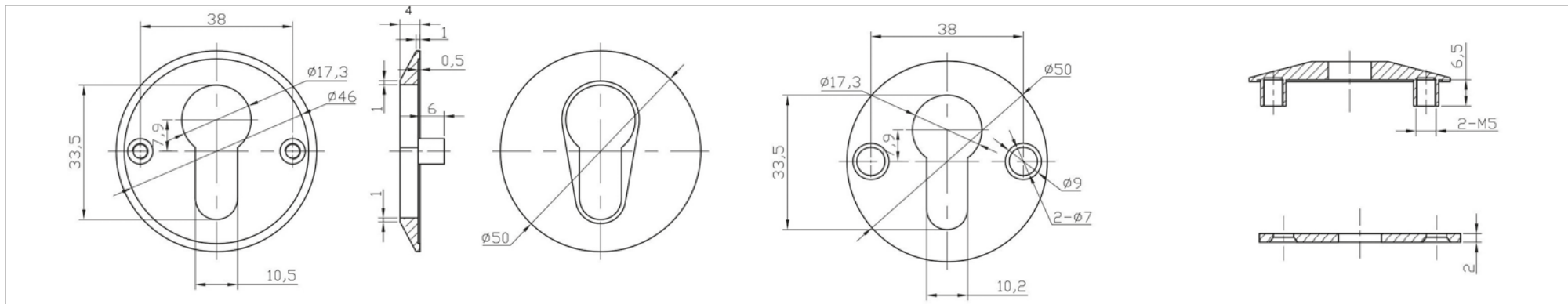
CR.BYR/06

P. 72



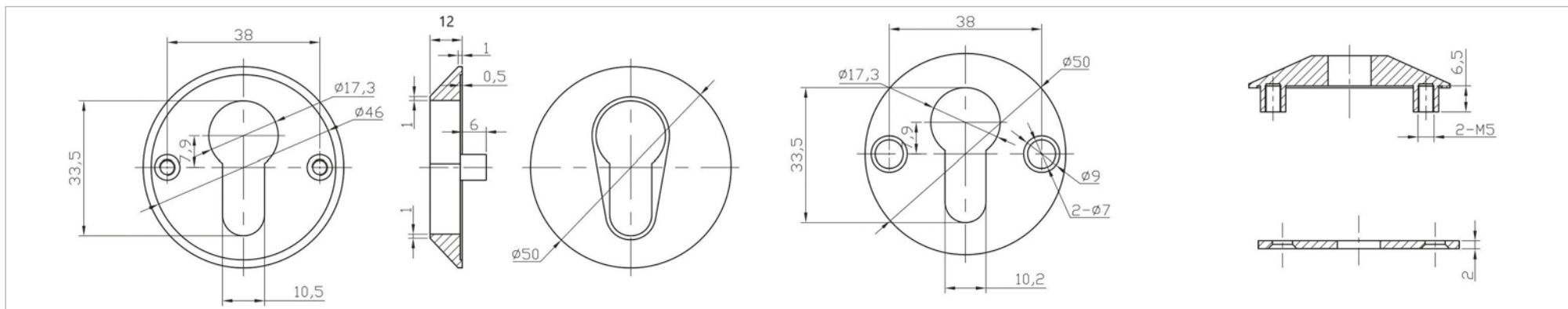
CR.BYR/08

P. 72



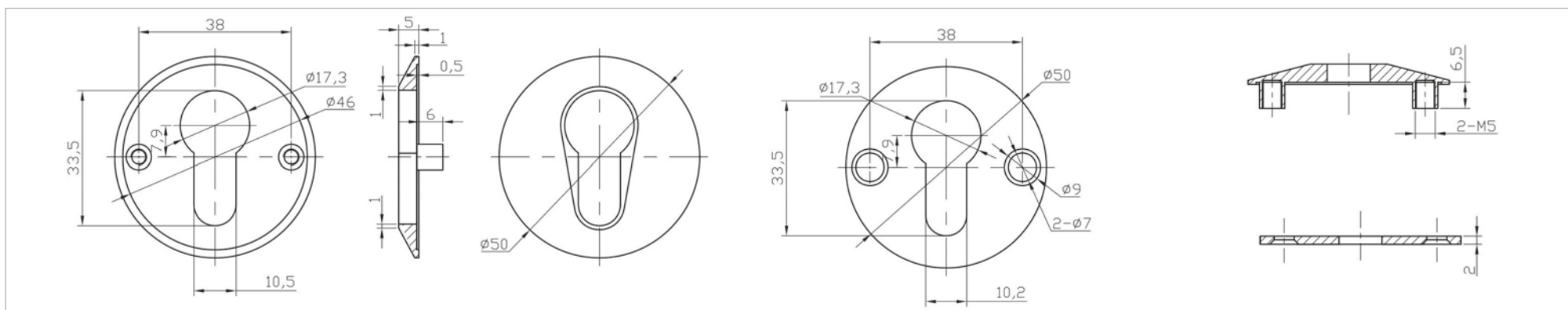
CR.BYR/10

P. 72



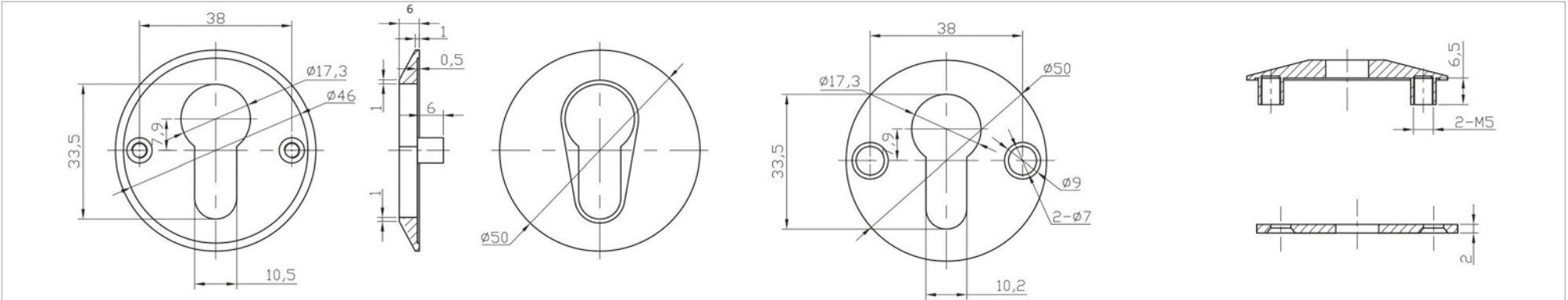
CR.BYR/12

P. 72



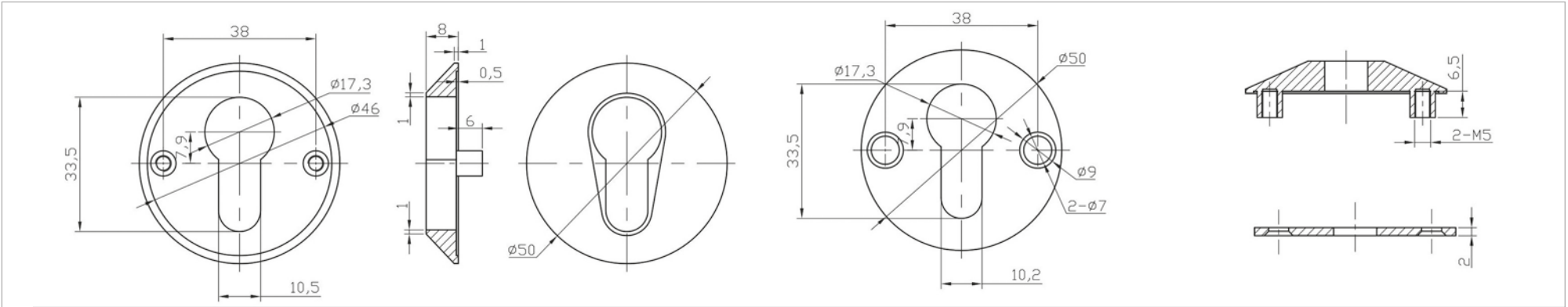
CR.BYR/80.04

P. 72



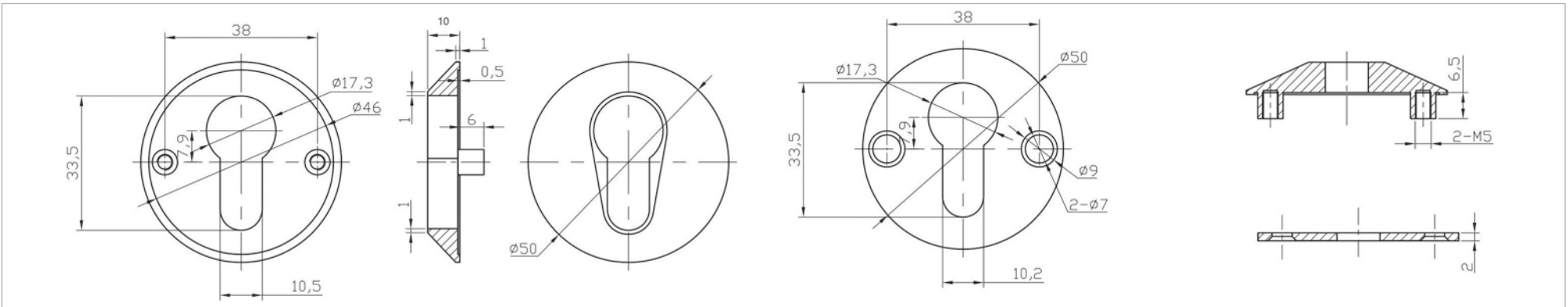
CR.BYR/80.06

P. 72



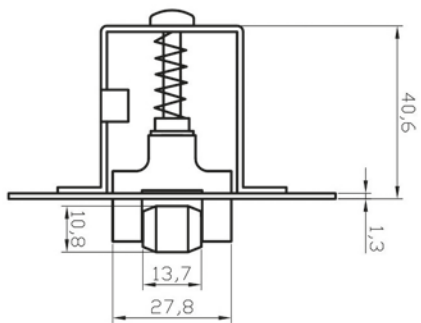
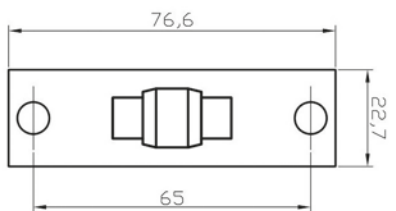
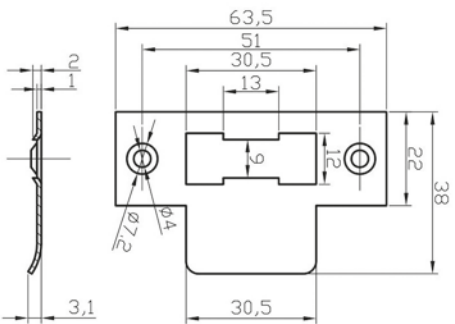
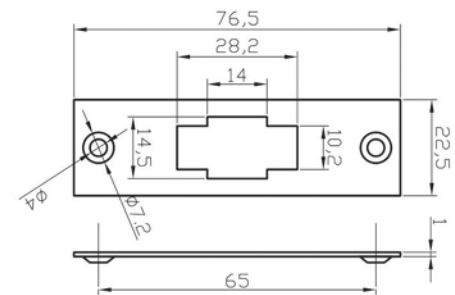
CR.BYR/80.08

P. 72



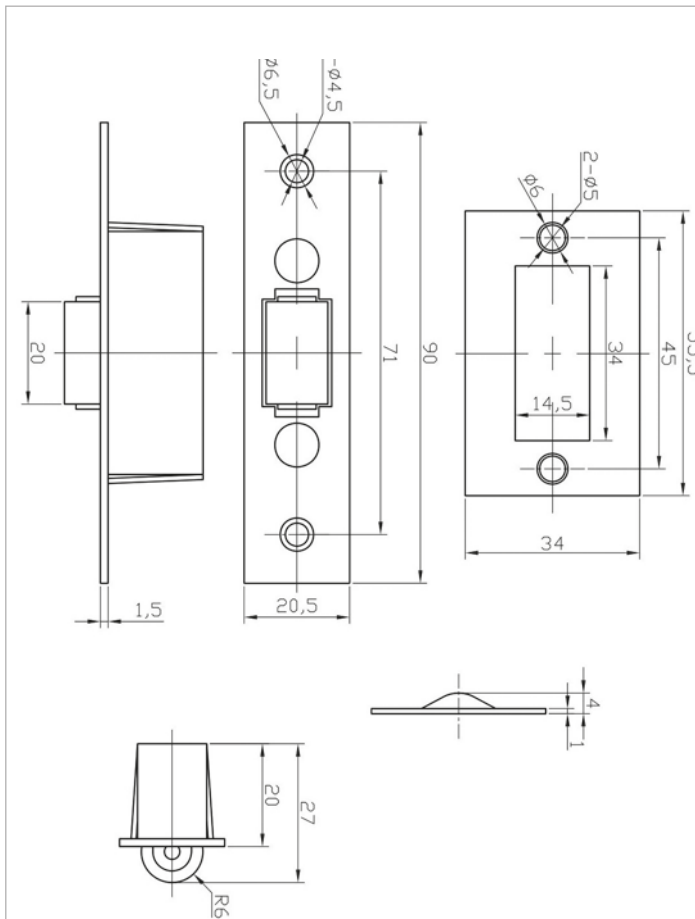
CR.BYR/80.10

P. 72



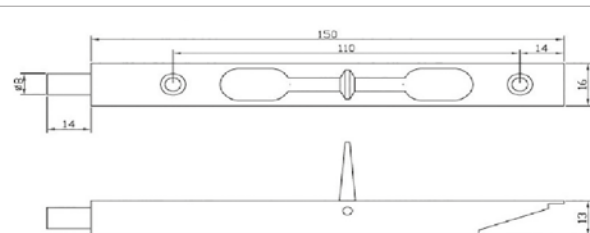
CR.BC004

P. 73



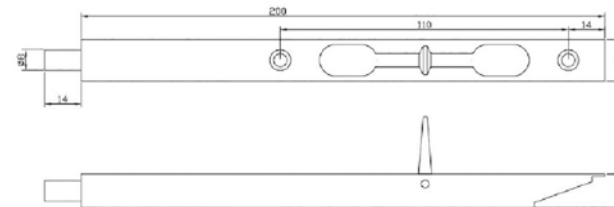
CR.BC002

P. 73



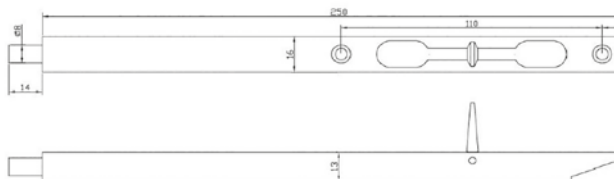
CR.BDB00316

P. 73



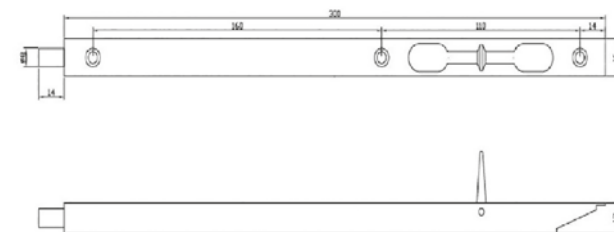
CR.BDB00320

P. 73



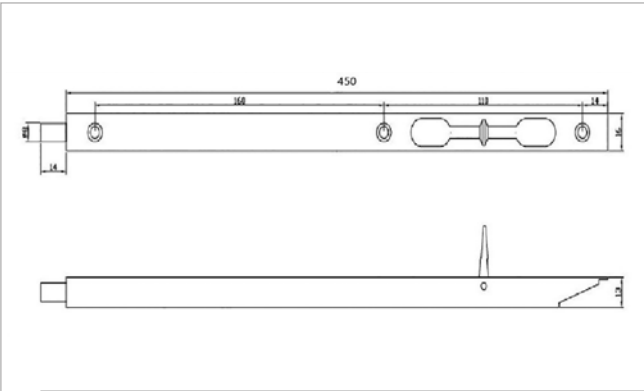
CR.BDB00325

P. 73



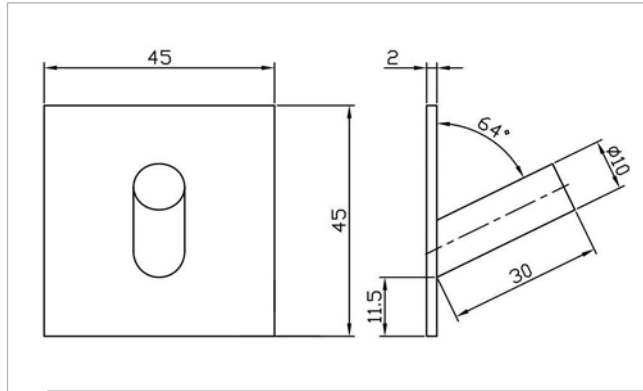
CR.BDB00330

P. 73



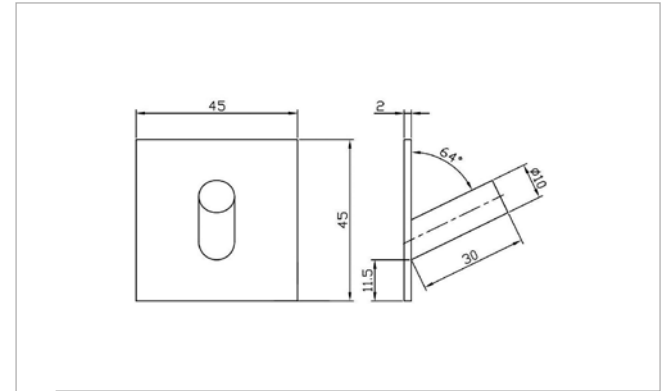
CR.BDB00450

P. 73



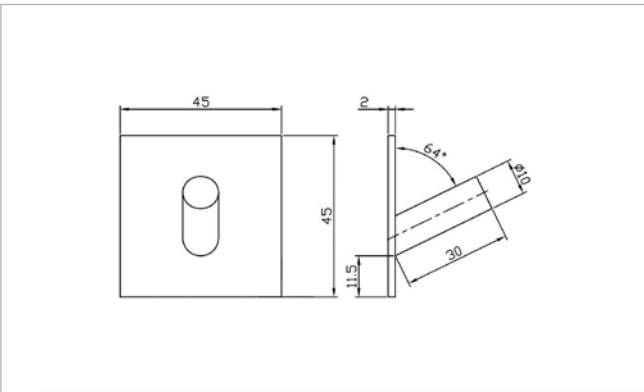
CR.621092.20

P. 76



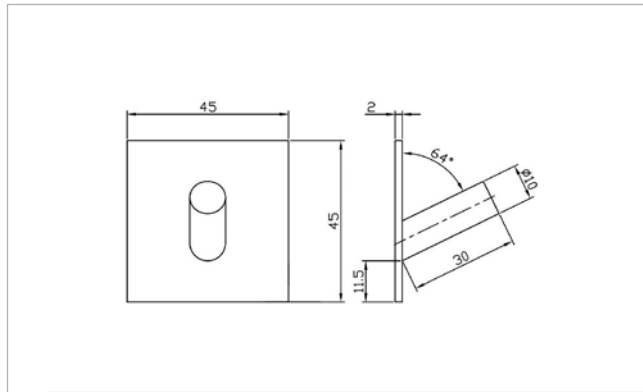
CR.621092.80

P. 76



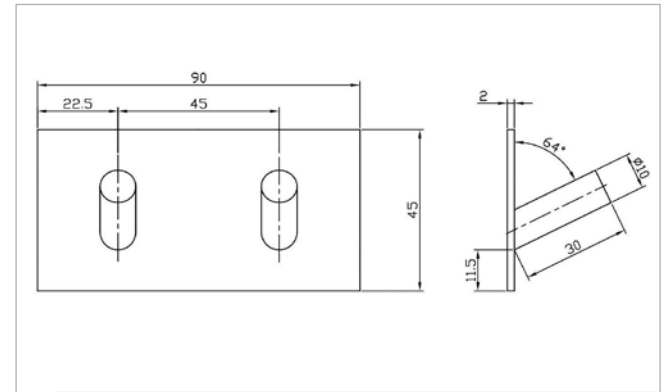
CR.621092.90

P. 76



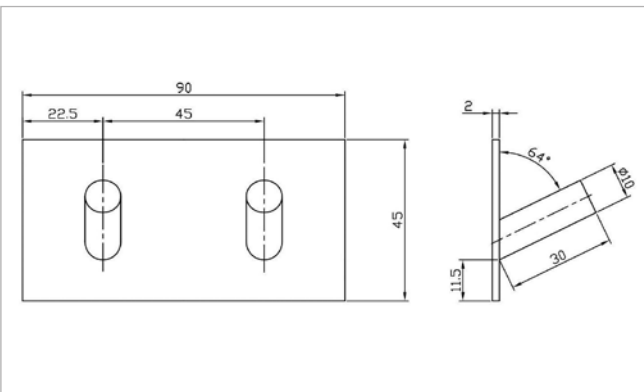
CR.621092.99

P. 76



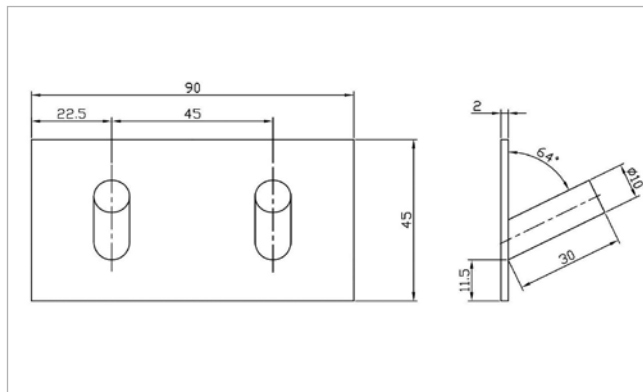
CR.921093.20

P. 76



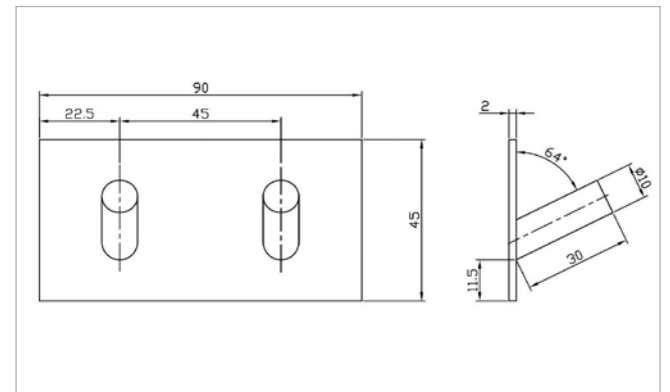
CR.921093.80

P. 76



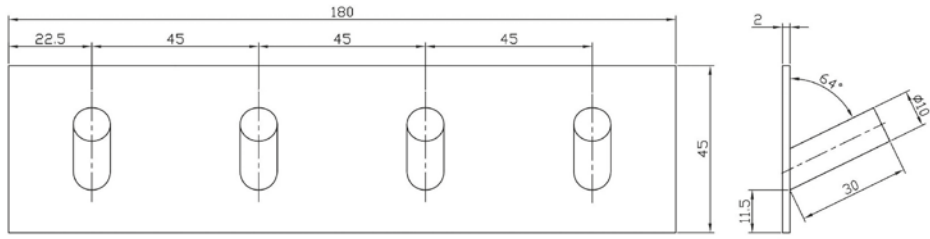
CR.921093.90

P. 76



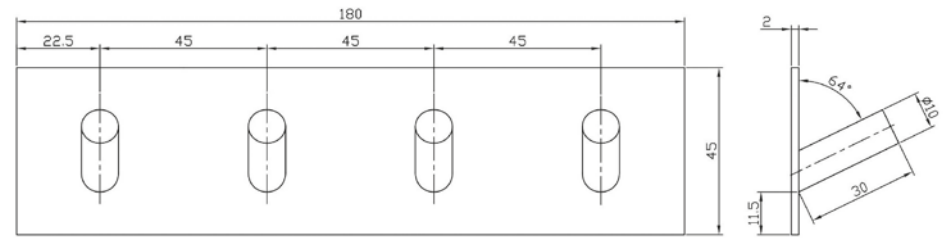
CR.921093.99

P. 76



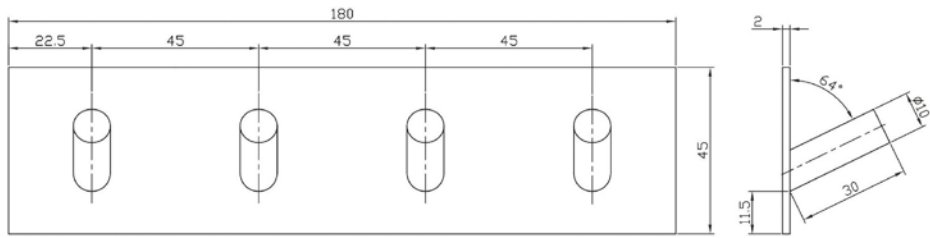
CR.621096.20

P. 76



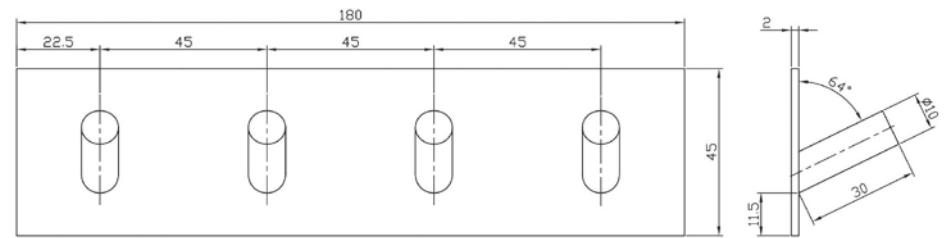
CR.621096.80

P. 76



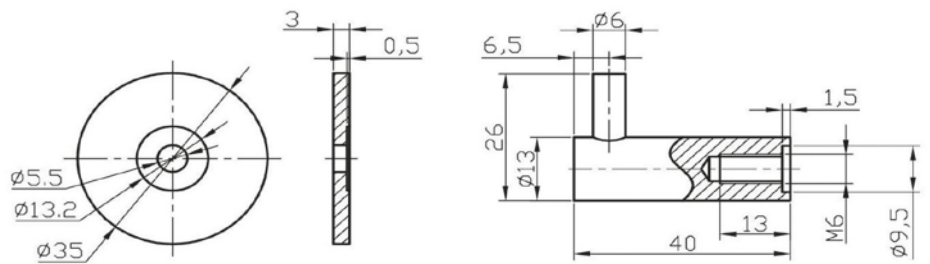
CR.621096.90

P. 76



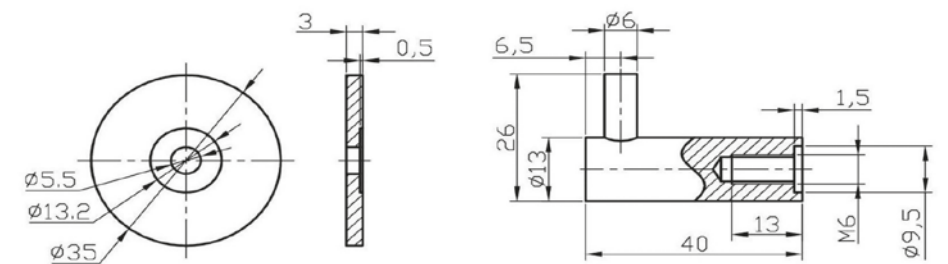
CR.621096.99

P. 76



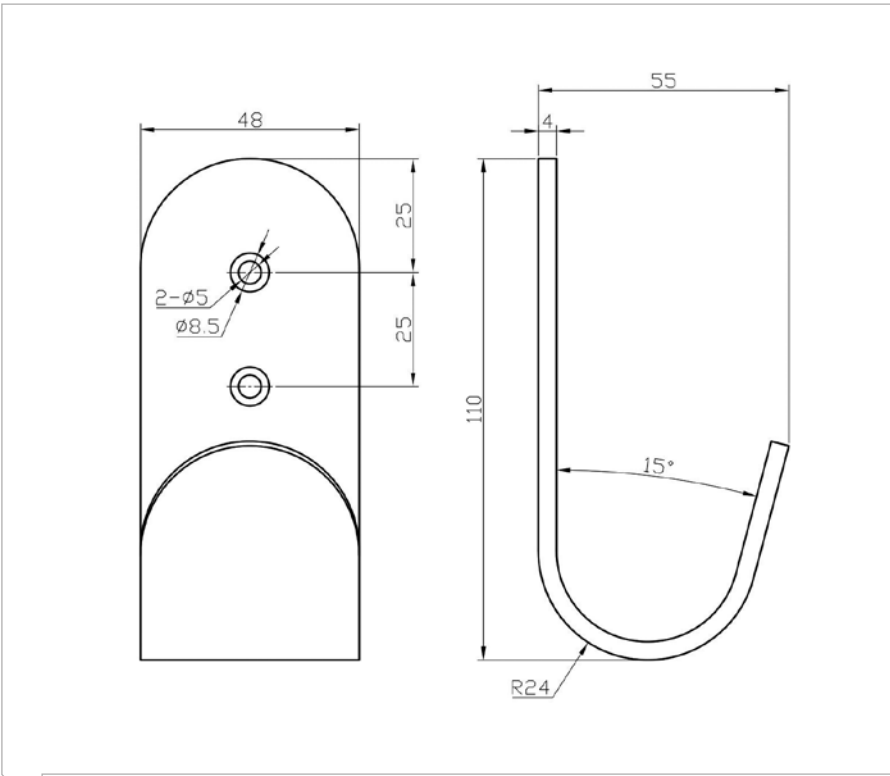
CR.BHP35

P. 76



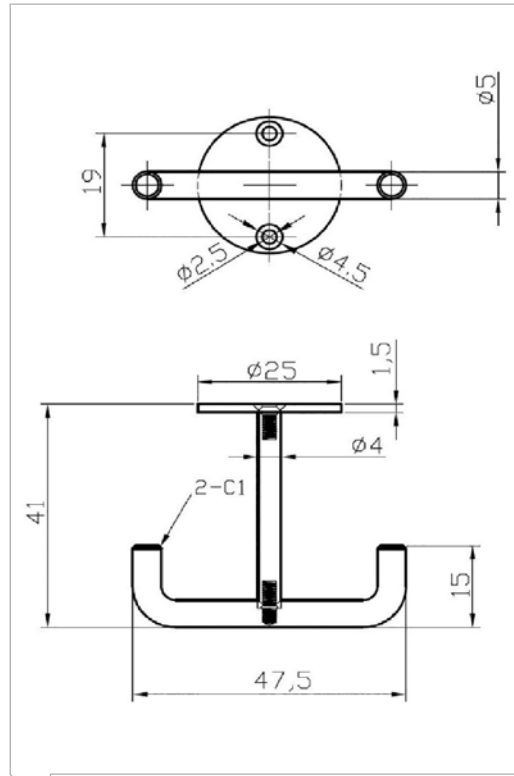
CR.BHP35.80

P. 76



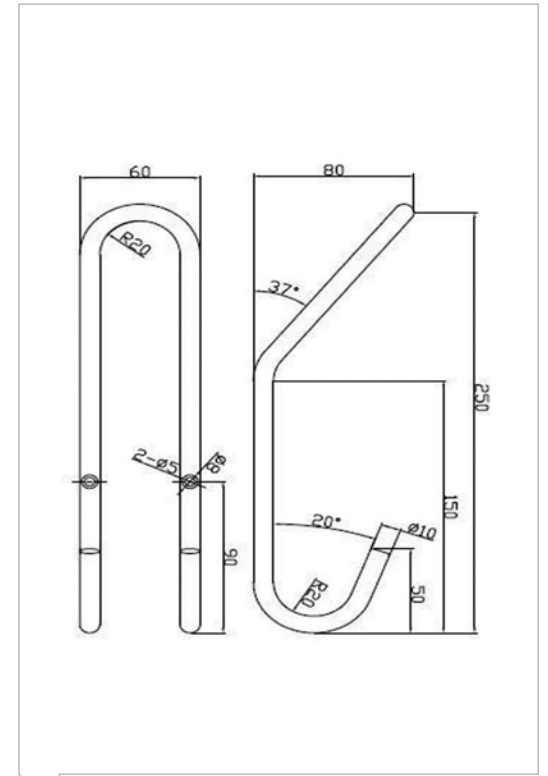
CR.BH0751.110

P. 77



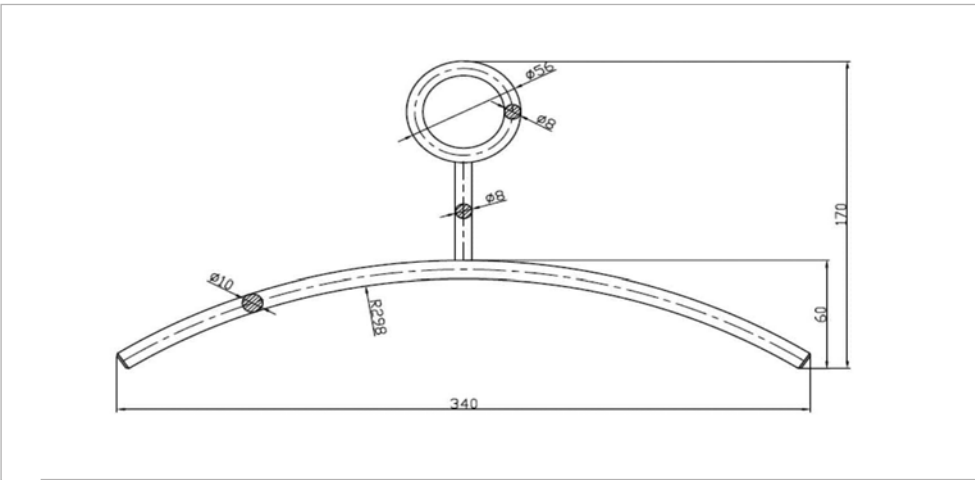
CR.HOOK-2

P. 77



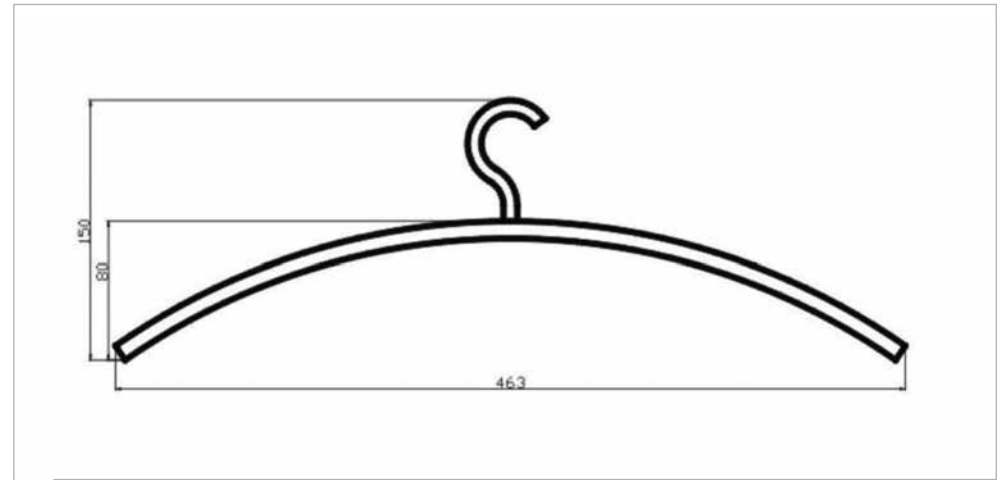
CR.HOOK

P. 77



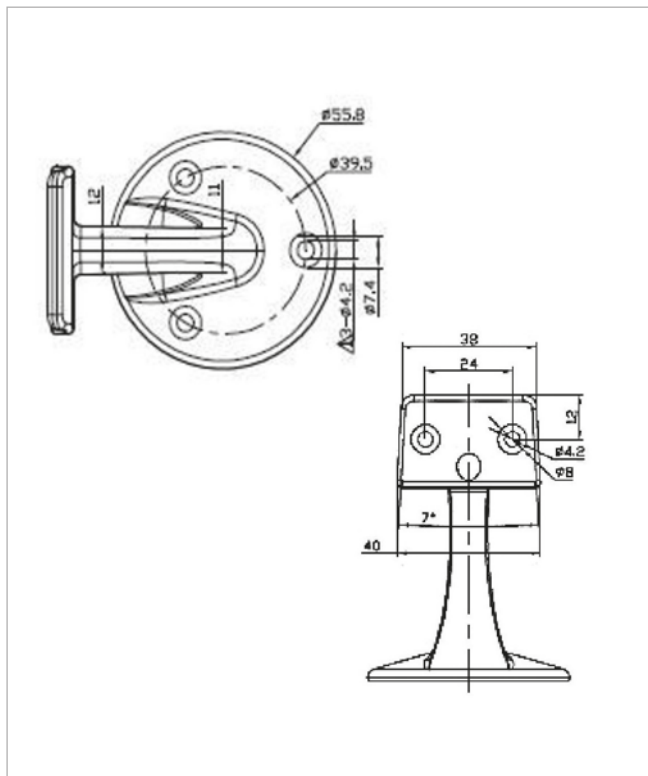
CR.BSCH0010.C

P. 77



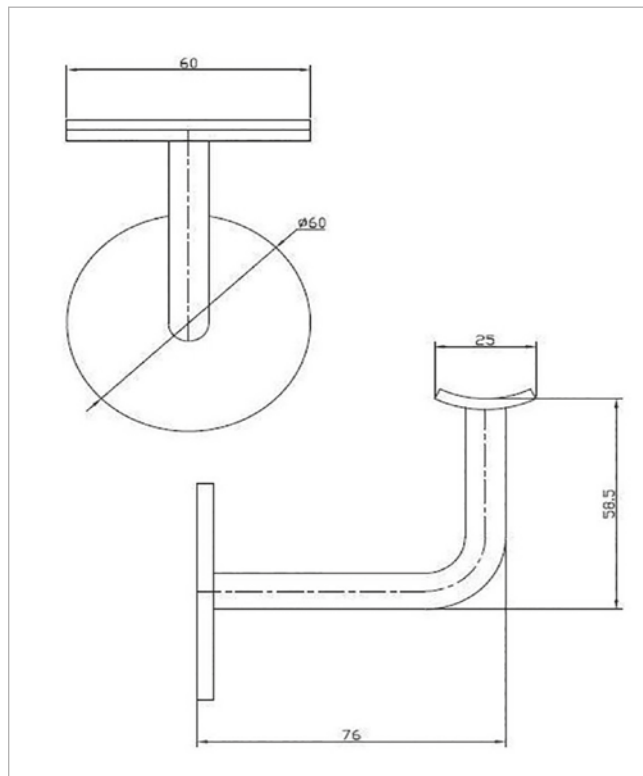
CR.BSCH0010.O

P. 77



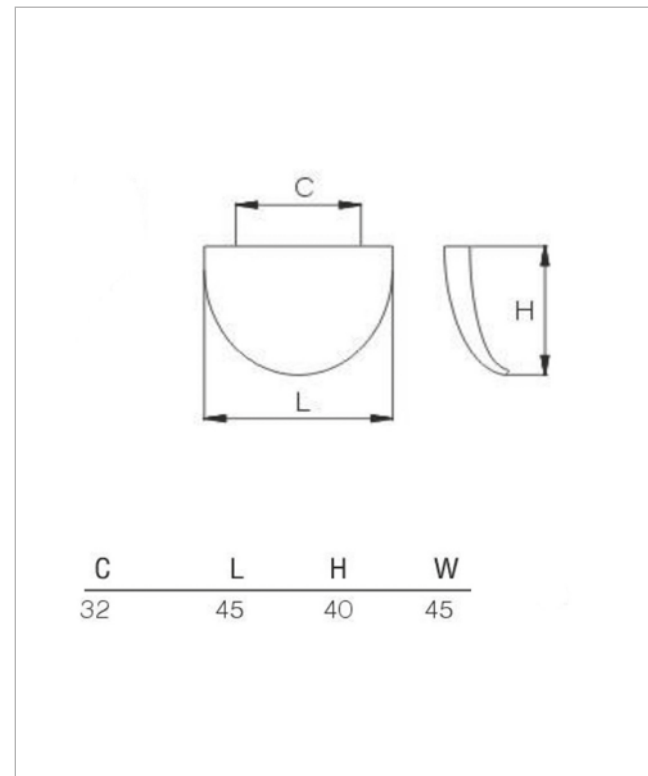
CR.BSHOLD

P. 80



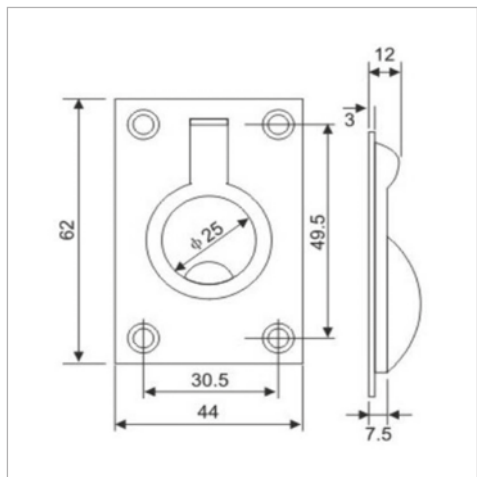
CR.BSHOLD2

P. 80



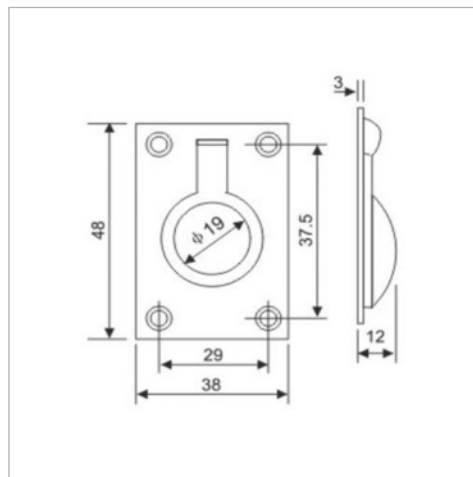
CR.KM014

P. 84



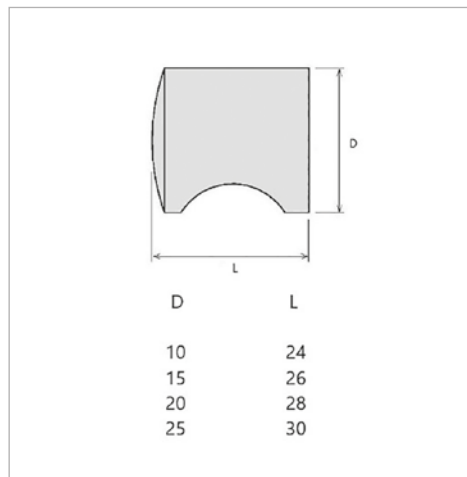
CR.CH004

P. 84



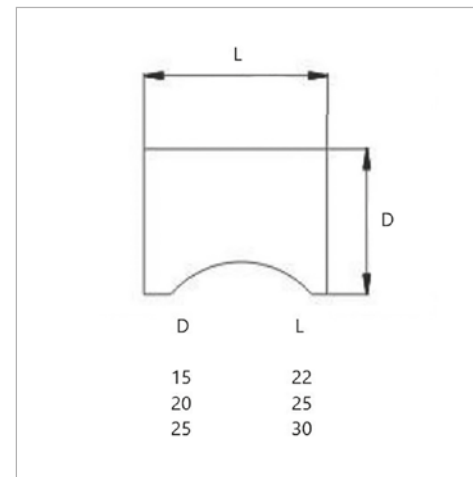
CR.CH004S

P. 84



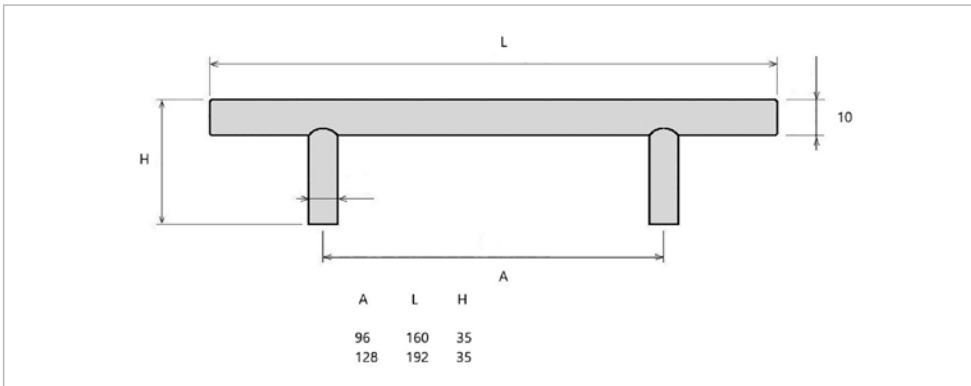
WL.FH302

P. 84



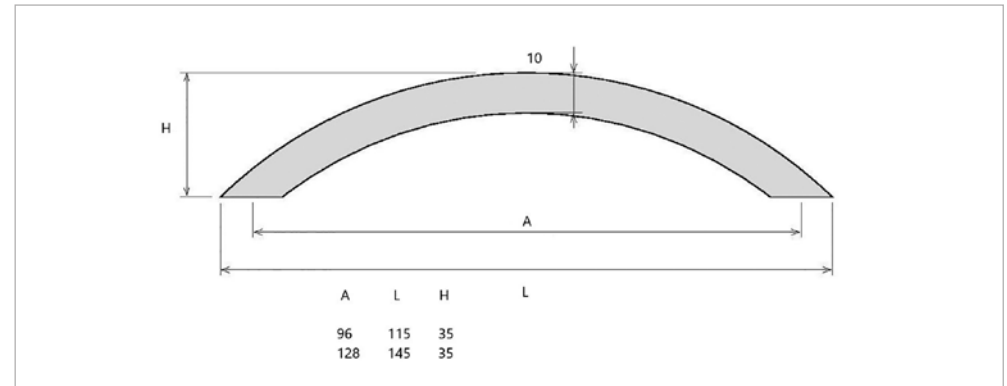
WL.FH319

P. 84



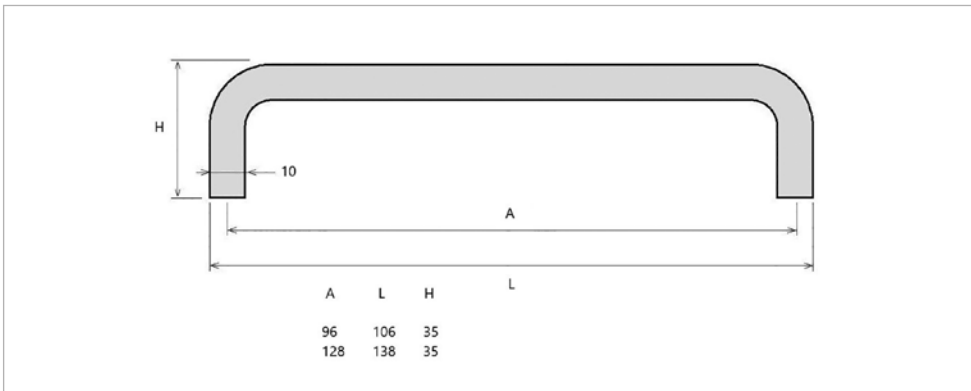
WL.FH004

P. 84



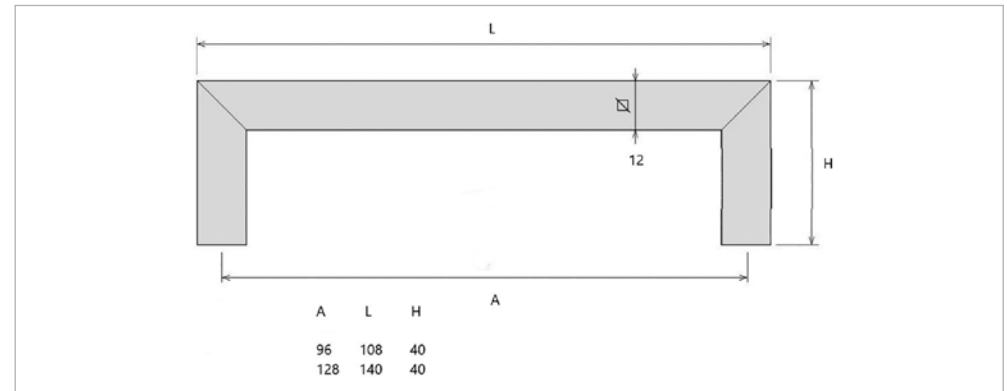
WL.FH005

P. 84



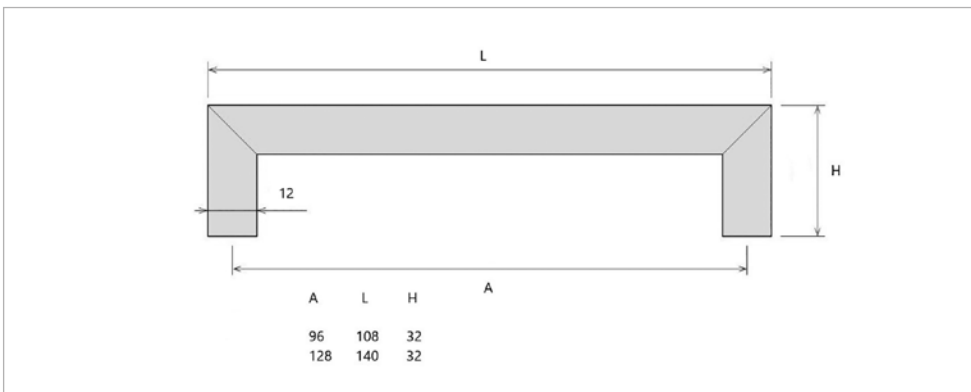
WL.FH006

P. 85



DI.I440

P. 85



DI.I331

P. 85

