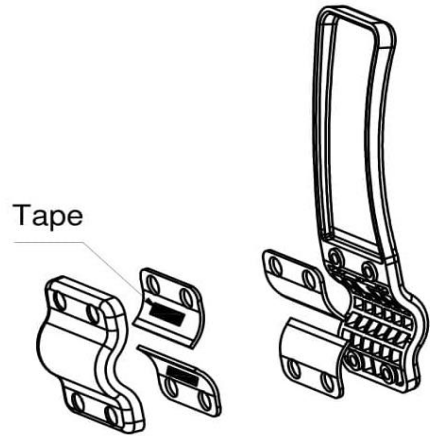
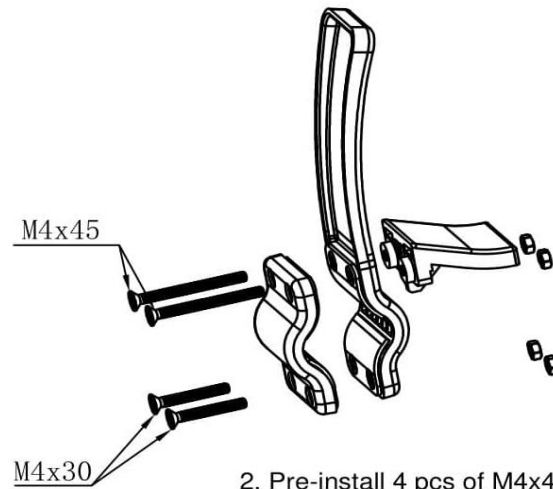


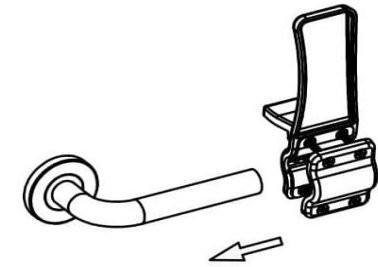
# PB110 Installation manual for round bar handle



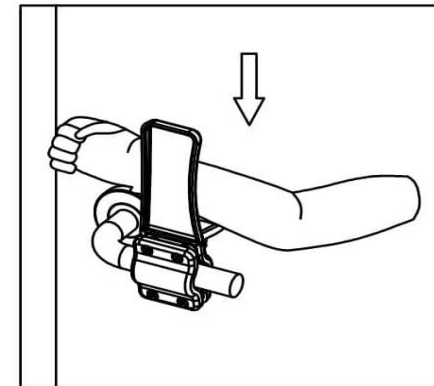
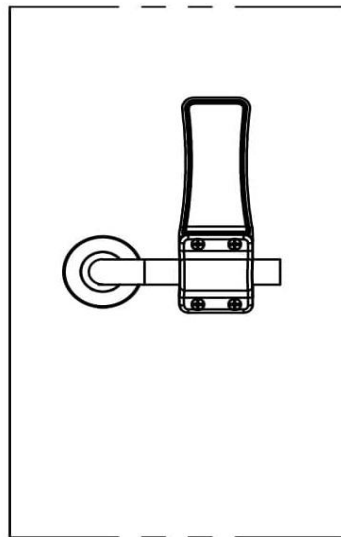
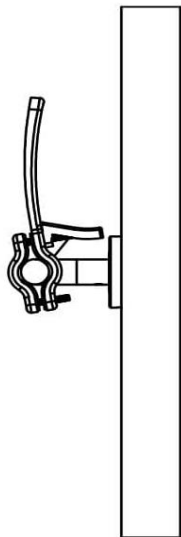
1. Paste the rubber to the product by the double side tape.



2. Pre-install 4 pcs of M4x45 screws.



3. Put the handle clip from the end of the lever handle and tighten the screws.

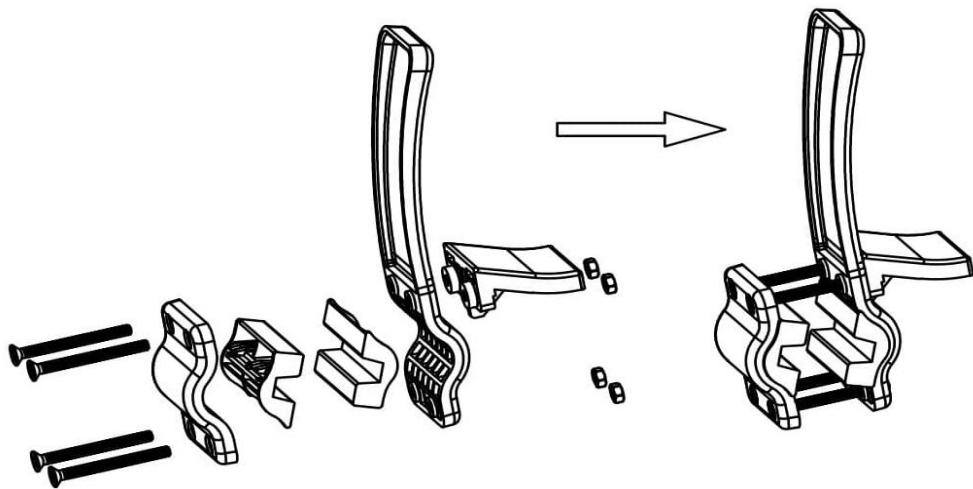


Press the handle clip down by arm to open/ close the door.

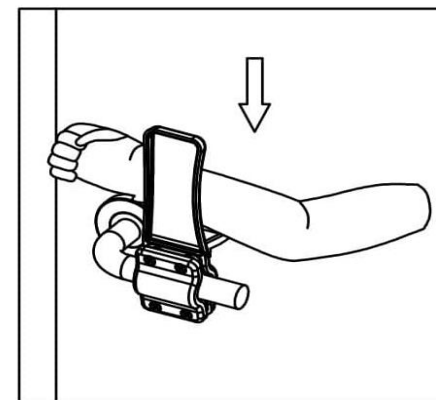
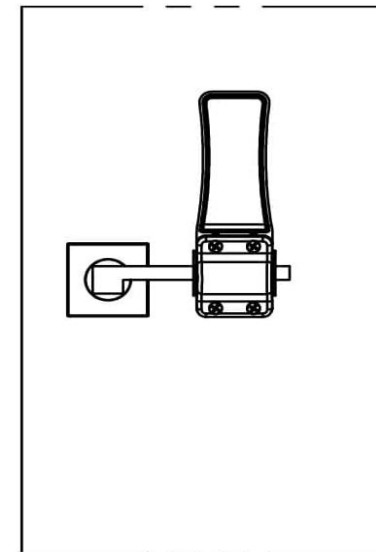
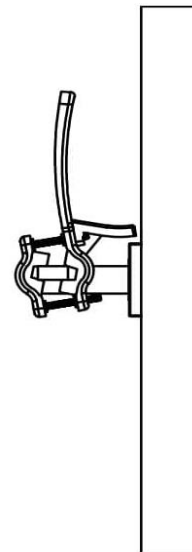
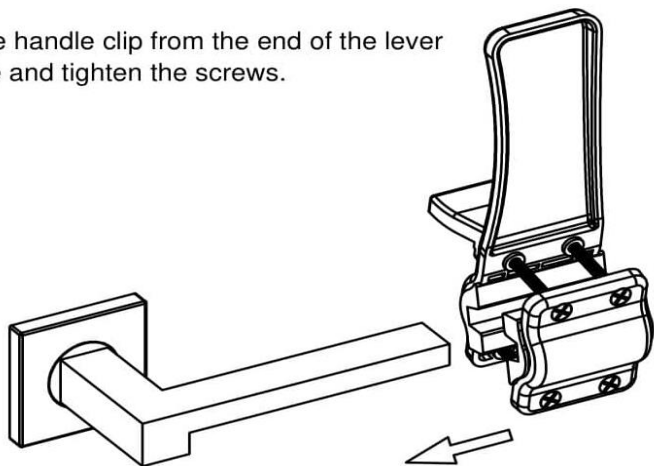
## PB110 Installation manual for square bar handle



1. Pre-install 4 pcs of M4x45 screws.



2. Put the handle clip from the end of the lever handle and tighten the screws.



Press the handle clip down by arm to open/ close the door.