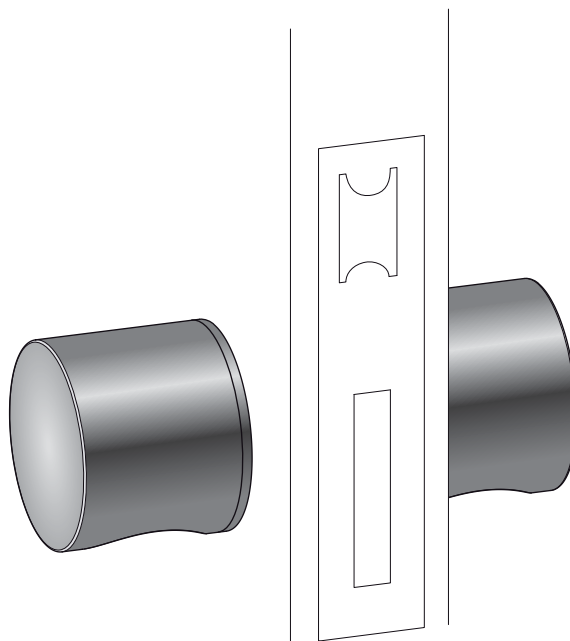


$L_1 = 103,5$   
 $L_2 = 113,5$   
 $L_3 = 123,5$

cod.	descrip.
53200	Gir. Set.



**AISI 304, mate. Tolerancias generales del plano:  $\pm 0,5$ mm.**  
AISI 304, matte. General tolerances of technical drawing:  $\pm 0,5$ mm.  
AISI 304, mat. Tolérance générale du plan technique:  $\pm 0,5$ mm.

**i-1260. Gir.**