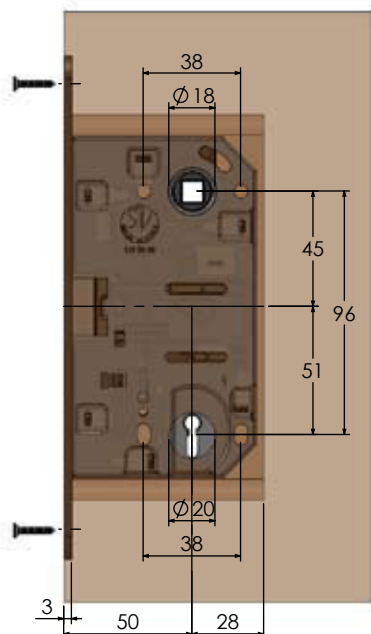


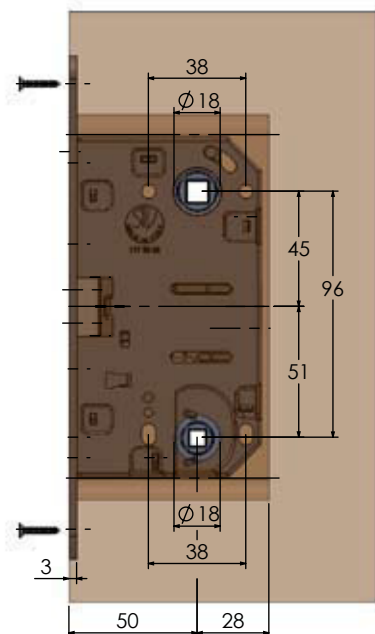


## Guideline for installation and maintenance of magnetic locks

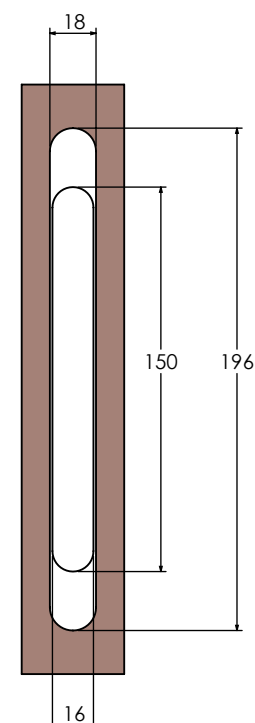
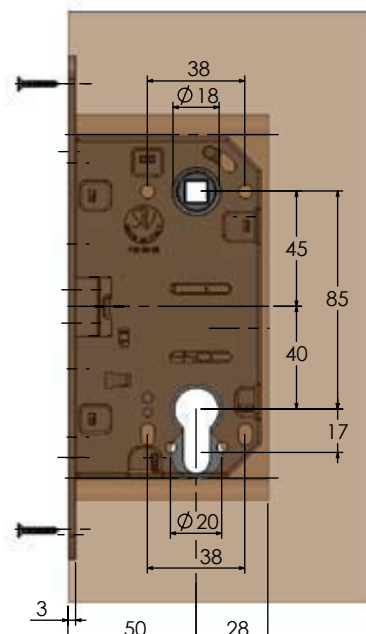
art. A5



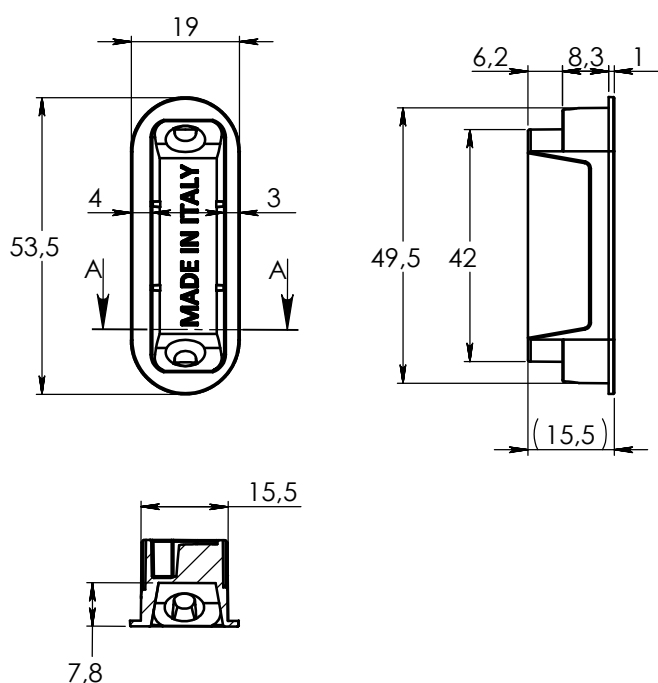
art. A7



art. A6

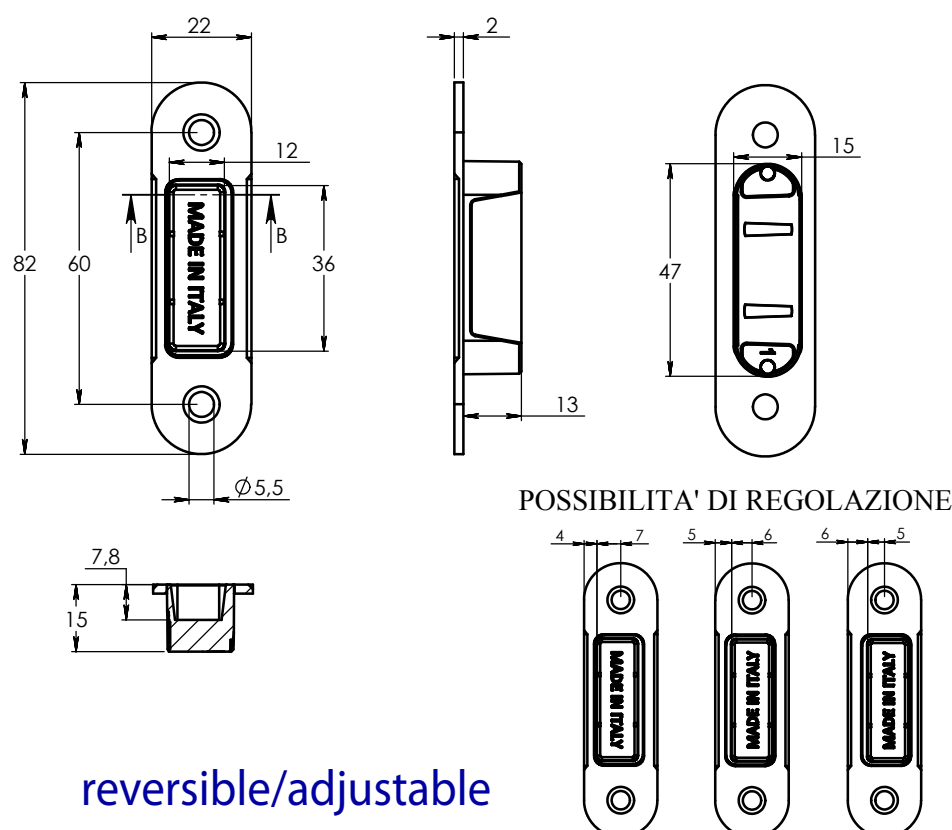


Art. W7



reversible/adjustable

Art. W8



reversible/adjustable

### installation and maintenance

- 1 - Lock position have to take in account the type af gasket used
- 2 - Rout the panel as shown in the drawings
- 3 - Do not use a hammer or other tools to insert the lock into the groove
- 4 - Mustn't go into the lock's mechanisms wood shavings, sawdust, or other external bodies
- 5 - The fixing screws of the handles should not crush or puncture the lock's casing
- 6 - It is recommended not to exceed a distance of 3 mm between the front and strikings
- 7 - Lubrificate with spray silicone the moving parts of the lock (at list one time every 6 months)
- 8 - For cleaning do not use abrasive products or solvent complements, clean with a soft cloth
- 9 - Do not paint the front
- 10 - To optimize the closing of the door operate on the striking setting (Art. W7 rotating 180°; Art. W8 has 3 adjusting possibilities)