

pa



MADE
IN ITALY

SINGLE-MOTION
UNLOCKING PULL
FOR SWING AND
SLIDING DOORS

PBA IS THE PREMIER BRAND OF AISI 316L STAINLESS STEEL, THE HARDEST, MOST RESISTANT AND ELASTIC STEEL, OF THE ALUMINUM ALLOY EN-AW 6060 AND OF THE POLYAMIDE 6, THE MOST NOBLE OF THERMOPLASTIC RESINS. PBA HAS TWO CORE BUSINESS: THE ARCHITECTURAL HARDWARE, WITH A WIDE OFFER OF DOOR AND WINDOW LEVERS, KNOBS, PULLS, LOCKING AND NON-LOCKING LADDER PULLS, LOCKS, LOCKSET FOR GLASS AND ACCESSORIES AND THE DESIGN FOR ALL, A COMPLETE RANGE OF SANITARY ACCESSORIES AND ACCESSIBILITY PRODUCTS FOR BATHROOM. OUR PRODUCTS ARE DESIGNED TO PROMOTE INCLUSION AND A LIFE WITHOUT BARRIERS: WE BELIEVE THAT UNIVERSAL DESIGN IS THE DESIGN THAT ACCOMMODATES PEOPLE WITH DISABILITIES BUT IS JUST AS APPEALING TO PEOPLE WITHOUT THEM. WE ARE CONSCIOUS THAT BRINGING A NEW FORM INTO THE WORLD CAN AFFECT THE LIFE OF EVERYONE AND THAT THE OBJECTS REFLECT A SPACE, EMBODY ITS ATTITUDE, ILLUSIONS AND POSSIBILITIES. OUR PRODUCTS ARE USED IN THE MOST IMPORTANT PROJECTS WORLDWIDE; THE "PRODUCTION FLEXIBILITY" AND QUALITY ALLOW PBA TO BE THE PARTNER FOR THE FIRST CLASS OFFICE, RETAIL, PUBLIC SPACES, HOSPITALITY, RESIDENTIAL AND HEALTHCARE PROJECTS. PBA HAS BEEN AWARDED AND NOMINATED FOR MANY PRODUCTS BY DIFFERENT ORGANIZATIONS. PBA RECEIVED THE RED DOT AWARD FOR IT SERIES AND FOR ELICA LEVER, A COMPASSO D'ORO AWARD NOMINATION FOR ELICA LEVER AND K-LOCK PULL SERIES, AN ADI CERAMICS & BATHROOM DESIGN AWARD SPECIAL MENTION FOR CAP SERIES AND THE EVERYONE MILLWORK PULLS HAVE BEEN FINALIST AT IDEA - INTERNATIONAL DESIGN EXCELLENCE AWARDS. ALL OUR PRODUCTS ARE "MADE IN ITALY" BECAUSE WE BELIEVE IN THE IMPORTANCE TO CONTROL AND MANAGE ALL THE PRODUCTION CYCLE AND THE SUPPLY CHAIN; AT PBA WE WANT ENHANCE AND DEVELOP THE EXCELLENCE AND CAPABILITIES OF OUR HUMAN CAPITAL. PBA IS PRESENT IN MORE THAN 60 COUNTRIES AND HAS BRANCHES IN THE USA AND GERMANY.



pba S.p.A.



pba Deutschland GmbH



pba USA, Inc

THE SINGLE-MOTION UNLOCKING DOOR PULL IS *LIFE-SAFETY* HARDWARE THAT MAKES EGRESS EASIER AND MORE ELEGANT. OPENING THE DOOR FROM THE INSIDE SIMULTANEOUSLY RELEASES THE BOLT AND THUMBTURN FOR SIMPLER, QUICKER EXITING. BASED ON A PATENT PENDING ACTIVATION BAR AND LATCHING SYSTEM, THE PULL IS AVAILABLE FOR SLIDING AND SWING DOORS (BOTH PUSH AND PULL), ADA COMPLIANT, AND COMES IN A RANGE OF LENGTHS AND FINISHES TO COMPLEMENT DIFFERENT ENVIRONMENTS. THE SINGLE MOTION UNLOCKING DOOR PULL IS DESIGNED FOR RIM CYLINDER, RIM CYLINDER WITH IC AND DIGITAL RIM CYLINDER WITH CARD. PBA COLLABORATED WITH GENSLER, SERVING AS PRODUCT DESIGN CONSULTANT, ON THIS REVOLUTIONARY NEW PRODUCT WHICH IS ADAPTABLE TO ALL DEMOUNTABLE PARTITION SYSTEMS.

SINGLE-MOTION UNLOCKING DOOR PULL

STAINLESS STEEL AISI 316L

PBA IS THE PREMIER BRAND OF AISI 316L STAINLESS STEEL, THE HARDEST, MOST RESISTANT AND ELASTIC STEEL. THE STAINLESS STEEL AISI 316L IS AN AUSTENITIC ALLOY. IT IS DISTINGUISHED FROM OTHERS INOXIDIZABLE STEELS BY THE HIGH PERCENTAGE OF MOLYBDENUM WHICH GIVES IT A SPECIAL RESISTANCE TO PITTING CORROSION AND STRESS CORROSION. IN THIS KIND OF STAINLESS STEEL THE NICKEL'S PRESENCE IS INCREASED IN ORDER TO GUARANTEE STABILITY. FURTHER, THE "L" STANDS FOR "LOW CARBON", AND, IN FACT, THE QUANTITY IS LESS THAN OR EQUAL TO 0,03%.

STAINLESS STEEL AISI 316L	SATIN	.44	■
	BRIGHT	.43	■

ALUMINUM ALLOY EN-AW 6060

PBA USES ALUMINUM ALLOY 6060, A MEDIUM STRENGTH HEAT TREATABLE ALLOY WITH A STRENGTH SLIGHTLY LOWER THAN 6005A. IT HAS VERY GOOD CORROSION RESISTANCE, VERY GOOD WELDABILITY AND GOOD COLD FORMABILITY. IT IS COMMONLY USED FOR COMPLEX CROSS SECTIONS AND HAS VERY GOOD ANODIZING RESPONSE.
ALLOY: EN-AW 6060.

FORMS: EXTRUDED ROUND ROD/BAR.

CHARACTERISTICS-PROPERTIES:

VERY GOOD CORROSION RESISTANCE, MEDIUM STRENGTH, COMPLEX SECTIONS, ANODIZING QUALITY.

APPLICATIONS: ARCHITECTURAL SECTIONS, FRAMES, LIGHTING, RAILINGS, LADDERS, FURNITURE, FENCES, FLOORING.

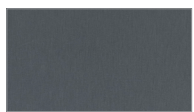
ALUMINUM ANODIZED	SATIN SILVER	.69	■
	SATIN BRONZE	.67	■
	SATIN BLACK	.68	■

ACTIVATION BAR

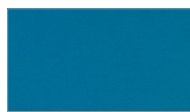


Activation bar caps: polyamide-6 black with black anodized activation bar and polyamide-6 grey with all the other activation bar anodized colors.

ACTIVATION BAR: SPECIAL ALUMINUM ANODIZED COLORS



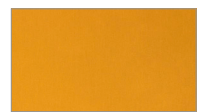
GREY



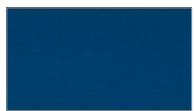
LIGHT BLUE



RED



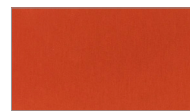
YELLOW



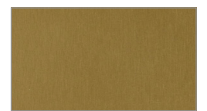
BLUE



GREEN



ORANGE



GOLD

SINGLE-MOTION UNLOCKING DOOR PULL

FOR SWING AND SLIDING DOORS

PATENT
PENDING
no.16/838612

SINGLE
MOTION

A D A
< 5 lbf

UNLOCK AND OPEN DOOR
WITH A SINGLE MOVEMENT
USING THE ACTIVATION BAR

WITH THE DOOR LATCHED,
THE ACTIVATION BAR IS
OPERATED BY A FORCE
LOWER THAN 5 LBF (22N)
UNTIL THE LOCKING BOLT IS
COMPLETELY RETRACTED (ADA
309.4 – OPERABLE PARTS AND
ANSI/BHMA A 156.3 REF. 8.2.1)







pba FOR LEED® CERTIFICATION

OUR CONTRIBUTION TO THE EFFICIENCY AND SUSTAINABILITY OF BUILDINGS

LEED® (LEADERSHIP IN ENERGY ENVIRONMENTAL DESIGN) IS A VOLUNTARY CERTIFICATION SYSTEM FOR THE MANAGEMENT, DESIGN AND CONSTRUCTION OF BUILDINGS THAT ARE SUSTAINABLE FROM A SOCIAL, ENVIRONMENTAL AND ECONOMIC POINT OF VIEW AND IN TERMS OF THE WELLBEING OF THE USERS.

pba PRODUCTS CONTRIBUTE TOWARD SATISFYING PREREQUISITES AND CREDITS UNDER LEED®.

INTEGRATED PROCESS	IP	
MATERIALS AND RESOURCES	MR	
INDOOR ENVIRONMENTAL QUALITY	EQ	
INNOVATION	I	





DECLARE LABEL

OUR DECLARE "RED LIST FREE" PRODUCTS FOR SUSTAINABLE BUILDINGS

THE DECLARE LABEL LISTS THE MATERIALS IN A PRODUCT TO DISCLOSE WHAT THEY ARE MADE OF, WHERE THEY ARE PRODUCED AND HOW THEY WILL BE DISPOSED OF. THIS LABEL IS A CALL FOR RESPONSIBILITY TO PRODUCERS AND USERS ALIKE.

THE DECLARE LABEL IS A GUIDE TO SELECT PRODUCTS, PROVIDES INFORMATION IN A SIMPLE AND TRANSPARENT WAY AND RISES ABOVE GREENWASHING.

DECLARE TAKES COMPLEX CHEMICAL ANALYSIS AND RAW MATERIAL SOURCE LOCATION INFORMATION TO ESTABLISH THAT PRODUCTS ARE FREE FROM HAZARDOUS CHEMICALS. ALL DECLARE LABEL OF pba PRODUCTS ARE RED LIST FREE.

Declare.



SINGLE-MOTION UNLOCKING DOOR PULL
FOR SWING DOOR - PULL

Stainless Steel

PAGE 10

Aluminum

PAGE 14

SINGLE-MOTION UNLOCKING DOOR PULL
FOR SWING DOOR - PUSH

Stainless Steel

PAGE 17

Aluminum

PAGE 21

SINGLE-MOTION UNLOCKING DOOR PULL
FOR SLIDING DOOR

Stainless Steel

PAGE 24

Aluminum

PAGE 34

NON LOCKING LADDER PULL
FOR SWING AND SLIDING DOOR

Stainless Steel

PAGE 43

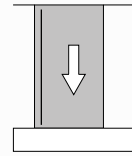
Aluminum

PAGE 48

TECHNICAL INFORMATION

PAGE 53

SINGLE-MOTION UNLOCKING DOOR PULL
FOR SWING DOOR - PULL
STAINLESS STEEL 316L



PATENT
PENDING
no.16/838612

SINGLE
MOTION

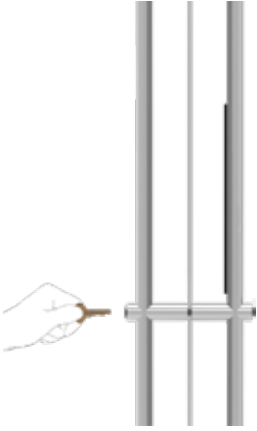
A D A
< 5 lbf



OUTSIDE

USE KEY TO LOCK (L) AND UNLOCK (U)

SINGLE-MOTION UNLOCKING DOOR PULL
FOR SWING DOOR - PULL



U TOP BOLT RETRACTS INTO THE PULL



ACTIVATION BAR DRAWS BACK INTO PULL



THUMBTURN ROTATES INTO THE UPWARD POSITION

L TOP BOLT ENGAGES UPWARD INTO THE TOP STRIKE

ACTIVATION BAR PUSHES OUT OF THE PULL

THUMBTURN ROTATES DOWNWARD TO ITS SIDEWAYS POSITION

INSIDE

USE THUMBTURN TO LOCK (L)



L TOP BOLT ENGAGES UPWARD INTO THE TOP STRIKE



ACTIVATION BAR PUSHES OUT OF THE PULL



THUMBTURN ROTATES DOWNWARD TO ITS SIDEWAYS POSITION

INSIDE

UNLOCK (U) AND OPEN DOOR VIA ACTIVATION BAR



U TOP BOLT RETRACTS INTO THE PULL

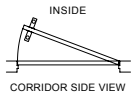
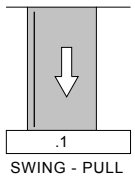


ACTIVATION BAR DRAWS BACK INTO PULL

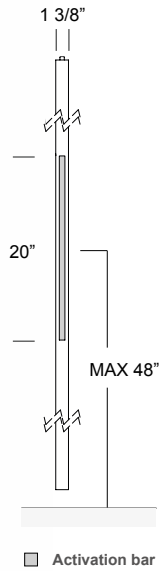


THUMBTURN ROTATES INTO THE UPWARD POSITION

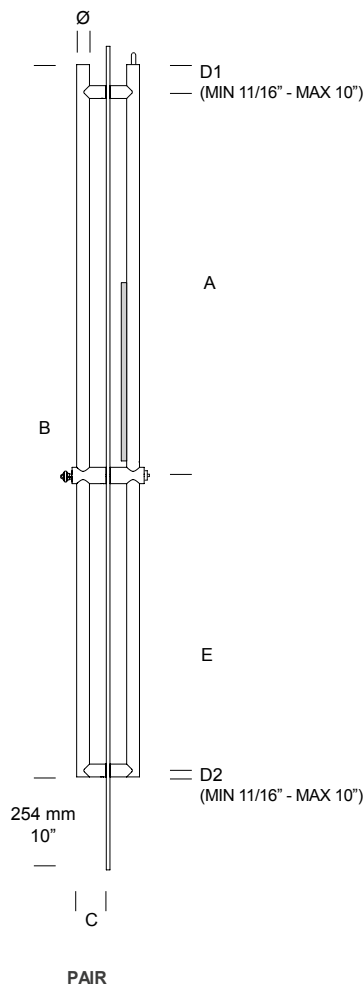
LOCKING
FULL SIZE



ADA
< 5 lbf



Activation bar



PAIR

ADA
10"
clearance
layout

PATENT
PENDING
no. 16/838612

CYLINDER NOT INCLUDED



RIM CYLINDER
WITH IC



RIM CYLINDER



INCLUDED:
ADA 1-9/16"
COMPLIANT
THUMBTURN

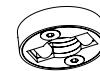


ON REQUEST:
ADA 3"
COMPLIANT
THUMBTURN

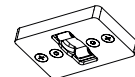
≈30 mm
1 3/16"



INCLUDED:
ADJUSTABLE
STEEL DEAD BOLT



INCLUDED:
STRIKE WITH
ROLLERS



ON REQUEST:
ADJUSTABLE TOP STRIKE
WITH ROLLERS

ON REQUEST:
CUSTOM STRIKE

PAIR



TOP
LOCKING

ITEM	A	B	C	D1	D2	E	Ø
KLO.SP4.RU72. xx .1	custom	1828 mm 72"	80 mm 3 1/8"	custom	custom	custom	35 mm 1 3/8"
KLO.SP4.RU84. xx .1	custom	2133 mm 84"	80 mm 3 1/8"	custom	custom	custom	35 mm 1 3/8"
KLO.SP4.99RU. xx .1	custom	custom	80 mm 3 1/8"	custom	custom	custom	35 mm 1 3/8"

The additional support is necessary for A > 1371,6 mm - 54"

Dimension (A + D1) MIN = 990,6 mm - 39"

Dimension (E + D2) MIN = 178 mm - 7". Dimension E MIN = 160 mm

Activation bar midpoint has to be at MAX 48" (1219,2 mm) above finish flo

BRAND OF COMPATIBLE RIM CYLINDER:	
- ARROW	- BEST
- CORBIN RUSSWIN	- KABAILCO
- MEDECO	- SARGENT
- SCHLAGE	- YALE

.XX = FINISH CODE

STAINLESS STEEL

- .43 BRIGHT STAINLESS STEEL (ANSI/BHMA 629 - USD32)
- .44 SATIN STAINLESS STEEL (ANSI/BHMA 630 - USD32D)

ACTIVATION BAR:

BLACK ANODIZED ALUMINUM
COLORS on request page 54
CAPS: polyamide-6 black with black anodized activation bar and polyamide-6 grey with all the other activation bar anodized colors.



DOOR PREPARATION DP6
page 63

SPACERS FOR DOUBLE GLAZED DOOR
KLO.KIT.99U4
page 62

STRIKE DETAILS
page 58 - page 59

THESE PRODUCTS CONTRIBUTE TO LEED® CREDITS

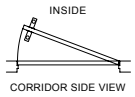
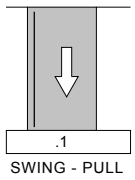
ALL DIMENSIONS IN THE CATALOG DRAWINGS ARE APPROXIMATIONS.
REQUEST THE APPROPRIATE TECHNICAL DRAWING BEFORE DOOR
PREPARATION AND INSTALLATION.

COMBINED NON
LOCKING page 45

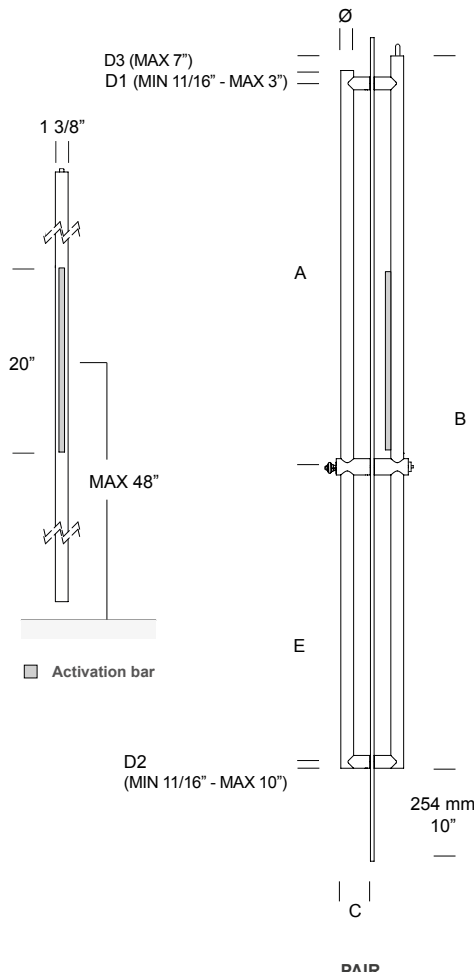
ITEM
KLO.0G4.00RU
KLO.0G4.99RU
KLO.0G4.RU72



LOCKING
FULL SIZE



ADA
< 5 lbf



ADA
10" clearance layout

PATENT
PENDING
no. 16/838612

CYLINDER NOT INCLUDED



ON REQUEST:
CUSTOM STRIKE

PAIR



TOP
LOCKING

ITEM	A	B	C	D1	D2	D3	E	Ø
KLO.SP4.9ZU1. xx .1	custom	custom	80 mm 3 1/8"	custom	custom	custom	custom	35 mm 1 3/8"
The additional support is necessary for A > 1371,6 mm - 54" Dimension (A + D1) MIN = 990,6 mm - 39" Dimension (E + D2) MIN = 178 mm - 7". Dimension E MIN = 160 mm Activation bar midpoint has to be at MAX 48" (1219,2 mm) above finish flo								

BRAND OF COMPATIBLE RIM CYLINDER:

- ARROW
- CORBIN RUSSWIN
- MEDECO
- SCHLAGE
- BEST
- KABAILCO
- SARGENT
- YALE

.XX = FINISH CODE

- STAINLESS STEEL
- .43 BRIGHT STAINLESS STEEL (ANSI/BHMA 629 - USD32)
- .44 SATIN STAINLESS STEEL (ANSI/BHMA 630 - USD32D)



DOOR PREPARATION DP6
page 63

SPACERS FOR DOUBLE GLAZED DOOR
KLO.KIT.99U4
page 62

STRIKE DETAILS
page 58 - page 59

THESE PRODUCTS CONTRIBUTE TO LEED® CREDITS

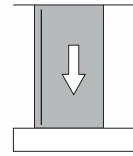
ALL DIMENSIONS IN THE CATALOG DRAWINGS ARE APPROXIMATIONS.
REQUEST THE APPROPRIATE TECHNICAL DRAWING BEFORE DOOR
PREPARATION AND INSTALLATION.

COMBINED NON
LOCKING page 46

ITEM
KLO.0G4.99ZU



SINGLE-MOTION UNLOCKING DOOR PULL
FOR SWING DOOR - PULL
ALUMINUM



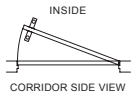
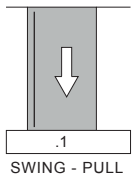
PATENT
PENDING
no.16/838612

SINGLE
MOTION

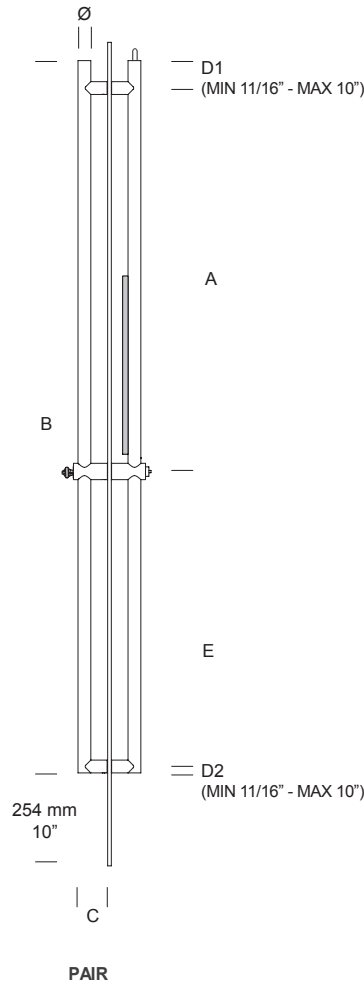
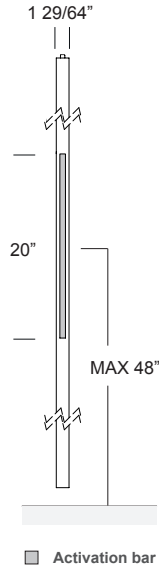
A D A
< 5 lbf



LOCKING
FULL SIZE



ADA
< 5 lbf



ADA
10"
clearance
layout

PATENT
PENDING
no.16/838612

CYLINDER NOT INCLUDED



RIM CYLINDER
WITH IC



RIM CYLINDER



INCLUDED:
ADA 1-3/16"
COMPLIANT
THUMBTURN

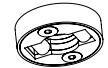


ON REQUEST:
ADA 3"
COMPLIANT
THUMBTURN

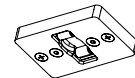
≈30 mm
1 31/16"



INCLUDED:
ADJUSTABLE
STEEL DEAD BOLT



INCLUDED:
STRIKE WITH
ROLLERS



ON REQUEST:
ADJUSTABLE TOP STRIKE
WITH ROLLERS

ON REQUEST:
CUSTOM STRIKE

PAIR



TOP
LOCKING

ITEM	A	B	C	D1	D2	E	Ø
KLA.SP4.RU72. xx .1	custom	1828 mm 72"	85 mm 3 11/32"	custom	custom	custom	37 mm 1 29/64"
KLA.SP4.RU84. xx .1	custom	2133 mm 84"	85 mm 3 11/32"	custom	custom	custom	37 mm 1 29/64"
KLA.SP4.99RU. xx .1	custom	custom	85 mm 3 11/32"	custom	custom	custom	37 mm 1 29/64"

The additional support is necessary for A > 1371,6 mm - 54"

Dimension (A + D1) MIN = 990,6 mm - 39"

Dimension (E + D2) MIN = 178 mm - 7". Dimension E MIN = 160 mm

Activation bar midpoint has to be at MAX 48" (1219,2 mm) above finish flo

Silver Bronze Black



.XX = FINISH CODE

SATIN ANODIZED ALUMINUM
.69 SILVER
.67 BRONZE
.68 BLACK

ACTIVATION BAR:

SILVER FOR BLACK PULL
BLACK FOR SILVER PULL
BLACK FOR BRONZE PULL
COLORS on request page 54
CAPS: polyamide-6 black with black anodized activation bar and polyamide-6 grey with all the other activation bar anodized colors.

EDGE COMPONENT:

BLACK FOR BLACK AND BRONZE PULL
GREY FOR SILVER PULL



DOOR PREPARATION DP6
page 63

SPACERS FOR DOUBLE GLAZED DOOR
KLA.KIT.99U4
page 62

STRIKE DETAILS
page 58 - page 59

THESE PRODUCTS CONTRIBUTE TO LEED® CREDITS

ALL DIMENSIONS IN THE CATALOG DRAWINGS ARE APPROXIMATIONS.
REQUEST THE APPROPRIATE TECHNICAL DRAWING BEFORE DOOR
PREPARATION AND INSTALLATION.

BRAND OF COMPATIBLE RIM CYLINDER:

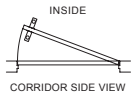
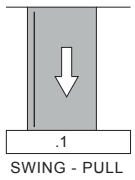
- ARROW
- CORBIN RUSSWIN
- MEDECO
- SCHLAGE
- BEST
- KABAILCO
- SARGENT
- YALE

COMBINED NON
LOCKING page 50

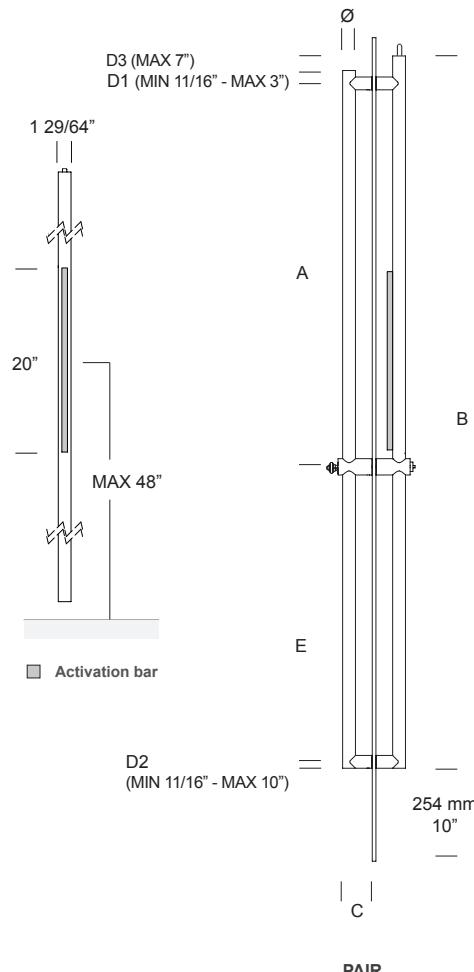
ITEM
KLA.0G4.00RU
KLA.0G4.99RU
KLA.0G4.RU72



LOCKING
FULL SIZE



ADA
< 5 lbf



ADA
10" clearance layout

PATENT
PENDING
no.16/838612

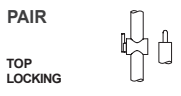
CYLINDER NOT INCLUDED



ON REQUEST: CUSTOM STRIKE

ITEM	A	B	C	D1	D2	D3	E	Ø
PAIR KLA.SP4.9ZU1. xx .1	custom	custom	85 mm 3 11/32"	custom	custom	custom	custom	37 mm 1 29/64"

The additional support is necessary for A > 1371,6 mm - 54"
Dimension (A + D1) MIN = 990,6 mm - 39"
Dimension (E + D2) MIN = 178 mm - 7". Dimension E MIN = 160 mm
Activation bar midpoint has to be at MAX 48" (1219,2 mm) above finish flo



.XX = FINISH CODE
SATIN ANODIZED ALUMINUM
.69 SILVER
.67 BRONZE
.68 BLACK

ACTIVATION BAR:
SILVER FOR BLACK PULL
BLACK FOR SILVER PULL
BLACK FOR BRONZE PULL
COLORS on request page 54
CAPS: polyamide-6 black with black anodized activation bar and polyamide-6 grey with all the other activation bar anodized colors.

EDGE COMPONENT:
BLACK FOR BLACK AND BRONZE PULL
GREY FOR SILVER PULL



DOOR PREPARATION DP6 page 63
SPACERS FOR DOUBLE GLAZED DOOR KLA.KIT.99U4 page 62
STRIKE DETAILS page 58 - page 59

THESE PRODUCTS CONTRIBUTE TO LEED® CREDITS

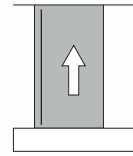
ALL DIMENSIONS IN THE CATALOG DRAWINGS ARE APPROXIMATIONS. REQUEST THE APPROPRIATE TECHNICAL DRAWING BEFORE DOOR PREPARATION AND INSTALLATION.

BRAND OF COMPATIBLE RIM CYLINDER:
- ARROW - BEST
- CORBIN RUSSWIN - KABAILCO
- MEDECO - SARGENT
- SCHLAGE - YALE

COMBINED NON LOCKING page 51
ITEM KLA.0G4.99ZU



SINGLE-MOTION UNLOCKING DOOR PULL
FOR SWING DOOR - PUSH
STAINLESS STEEL 316L



PATENT
PENDING
no.16/838612

SINGLE
MOTION

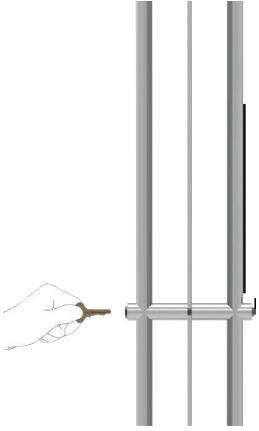
A D A
< 5 lbf



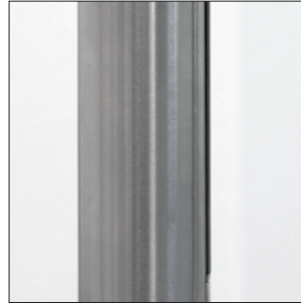
OUTSIDE

SINGLE-MOTION UNLOCKING DOOR PULL
FOR SWING DOOR - PUSH

USE KEY TO LOCK (L) AND UNLOCK (U)



U TOP BOLT RETRACTS INTO THE PULL



ACTIVATION BAR DRAWS BACK INTO PULL



THUMBTURN ROTATES INTO THE UPWARD POSITION

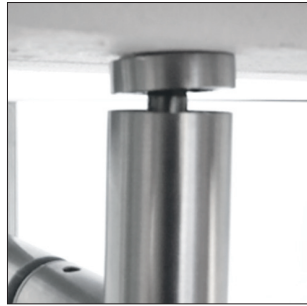
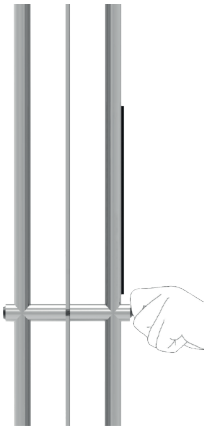
L TOP BOLT ENGAGES UPWARD INTO THE TOP STRIKE

ACTIVATION BAR PUSHES OUT OF THE PULL

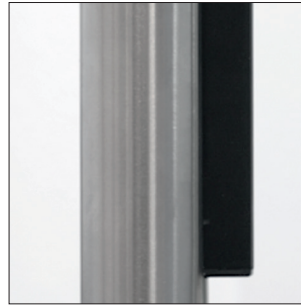
THUMBTURN ROTATES DOWNWARD TO ITS SIDEWAYS POSITION

INSIDE

USE THUMBTURN TO LOCK (L)



L TOP BOLT ENGAGES UPWARD INTO THE TOP STRIKE



ACTIVATION BAR PUSHES OUT OF THE PULL



THUMBTURN ROTATES DOWNWARD TO ITS SIDEWAYS POSITION

INSIDE

UNLOCK (U) AND OPEN DOOR VIA ACTIVATION BAR



U TOP BOLT RETRACTS INTO THE PULL

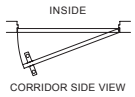
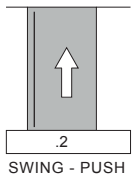


ACTIVATION BAR DRAWS BACK INTO PULL

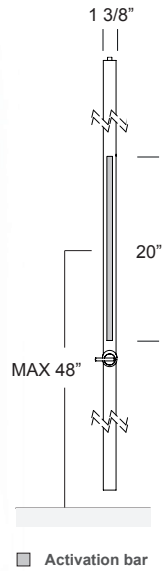


THUMBTURN ROTATES INTO THE UPWARD POSITION

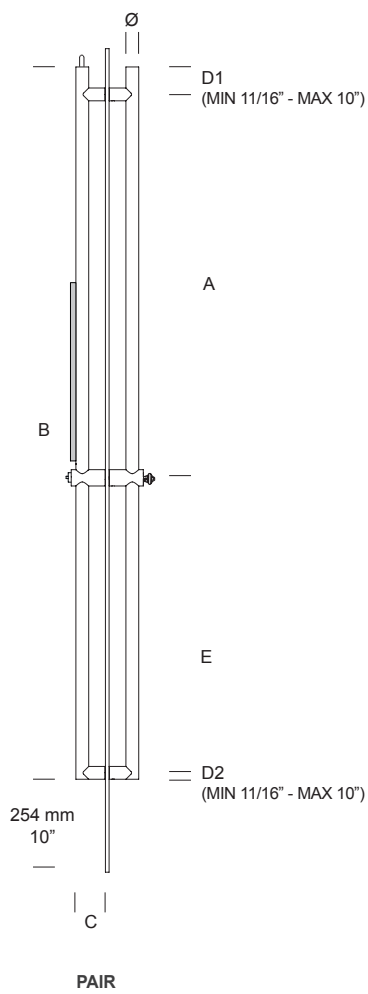
LOCKING FULL SIZE



ADA
< 5 lbf



Activation bar



ADA
10" clearance layout

PATENT PENDING
no.16/838612

CYLINDER NOT INCLUDED



ON REQUEST: CUSTOM STRIKE

PAIR

TOP LOCKING



ITEM	A	B	C	D1	D2	E	Ø
KLO.SP4.RU72. xx .2	custom	1828 mm 72"	80 mm 3 1/8"	custom	custom	custom	35 mm 1 3/8"
KLO.SP4.RU84. xx .2	custom	2133 mm 84"	80 mm 3 1/8"	custom	custom	custom	35 mm 1 3/8"
KLO.SP4.99RU. xx .2	custom	custom	80 mm 3 1/8"	custom	custom	custom	35 mm 1 3/8"

The additional support is necessary for A > 1371,6 mm - 54"
Dimension (A + D1) MIN = 990,6 mm - 39"
Dimension (E + D2) MIN = 178 mm - 7". Dimension E MIN = 160 mm
Activation bar midpoint has to be at MAX 48" (1219,2 mm) above finish flo

BRAND OF COMPATIBLE RIM CYLINDER:

- ARROW
- CORBIN RUSSWIN
- MEDECO
- SCHLAGE
- BEST
- KABAILCO
- SARGENT
- YALE

.XX = FINISH CODE

- STAINLESS STEEL
- .43 BRIGHT STAINLESS STEEL (ANSI/BHMA 629 - USD32)
- .44 SATIN STAINLESS STEEL (ANSI/BHMA 630 - USD32D)

ACTIVATION BAR:
BLACK ANODIZED ALUMINUM
COLORS on request page 54
CAPS: polyamide-6 black with black anodized activation bar and polyamide-6 grey with all the other activation bar anodized colors.



DOOR PREPARATION DP6
page 63

SPACERS FOR DOUBLE GLAZED DOOR
KLO.KIT.99U4
page 62

STRIKE DETAILS
page 58 - page 59

THESE PRODUCTS CONTRIBUTE TO LEED® CREDITS

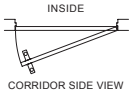
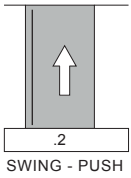
ALL DIMENSIONS IN THE CATALOG DRAWINGS ARE APPROXIMATIONS.
REQUEST THE APPROPRIATE TECHNICAL DRAWING BEFORE DOOR PREPARATION AND INSTALLATION.

COMBINED NON LOCKING page 45

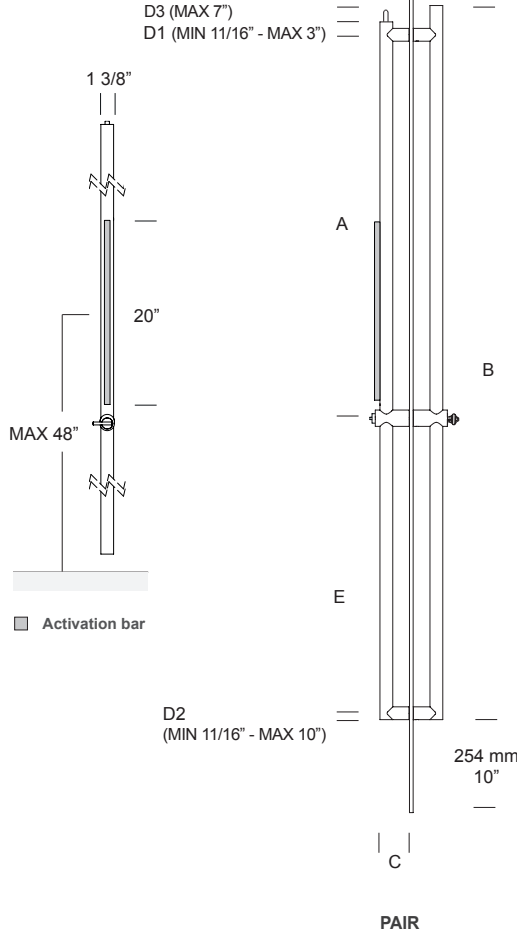
- ITEM
- KLO.0G4.00RU
- KLO.0G4.99RU
- KLO.0G4.RU72



**LOCKING
FULL SIZE**



ADA
< 5 lbf



ADA
10" clearance layout

PATENT PENDING
no. 16/838612

CYLINDER NOT INCLUDED



RIM CYLINDER WITH IC



RIM CYLINDER



INCLUDED: ADA 1-9/16" COMPLIANT THUMBTURN



ON REQUEST: ADA 3" COMPLIANT THUMBTURN



INCLUDED: ADJUSTABLE STEEL DEAD BOLT



INCLUDED: STRIKE WITH ROLLERS



ON REQUEST: ADJUSTABLE TOP STRIKE WITH ROLLERS

ON REQUEST: CUSTOM STRIKE

PAIR

TOP LOCKING



ITEM	A	B	C	D1	D2	D3	E	Ø
KLO.SP4.9ZU2. xx .2	custom	custom	80 mm 3 1/8"	custom	custom	custom	custom	35 mm 1 3/8"
The additional support is necessary for A > 1371,6 mm - 54" Dimension (A + D1) MIN = 990,6 mm - 39" Dimension (E + D2) MIN = 178 mm - 7". Dimension E MIN = 160 mm Activation bar midpoint has to be at MAX 48" (1219,2 mm) above finish flo								

BRAND OF COMPATIBLE RIM CYLINDER:

- ARROW
- CORBIN RUSSWIN
- MEDECO
- SCHLAGE
- BEST
- KABAILCO
- SARGENT
- YALE

.XX = FINISH CODE

- STAINLESS STEEL
- .43 BRIGHT STAINLESS STEEL (ANSI/BHMA 629 - USD32)
- .44 SATIN STAINLESS STEEL (ANSI/BHMA 630 - USD32D)



ACTIVATION BAR:
BLACK ANODIZED ALUMINUM
COLORS on request page 54
CAPS: polyamide-6 black with black anodized activation bar and polyamide-6 grey with all the other activation bar anodized colors.

DOOR PREPARATION DP6
page 63

SPACERS FOR DOUBLE GLAZED DOOR
KLO.KIT.99U4
page 62

STRIKE DETAILS
page 58 - page 59

THESE PRODUCTS CONTRIBUTE TO LEED® CREDITS

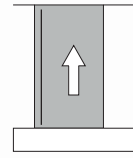
ALL DIMENSIONS IN THE CATALOG DRAWINGS ARE APPROXIMATIONS. REQUEST THE APPROPRIATE TECHNICAL DRAWING BEFORE DOOR PREPARATION AND INSTALLATION.

COMBINED NON LOCKING page 46

ITEM
KLO.0G4.99ZU



SINGLE-MOTION UNLOCKING DOOR PULL
FOR SWING DOOR - PUSH
ALUMINUM



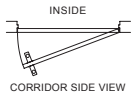
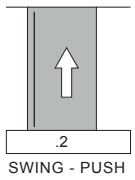
PATENT
PENDING
no.16/838612

SINGLE
MOTION

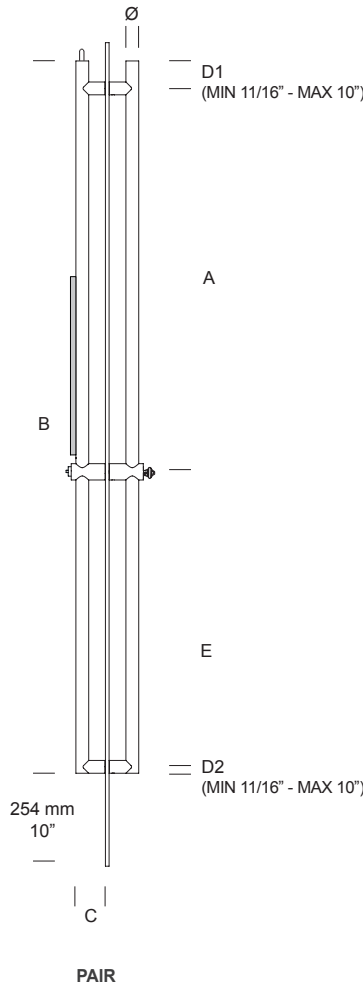
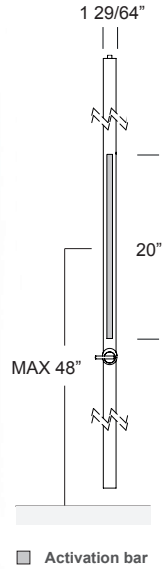
A D A
< 5 lbf



LOCKING FULL SIZE



ADA
< 5 lbf



ADA
10" clearance layout

PATENT PENDING
no.16/838612

CYLINDER NOT INCLUDED



RIM CYLINDER WITH IC



RIM CYLINDER



INCLUDED: ADA 1-3/16" COMPLIANT THUMBTURN



ON REQUEST: ADA 3" COMPLIANT THUMBTURN

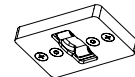
≈30 mm
1 31/16"



INCLUDED: ADJUSTABLE STEEL DEAD BOLT



INCLUDED: STRIKE WITH ROLLERS



ON REQUEST: ADJUSTABLE TOP STRIKE WITH ROLLERS

ON REQUEST: CUSTOM STRIKE

PAIR



TOP LOCKING

ITEM	A	B	C	D1	D2	E	Ø
KLA.SP4.RU72. xx .2	custom	1828 mm 72"	85 mm 3 11/32"	custom	custom	custom	37 mm 1 29/64"
KLA.SP4.RU84. xx .2	custom	2133 mm 84"	85 mm 3 11/32"	custom	custom	custom	37 mm 1 29/64"
KLA.SP4.99RU. xx .2	custom	custom	85 mm 3 11/32"	custom	custom	custom	37 mm 1 29/64"

The additional support is necessary for A > 1371,6 mm - 54"

Dimension (A + D1) MIN = 990,6 mm - 39"

Dimension (E + D2) MIN = 178 mm - 7". Dimension E MIN = 160 mm

Activation bar midpoint has to be at MAX 48" (1219,2 mm) above finish flo

Silver Bronze Black



.XX = FINISH CODE

SATIN ANODIZED ALUMINUM
.69 SILVER
.67 BRONZE
.68 BLACK

ACTIVATION BAR:

SILVER FOR BLACK PULL
BLACK FOR SILVER PULL
BLACK FOR BRONZE PULL
COLORS on request page 54
CAPS: polyamide-6 black with black anodized activation bar and polyamide-6 grey with all the other activation bar anodized colors.

EDGE COMPONENT:

BLACK FOR BLACK AND BRONZE PULL
GREY FOR SILVER PULL



DOOR PREPARATION DP6
page 63

SPACERS FOR DOUBLE GLAZED DOOR
KLA.KIT.99U4
page 62

STRIKE DETAILS
page 58 - page 59

THESE PRODUCTS CONTRIBUTE TO LEED® CREDITS

ALL DIMENSIONS IN THE CATALOG DRAWINGS ARE APPROXIMATIONS. REQUEST THE APPROPRIATE TECHNICAL DRAWING BEFORE DOOR PREPARATION AND INSTALLATION.

BRAND OF COMPATIBLE RIM CYLINDER:

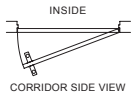
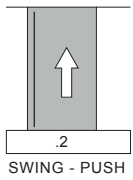
- ARROW
- CORBIN RUSSWIN
- MEDECO
- SCHLAGE
- BEST
- KABAILCO
- SARGENT
- YALE

COMBINED NON LOCKING page 50

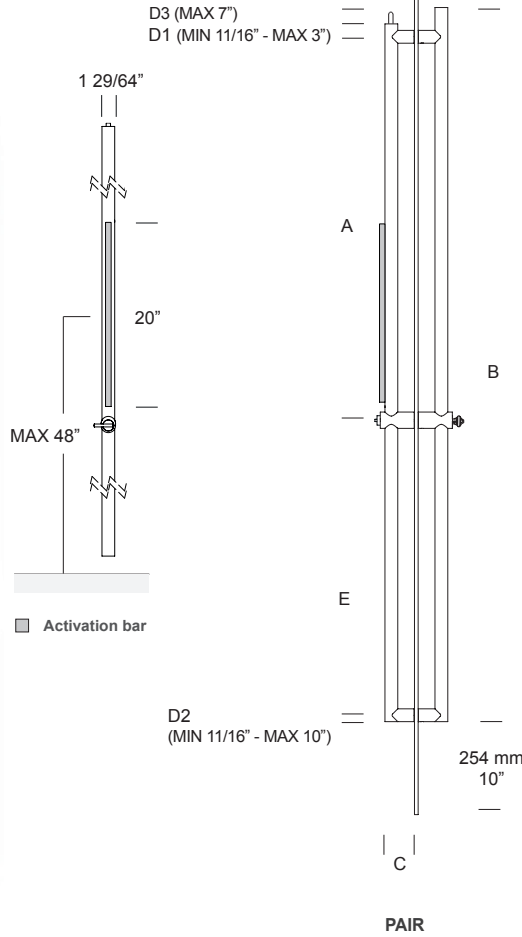
ITEM
KLA.0G4.00RU
KLA.0G4.99RU
KLA.0G4.RU72



LOCKING FULL SIZE



ADA
< 5 lbf



ADA
10" clearance layout

PATENT PENDING
no.16838612

CYLINDER NOT INCLUDED



RIM CYLINDER WITH IC



RIM CYLINDER



INCLUDED: ADA 1-3/16" COMPLIANT THUMBTURN



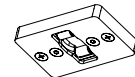
ON REQUEST: ADA 3" COMPLIANT THUMBTURN



INCLUDED: ADJUSTABLE STEEL DEAD BOLT



INCLUDED: STRIKE WITH ROLLERS



ON REQUEST: ADJUSTABLE TOP STRIKE WITH ROLLERS

ON REQUEST: CUSTOM STRIKE

PAIR
TOP LOCKING

ITEM	A	B	C	D1	D2	D3	E	Ø
KLA.SP4.9ZU2. xx .2	custom	custom	85 mm 3 11/32"	custom	custom	custom	custom	37 mm 1 29/64"

The additional support is necessary for A > 1371,6 mm - 54"
Dimension (A + D1) MIN = 990,6 mm - 39"
Dimension (E + D2) MIN = 178 mm - 7". Dimension E MIN = 160 mm
Activation bar midpoint has to be at MAX 48" (1219,2 mm) above finish fio

Silver Bronze Black



.XX = FINISH CODE

SATIN ANODIZED ALUMINUM
.69 SILVER
.67 BRONZE
.68 BLACK

ACTIVATION BAR:
SILVER FOR BLACK PULL
BLACK FOR SILVER PULL
BLACK FOR BRONZE PULL
COLORS on request page 54
CAPS: polyamide-6 black with black anodized activation bar and polyamide-6 grey with all the other activation bar anodized colors.

EDGE COMPONENT:
BLACK FOR BLACK AND BRONZE PULL
GREY FOR SILVER PULL



DOOR PREPARATION DP6
page 63

SPACERS FOR DOUBLE GLAZED DOOR
KLA.KIT.99U4
page 62

STRIKE DETAILS
page 58 - page 59

THESE PRODUCTS CONTRIBUTE TO LEED® CREDITS

ALL DIMENSIONS IN THE CATALOG DRAWINGS ARE APPROXIMATIONS. REQUEST THE APPROPRIATE TECHNICAL DRAWING BEFORE DOOR PREPARATION AND INSTALLATION.

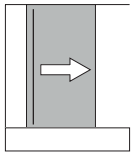
BRAND OF COMPATIBLE RIM CYLINDER:
- ARROW - BEST
- CORBIN RUSSWIN - KABAILCO
- MEDECO - SARGENT
- SCHLAGE - YALE

COMBINED NON LOCKING page 51

ITEM
KLA.0G4.99ZU



SINGLE-MOTION UNLOCKING DOOR PULL
FOR SLIDING DOOR
STAINLESS STEEL 316L



PATENT
PENDING
no.16/838612

SINGLE
MOTION

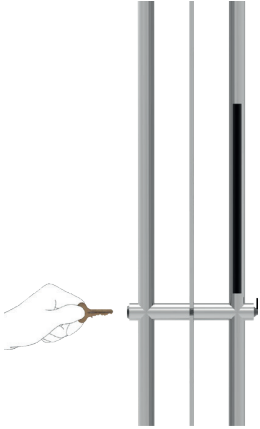
A D A
< 5 lbf



OUTSIDE

SINGLE-MOTION UNLOCKING DOOR PULL FOR SLIDING DOOR

USE KEY TO LOCK (L) AND UNLOCK (U)



U TOP BOLT RETRACTS INTO THE PULL



ACTIVATION BAR DRAWS BACK INTO PULL



THUMBTURN ROTATES INTO THE UPWARD POSITION

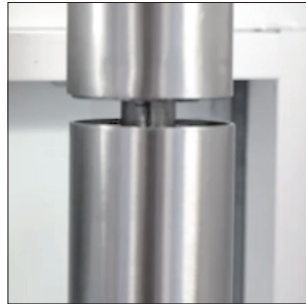
L TOP BOLT ENGAGES UPWARD INTO THE TOP STRIKE

ACTIVATION BAR PUSHES OUT OF THE PULL

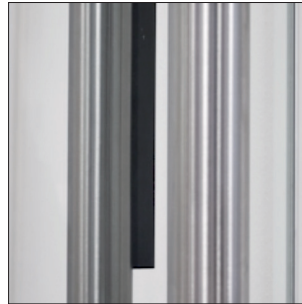
THUMBTURN ROTATES DOWNWARD TO ITS SIDEWAYS POSITION

INSIDE

USE THUMBTURN TO LOCK (L)



L TOP BOLT ENGAGES UPWARD INTO THE TOP STRIKE



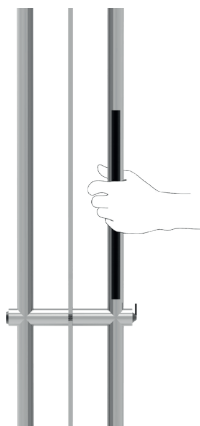
ACTIVATION BAR PUSHES OUT OF THE PULL



THUMBTURN ROTATES DOWNWARD TO ITS SIDEWAYS POSITION

INSIDE

UNLOCK (U) AND OPEN DOOR VIA ACTIVATION BAR



U TOP BOLT RETRACTS INTO THE PULL

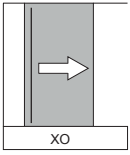


ACTIVATION BAR DRAWS BACK INTO PULL

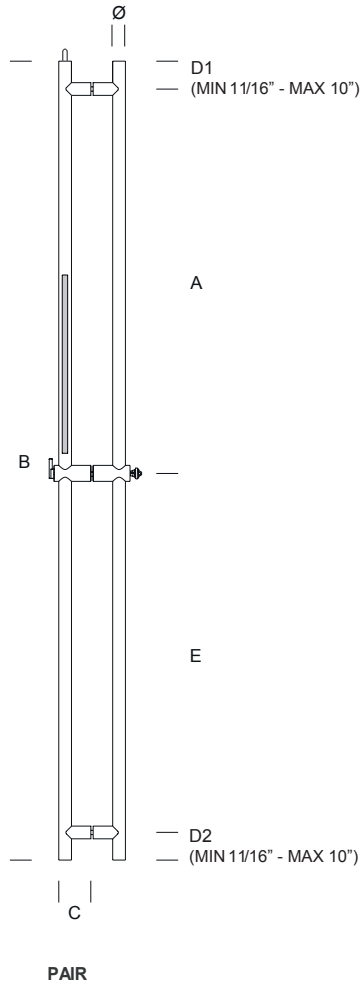
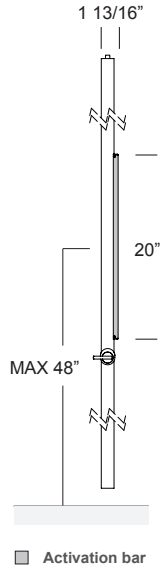


THUMBTURN ROTATES INTO THE UPWARD POSITION

LOCKING
FULL SIZE



ADA
< 5 lbf



PATENT
PENDING
no.16/838612

CYLINDER NOT INCLUDED



RIM CYLINDER
WITH IC



RIM CYLINDER



INCLUDED:
ADA 1-9/16"
COMPLIANT
THUMBTURN

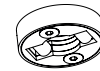


ON REQUEST:
ADA 3"
COMPLIANT
THUMBTURN

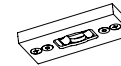
≈30 mm
1 31/16"



INCLUDED:
ADJUSTABLE
STEEL DEAD BOLT



INCLUDED:
STRIKE WITH
ROLLERS



ON REQUEST:
ADJUSTABLE TOP STRIKE
WITH ROLLERS

ON REQUEST:
CUSTOM STRIKE

PAIR



TOP
LOCKING

ITEM	A	B	C	D1	D2	E	Ø
KLO.SS4.0U72. xx .2	custom	1828 mm 72"	80 mm 3 1/8"	custom	custom	custom	35 mm 1 3/8"
KLO.SS4.0U84. xx .2	custom	2133 mm 84"	80 mm 3 1/8"	custom	custom	custom	35 mm 1 3/8"
KLO.SS4.999U. xx .2	custom	custom	80 mm 3 1/8"	custom	custom	custom	35 mm 1 3/8"

The additional support is necessary for A > 1371,6 mm - 54"

Dimension (A + D1) MIN = 990,6 mm - 39"

Dimension (E + D2) MIN = 178 mm - 7". Dimension E MIN = 160 mm

Activation bar midpoint has to be at MAX 48" (1219,2 mm) above finish flo

BRAND OF COMPATIBLE RIM CYLINDER:

- ARROW
- CORBIN RUSSWIN
- MEDECO
- SCHLAGE
- BEST
- KABAILCO
- SARGENT
- YALE

.XX = FINISH CODE

STAINLESS STEEL

- .43 BRIGHT STAINLESS STEEL (ANSI/BHMA 629 - USD32)
- .44 SATIN STAINLESS STEEL (ANSI/BHMA 630 - USD32D)

ACTIVATION BAR:

BLACK ANODIZED ALUMINUM
COLORS on request page 54
CAPS: polyamide-6 black with black anodized activation bar and polyamide-6 grey with all the other activation bar anodized colors.



DOOR PREPARATION DP6
page 63

SPACERS FOR DOUBLE GLAZED DOOR
KLO.KIT.99U4
page 62

STRIKE DETAILS
page 58 - page 59

THESE PRODUCTS CONTRIBUTE TO LEED® CREDITS

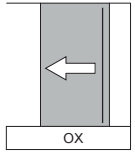
ALL DIMENSIONS IN THE CATALOG DRAWINGS ARE APPROXIMATIONS.
REQUEST THE APPROPRIATE TECHNICAL DRAWING BEFORE DOOR
PREPARATION AND INSTALLATION.

COMBINED NON
LOCKING page 44

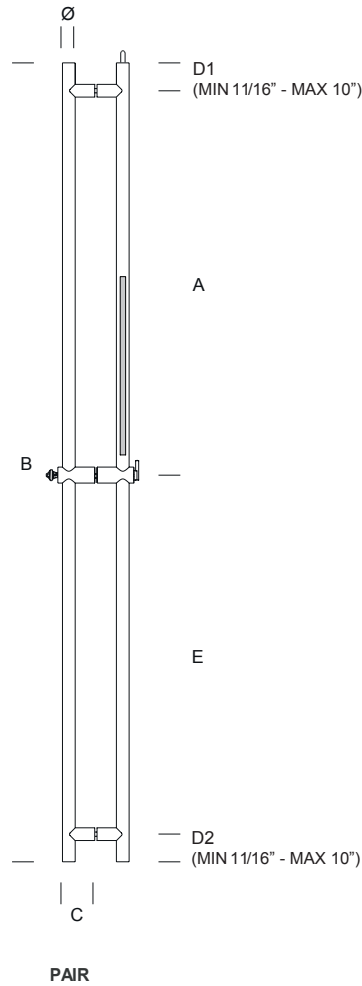
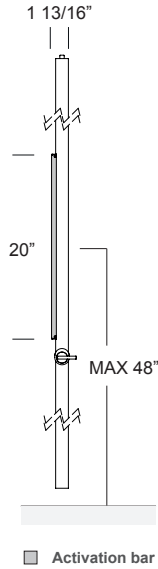
ITEM
KLO.0G4.000U
KLO.0G4.999U
KLO.0G4.0U72
KLO.0G4.0U84



LOCKING
FULL SIZE



ADA
< 5 lbf



PATENT
PENDING
no. 16/838612

CYLINDER NOT INCLUDED



ON REQUEST:
CUSTOM STRIKE

PAIR



TOP
LOCKING

ITEM	A	B	C	D1	D2	E	Ø
KLO.SS4.0U72. .xx .1	custom	1828 mm 72"	80 mm 3 1/8"	custom	custom	custom	35 mm 1 3/8"
KLO.SS4.0U84. .xx .1	custom	2133 mm 84"	80 mm 3 1/8"	custom	custom	custom	35 mm 1 3/8"
KLO.SS4.999U. .xx .1	custom	custom	80 mm 3 1/8"	custom	custom	custom	35 mm 1 3/8"

The additional support is necessary for A > 1371,6 mm - 54"

Dimension (A + D1) MIN = 990,6 mm - 39"

Dimension (E + D2) MIN = 178 mm - 7". Dimension E MIN = 160 mm

Activation bar midpoint has to be at MAX 48" (1219,2 mm) above finish flo

BRAND OF COMPATIBLE RIM CYLINDER:

- ARROW
- CORBIN RUSSWIN
- MEDECO
- SCHLAGE
- BEST
- KABAILCO
- SARGENT
- YALE

.XX = FINISH CODE

STAINLESS STEEL

- .43 BRIGHT STAINLESS STEEL (ANSI/BHMA 629 - USD32)
- .44 SATIN STAINLESS STEEL (ANSI/BHMA 630 - USD32D)

ACTIVATION BAR:

BLACK ANODIZED ALUMINUM
COLORS on request page 54
CAPS: polyamide-6 black with black anodized activation bar and polyamide-6 grey with all the other activation bar anodized colors.



DOOR PREPARATION DP6
page 63

SPACERS FOR DOUBLE GLAZED DOOR
KLO.KIT.99U4
page 62

STRIKE DETAILS
page 58 - page 59

THESE PRODUCTS CONTRIBUTE TO LEED® CREDITS

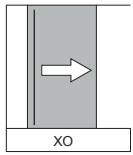
ALL DIMENSIONS IN THE CATALOG DRAWINGS ARE APPROXIMATIONS.
REQUEST THE APPROPRIATE TECHNICAL DRAWING BEFORE DOOR
PREPARATION AND INSTALLATION.

COMBINED NON
LOCKING page 44

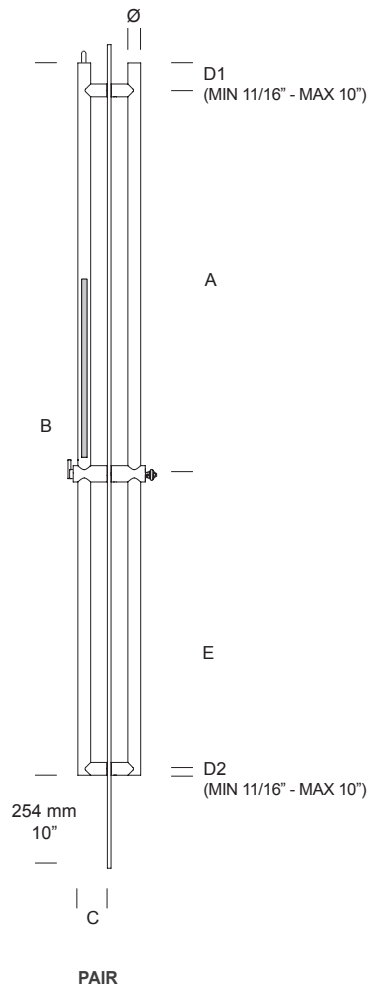
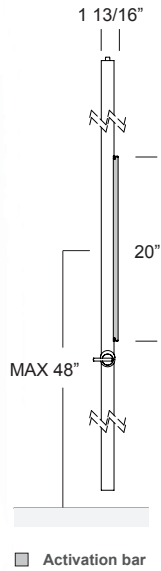
ITEM
KLO.0G4.000U
KLO.0G4.999U
KLO.0G4.0U72
KLO.0G4.0U84



LOCKING
FULL SIZE



ADA
< 5 lbf



ADA
10"
clearance
layout

PATENT
PENDING
no.16839612

CYLINDER NOT INCLUDED



ON REQUEST:
CUSTOM STRIKE

PAIR

TOP
LOCKING



ITEM	A	B	C	D1	D2	E	Ø
KLO.SS4.RU72. xx .2	custom	1828 mm 72"	80 mm 3 1/8"	custom	custom	custom	35 mm 1 3/8"
KLO.SS4.RU84. xx .2	custom	2133 mm 84"	80 mm 3 1/8"	custom	custom	custom	35 mm 1 3/8"
KLO.SS4.99RU. xx .2	custom	custom	80 mm 3 1/8"	custom	custom	custom	35 mm 1 3/8"

The additional support is necessary for A > 1371,6 mm - 54"

Dimension (A + D1) MIN = 990,6 mm - 39"

Dimension (E + D2) MIN = 178 mm - 7". Dimension E MIN = 160 mm

Activation bar midpoint has to be at MAX 48" (1219,2 mm) above finish flo

BRAND OF COMPATIBLE RIM CYLINDER:

- ARROW
- CORBIN RUSSWIN
- MEDECO
- SCHLAGE
- BEST
- KABAILCO
- SARGENT
- YALE

.XX = FINISH CODE

STAINLESS STEEL

- .43 BRIGHT STAINLESS STEEL (ANSI/BHMA 629 - USD32)
- .44 SATIN STAINLESS STEEL (ANSI/BHMA 630 - USD32D)

ACTIVATION BAR:

BLACK ANODIZED ALUMINUM
COLORS on request page 54
CAPS: polyamide-6 black with black anodized activation bar and polyamide-6 grey with all the other activation bar anodized colors.



DOOR PREPARATION DP6
page 63

SPACERS FOR DOUBLE GLAZED DOOR
KLO.KIT.99U4
page 62

STRIKE DETAILS
page 58 - page 59

* TO COMPLY WITH ADA THE ACTIVATION BAR (IN THE MIDDLE) HAS TO BE POSITIONED AT MAX 48" (1219,2 mm) ABOVE FINISH FLOOR.

THESE PRODUCTS CONTRIBUTE TO LEED® CREDITS

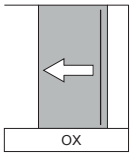
ALL DIMENSIONS IN THE CATALOG DRAWINGS ARE APPROXIMATIONS. REQUEST THE APPROPRIATE TECHNICAL DRAWING BEFORE DOOR PREPARATION AND INSTALLATION.

COMBINED NON
LOCKING page 45

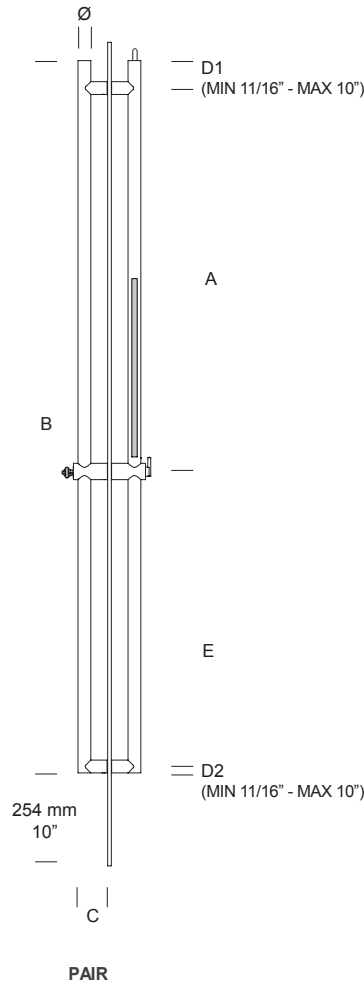
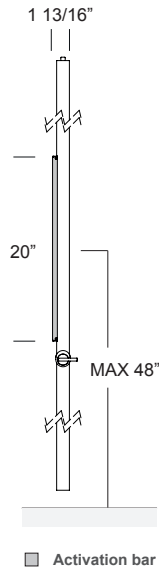
ITEM
KLO.0G4.00RU
KLO.0G4.99RU
KLO.0G4.RU72



LOCKING
FULL SIZE



ADA
< 5 lbf



ADA
10" clearance layout

PATENT
PENDING
no. 16/838612

CYLINDER NOT INCLUDED



RIM CYLINDER WITH IC



RIM CYLINDER



INCLUDED: ADA 1-9/16" COMPLIANT THUMBTURN

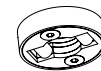


ON REQUEST: ADA 3" COMPLIANT THUMBTURN

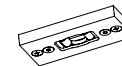
≈30 mm
1 31/16"



INCLUDED: ADJUSTABLE STEEL DEAD BOLT



INCLUDED: STRIKE WITH ROLLERS



ON REQUEST: ADJUSTABLE TOP STRIKE WITH ROLLERS

ON REQUEST: CUSTOM STRIKE

PAIR



TOP LOCKING

ITEM	A	B	C	D1	D2	E	Ø
KLO.SS4.RU72. xx .1	custom	1828 mm 72"	80 mm 3 1/8"	custom	custom	custom	35 mm 1 3/8"
KLO.SS4.RU84. xx .1	custom	2133 mm 84"	80 mm 3 1/8"	custom	custom	custom	35 mm 1 3/8"
KLO.SS4.99RU. xx .1	custom	custom	80 mm 3 1/8"	custom	custom	custom	35 mm 1 3/8"

The additional support is necessary for A > 1371,6 mm - 54"

Dimension (A + D1) MIN = 990,6 mm - 39"

Dimension (E + D2) MIN = 178 mm - 7". Dimension E MIN = 160 mm

Activation bar midpoint has to be at MAX 48" (1219,2 mm) above finish flo

BRAND OF COMPATIBLE RIM CYLINDER:	
- ARROW	- BEST
- CORBIN RUSSWIN	- KABAILCO
- MEDECO	- SARGENT
- SCHLAGE	- YALE

.XX = FINISH CODE

STAINLESS STEEL

- .43 BRIGHT STAINLESS STEEL (ANSI/BHMA 629 - USD32)
- .44 SATIN STAINLESS STEEL (ANSI/BHMA 630 - USD32D)

ACTIVATION BAR:

BLACK ANODIZED ALUMINUM
COLORS on request page 54
CAPS: polyamide-6 black with black anodized activation bar and polyamide-6 grey with all the other activation bar anodized colors.



DOOR PREPARATION DP6
page 63

SPACERS FOR DOUBLE GLAZED DOOR
KLO.KIT.99U4
page 62

STRIKE DETAILS
page 58 - page 59

THESE PRODUCTS CONTRIBUTE TO LEED® CREDITS

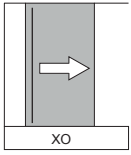
ALL DIMENSIONS IN THE CATALOG DRAWINGS ARE APPROXIMATIONS. REQUEST THE APPROPRIATE TECHNICAL DRAWING BEFORE DOOR PREPARATION AND INSTALLATION.

COMBINED NON LOCKING page 45

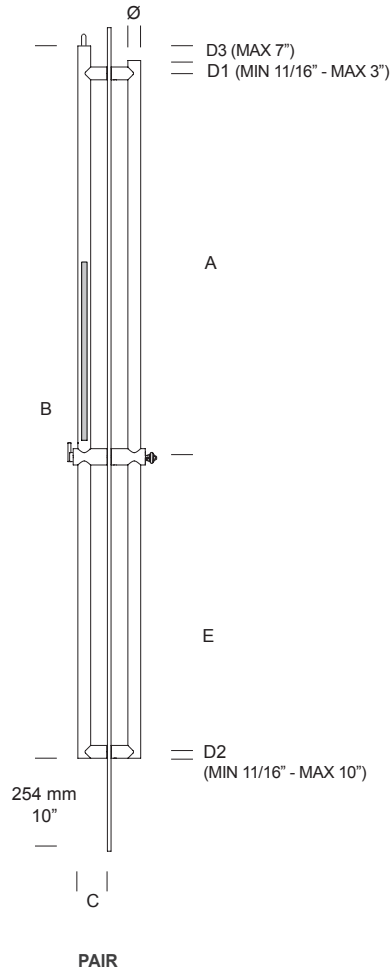
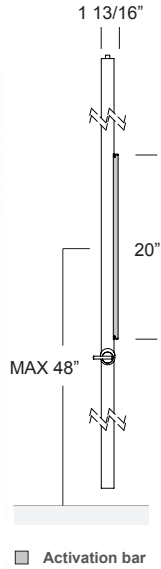
ITEM
KLO.0G4.00RU
KLO.0G4.99RU
KLO.0G4.RU72



LOCKING
FULL SIZE



ADA
< 5 lbf



ADA
10" clearance layout

PATENT
PENDING
no. 16/838612

CYLINDER NOT INCLUDED



RIM CYLINDER WITH IC



RIM CYLINDER



INCLUDED:
ADA 1-9/16" COMPLIANT THUMBTURN



ON REQUEST:
ADA 3" COMPLIANT THUMBTURN

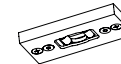
≈30 mm
1 31/16"



INCLUDED:
ADJUSTABLE STEEL DEAD BOLT



INCLUDED:
STRIKE WITH ROLLERS



ON REQUEST:
ADJUSTABLE TOP STRIKE WITH ROLLERS

ON REQUEST:
CUSTOM STRIKE

PAIR



TOP LOCKING

ITEM	A	B	C	D1	D2	D3	E	Ø
KLO.SS4.9ZU1. xx .2	custom	custom	80 mm 3 1/8"	custom	custom	custom	custom	35 mm 1 3/8"
The additional support is necessary for A > 1371,6 mm - 54" Dimension (A + D1) MIN = 990,6 mm - 39" Dimension (E + D2) MIN = 178 mm - 7". Dimension E MIN = 160 mm Activation bar midpoint has to be at MAX 48" (1219,2 mm) above finish flo								

BRAND OF COMPATIBLE RIM CYLINDER:	
- ARROW	- BEST
- CORBIN RUSSWIN	- KABAILCO
- MEDECO	- SARGENT
- SCHLAGE	- YALE

.XX = FINISH CODE

- STAINLESS STEEL
- .43 BRIGHT STAINLESS STEEL (ANSI/BHMA 629 - USD32)
- .44 SATIN STAINLESS STEEL (ANSI/BHMA 630 - USD32D)



ACTIVATION BAR:
BLACK ANODIZED ALUMINUM
COLORS on request page 54
CAPS: polyamide-6 black with black anodized activation bar and polyamide-6 grey with all the other activation bar anodized colors.

DOOR PREPARATION DP6
page 63

SPACERS FOR DOUBLE GLAZED DOOR
KLO.KIT.99U4
page 62

STRIKE DETAILS
page 58 - page 59

THESE PRODUCTS CONTRIBUTE TO LEED® CREDITS

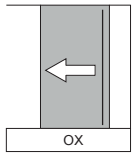
ALL DIMENSIONS IN THE CATALOG DRAWINGS ARE APPROXIMATIONS.
REQUEST THE APPROPRIATE TECHNICAL DRAWING BEFORE DOOR PREPARATION AND INSTALLATION.

COMBINED NON LOCKING page 46

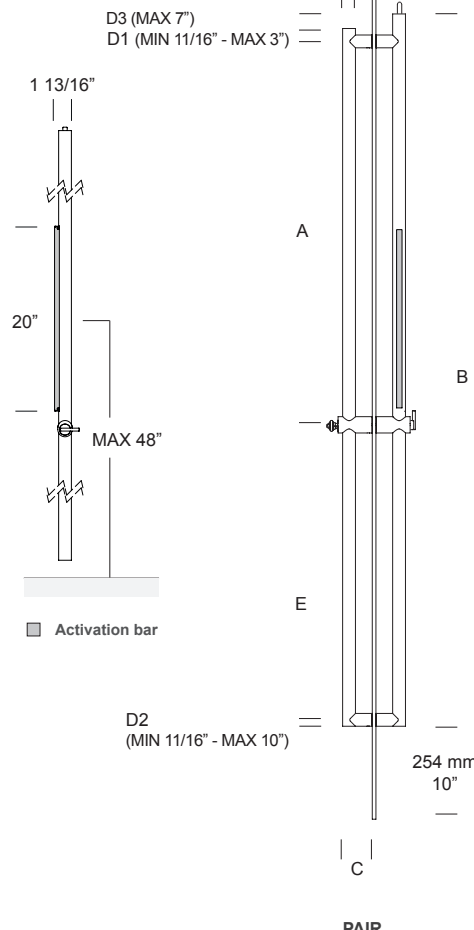
ITEM
KLO.0G4.99ZU



LOCKING
FULL SIZE



ADA
< 5 lbf



ADA
10" clearance layout

PATENT
PENDING
no.16/838612

CYLINDER NOT INCLUDED



ON REQUEST:
CUSTOM STRIKE

PAIR



ITEM	A	B	C	D1	D2	D3	E	Ø
KLO.SS4.9ZU1. xx .1	custom	custom	80 mm 3 1/8"	custom	custom	custom	custom	35 mm 1 3/8"

The additional support is necessary for A > 1371,6 mm - 54"
Dimension (A + D1) MIN = 990,6 mm - 39"
Dimension (E + D2) MIN = 178 mm - 7". Dimension E MIN = 160 mm
Activation bar midpoint has to be at MAX 48" (1219,2 mm) above finish flo

TOP
LOCKING

BRAND OF COMPATIBLE RIM CYLINDER:

- ARROW
- CORBIN RUSSWIN
- MEDECO
- SCHLAGE
- BEST
- KABAILCO
- SARGENT
- YALE

.XX = FINISH CODE

- STAINLESS STEEL
- .43 BRIGHT STAINLESS STEEL (ANSI/BHMA 629 - USD32)
- .44 SATIN STAINLESS STEEL (ANSI/BHMA 630 - USD32D)



DOOR PREPARATION DP6
page 63

SPACERS FOR DOUBLE GLAZED DOOR
KLO.KIT.99U4
page 62

STRIKE DETAILS
page 58 - page 59

THESE PRODUCTS CONTRIBUTE TO LEED® CREDITS

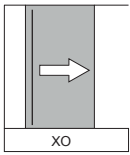
ALL DIMENSIONS IN THE CATALOG DRAWINGS ARE APPROXIMATIONS.
REQUEST THE APPROPRIATE TECHNICAL DRAWING BEFORE DOOR
PREPARATION AND INSTALLATION.

COMBINED NON
LOCKING page 46

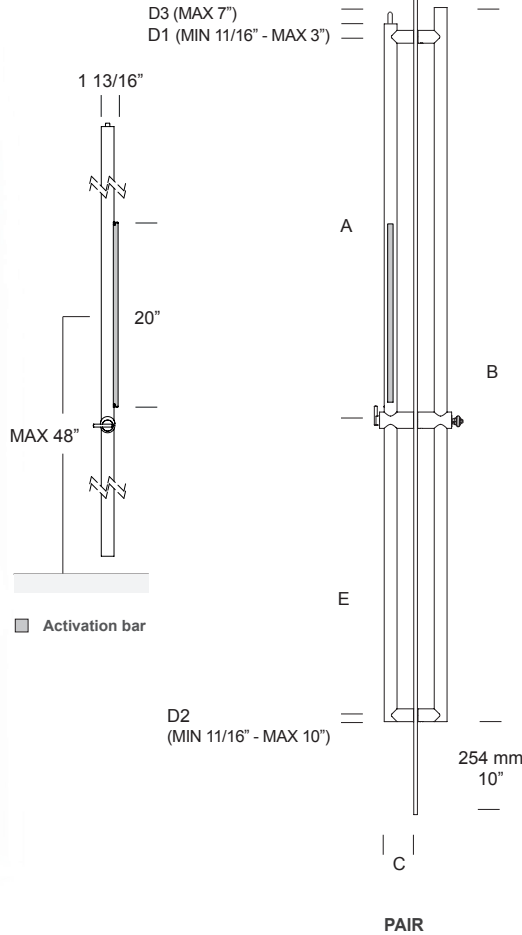
ITEM
KLO.0G4.99ZU



**LOCKING
FULL SIZE**



ADA
< 5 lbf



ADA
10" clearance layout

PATENT
PENDING
no. 16/838612

CYLINDER NOT INCLUDED



RIM CYLINDER WITH IC



RIM CYLINDER



INCLUDED:
ADA 1-9/16" COMPLIANT THUMBTURN



ON REQUEST:
ADA 3" COMPLIANT THUMBTURN

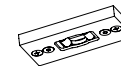
≈30 mm
1 31/16"



INCLUDED:
ADJUSTABLE STEEL DEAD BOLT



INCLUDED:
STRIKE WITH ROLLERS



ON REQUEST:
ADJUSTABLE TOP STRIKE WITH ROLLERS

ON REQUEST:
CUSTOM STRIKE

PAIR



TOP LOCKING

ITEM	A	B	C	D1	D2	D3	E	Ø
KLO.SS4.9ZU2. xx.2	custom	custom	80 mm 3 1/8"	custom	custom	custom	custom	35 mm 1 3/8"
The additional support is necessary for A > 1371,6 mm - 54" Dimension (A + D1) MIN = 990,6 mm - 39" Dimension (E + D2) MIN = 178 mm - 7". Dimension E MIN = 160 mm Activation bar midpoint has to be at MAX 48" (1219,2 mm) above finish flo								

BRAND OF COMPATIBLE RIM CYLINDER:	
- ARROW	- BEST
- CORBIN RUSSWIN	- KABAILCO
- MEDECO	- SARGENT
- SCHLAGE	- YALE

.XX = FINISH CODE

STAINLESS STEEL

- .43 BRIGHT STAINLESS STEEL (ANSI/BHMA 629 - USD32)
- .44 SATIN STAINLESS STEEL (ANSI/BHMA 630 - USD32D)

ACTIVATION BAR:

BLACK ANODIZED ALUMINUM
COLORS on request page 54
CAPS: polyamide-6 black with black anodized activation bar and polyamide-6 grey with all the other activation bar anodized colors.



DOOR PREPARATION DP6
page 63

SPACERS FOR DOUBLE GLAZED DOOR
KLO.KIT.99U4
page 62

STRIKE DETAILS
page 58 - page 59

THESE PRODUCTS CONTRIBUTE TO LEED® CREDITS

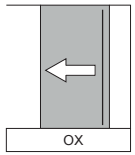
ALL DIMENSIONS IN THE CATALOG DRAWINGS ARE APPROXIMATIONS.
REQUEST THE APPROPRIATE TECHNICAL DRAWING BEFORE DOOR PREPARATION AND INSTALLATION.

COMBINED NON LOCKING page 46

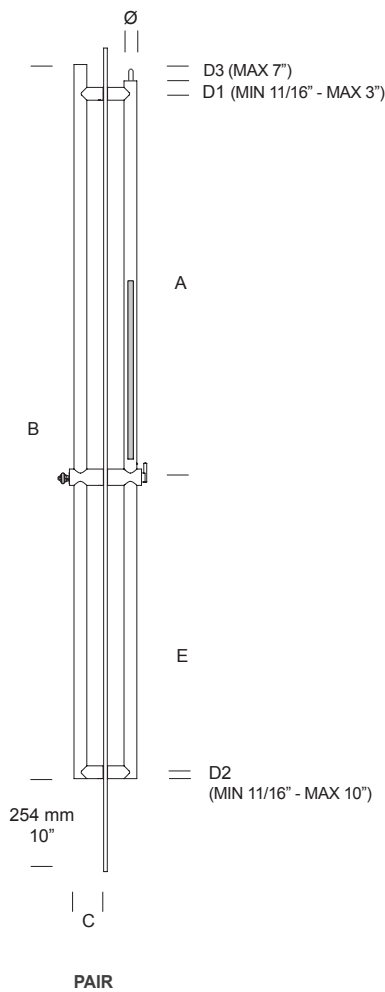
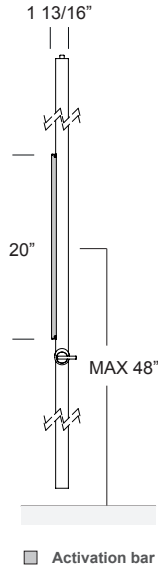
ITEM
KLO.0G4.99ZU



LOCKING
FULL SIZE



ADA
< 5 lbf



ADA
10"
clearance
layout

PATENT
PENDING
no.16/838612

CYLINDER NOT INCLUDED



RIM CYLINDER
WITH IC



RIM CYLINDER



INCLUDED:
ADA 1-9/16"
COMPLIANT
THUMBTURN

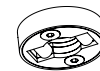


ON REQUEST:
ADA 3"
COMPLIANT
THUMBTURN

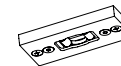
≈30 mm
1 31/16"



INCLUDED:
ADJUSTABLE
STEEL DEAD BOLT



INCLUDED:
STRIKE WITH
ROLLERS



ON REQUEST:
ADJUSTABLE TOP STRIKE
WITH ROLLERS

ON REQUEST:
CUSTOM STRIKE

PAIR



TOP
LOCKING

ITEM	A	B	C	D1	D2	D3	E	Ø
KLO.SS4.9ZU2. xx .1	custom	custom	80 mm 3 1/8"	custom	custom	custom	custom	35 mm 1 3/8"
The additional support is necessary for A > 1371,6 mm - 54" Dimension (A + D1) MIN = 990,6 mm - 39" Dimension (E + D2) MIN = 178 mm - 7". Dimension E MIN = 160 mm Activation bar midpoint has to be at MAX 48" (1219,2 mm) above finish flo								

BRAND OF COMPATIBLE RIM CYLINDER:	
- ARROW	- BEST
- CORBIN RUSSWIN	- KABAILCO
- MEDECO	- SARGENT
- SCHLAGE	- YALE

.XX = FINISH CODE

- STAINLESS STEEL
- .43 BRIGHT STAINLESS STEEL (ANSI/BHMA 629 - USD32)
- .44 SATIN STAINLESS STEEL (ANSI/BHMA 630 - USD32D)

ACTIVATION BAR:
BLACK ANODIZED ALUMINUM
COLORS on request page 54
CAPS: polyamide-6 black with black anodized activation bar and polyamide-6 grey with all the other activation bar anodized colors.



DOOR PREPARATION DP6
page 63

SPACERS FOR DOUBLE GLAZED DOOR
KLO.KIT.99U4
page 62

STRIKE DETAILS
page 58 - page 59

THESE PRODUCTS CONTRIBUTE TO LEED® CREDITS

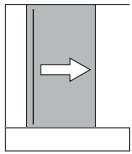
ALL DIMENSIONS IN THE CATALOG DRAWINGS ARE APPROXIMATIONS.
REQUEST THE APPROPRIATE TECHNICAL DRAWING BEFORE DOOR
PREPARATION AND INSTALLATION.

COMBINED NON
LOCKING page 46

ITEM
KLO.0G4.99ZU



SINGLE-MOTION UNLOCKING DOOR PULL
FOR SLIDING DOOR
ALUMINUM



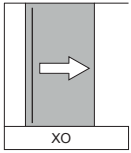
PATENT
PENDING
no.16/838612

SINGLE
MOTION

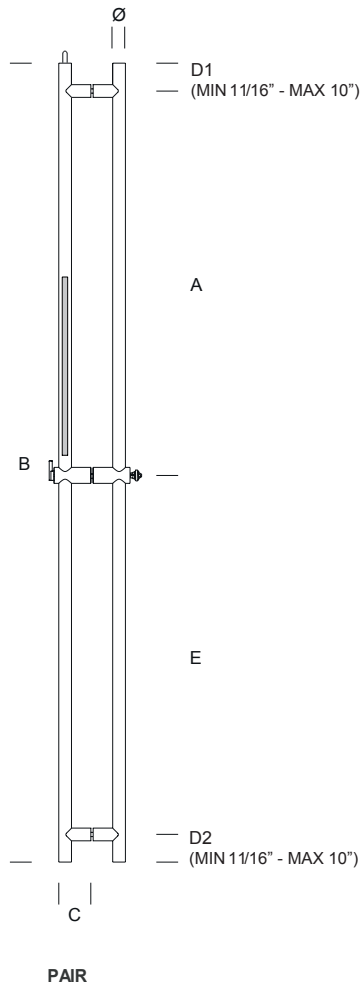
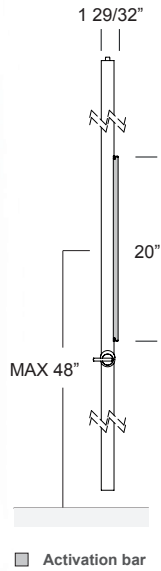
A D A
< 5 lbf



LOCKING
FULL SIZE



ADA
< 5 lbf



PATENT
PENDING
no.16/838612

CYLINDER NOT INCLUDED



RIM CYLINDER
WITH IC



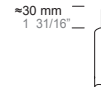
RIM CYLINDER



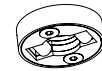
INCLUDED:
ADA 1-9/16"
COMPLIANT
THUMBTURN



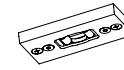
ON REQUEST:
ADA 3"
COMPLIANT
THUMBTURN



INCLUDED:
ADJUSTABLE
STEEL DEAD BOLT



INCLUDED:
STRIKE WITH
ROLLERS



ON REQUEST:
ADJUSTABLE TOP STRIKE
WITH ROLLERS

ON REQUEST:
CUSTOM STRIKE

PAIR



TOP
LOCKING

ITEM	A	B	C	D1	D2	E	∅
KLA.SS4.0U72. xx .2	custom	1828 mm 72"	85 mm 3 11/32"	custom	custom	custom	37 mm 1 29/64"
KLA.SS4.0U84. xx .2	custom	2133 mm 84"	85 mm 3 11/32"	custom	custom	custom	37 mm 1 29/64"
KLA.SS4.999U. xx .2	custom	custom	85 mm 3 11/32"	custom	custom	custom	37 mm 1 29/64"

The additional support is necessary for A > 1371,6 mm - 54"

Dimension (A + D1) MIN = 990,6 mm - 39"

Dimension (E + D2) MIN = 178 mm - 7". Dimension E MIN = 160 mm

Activation bar midpoint has to be at MAX 48" (1219,2 mm) above finish flo

Silver Bronze Black



.XX = FINISH CODE

SATIN ANODIZED ALUMINUM

.69 SILVER
.67 BRONZE
.68 BLACK

ACTIVATION BAR:

SILVER FOR BLACK PULL
BLACK FOR SILVER PULL
BLACK FOR BRONZE PULL
COLORS on request page 54
CAPS: polyamide-6 black with black anodized activation bar and
polyamide-6 grey with all the other activation bar anodized colors.

EDGE COMPONENT:

BLACK FOR BLACK AND BRONZE PULL
GREY FOR SILVER PULL



Declare.

DOOR PREPARATION DP6
page 63

SPACERS FOR DOUBLE GLAZED DOOR
KLO.KIT.99U4
page 62

STRIKE DETAILS
page 58 - page 59

THESE PRODUCTS CONTRIBUTE TO LEED® CREDITS

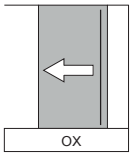
ALL DIMENSIONS IN THE CATALOG DRAWINGS ARE APPROXIMATIONS.
REQUEST THE APPROPRIATE TECHNICAL DRAWING BEFORE DOOR
PREPARATION AND INSTALLATION.

COMBINED NON
LOCKING page 49

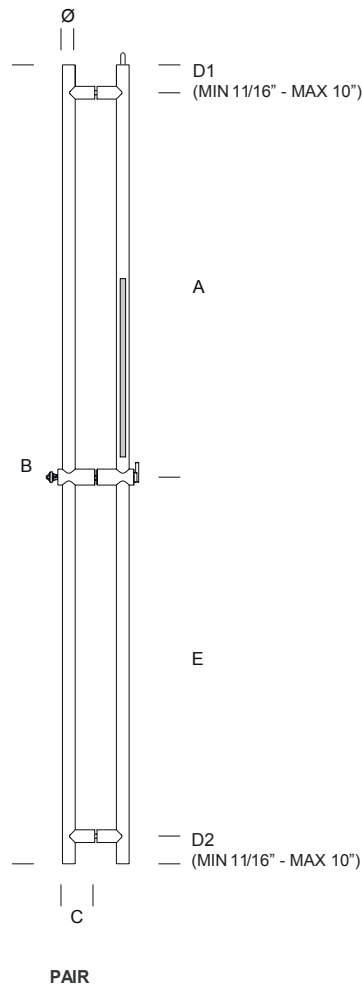
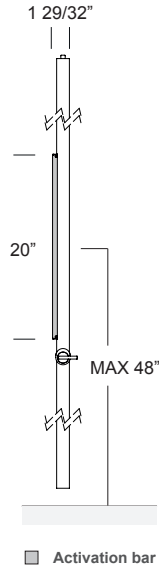
ITEM
KLA.0G4.000U
KLA.0G4.999U
KLA.0G4.0U72
KLA.0G4.0U84



LOCKING
FULL SIZE



ADA
< 5 lbf



PATENT
PENDING
no. 16/838612

CYLINDER NOT INCLUDED



RIM CYLINDER
WITH IC



RIM CYLINDER



INCLUDED:
ADA 1-9/16"
COMPLIANT
THUMBTURN



ON REQUEST:
ADA 3"
COMPLIANT
THUMBTURN

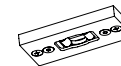
≈30 mm
1 31/16"



INCLUDED:
ADJUSTABLE
STEEL DEAD BOLT



INCLUDED:
STRIKE WITH
ROLLERS



ON REQUEST:
ADJUSTABLE TOP STRIKE
WITH ROLLERS

ON REQUEST:
CUSTOM STRIKE

PAIR



TOP
LOCKING

ITEM	A	B	C	D1	D2	E	Ø
KLA.SS4.0U72. .xx .1	custom	1828 mm 72"	85 mm 3 11/32"	custom	custom	custom	37 mm 1 29/64"
KLA.SS4.0U84. .xx .1	custom	2133 mm 84"	85 mm 3 11/32"	custom	custom	custom	37 mm 1 29/64"
KLA.SS4.999U. .xx .1	custom	custom	85 mm 3 11/32"	custom	custom	custom	37 mm 1 29/64"

The additional support is necessary for A > 1371,6 mm - 54"

Dimension (A + D1) MIN = 990,6 mm - 39"

Dimension (E + D2) MIN = 178 mm - 7". Dimension E MIN = 160 mm

Activation bar midpoint has to be at MAX 48" (1219,2 mm) above finish flo

Silver Bronze Black



.XX = FINISH CODE

SATIN ANODIZED ALUMINUM
.69 SILVER
.67 BRONZE
.68 BLACK

ACTIVATION BAR:

SILVER FOR BLACK PULL
BLACK FOR SILVER PULL
BLACK FOR BRONZE PULL
COLORS on request page 54
CAPS: polyamide-6 black with black anodized activation bar and
polyamide-6 grey with all the other activation bar anodized colors.

EDGE COMPONENT:

BLACK FOR BLACK AND BRONZE PULL
GREY FOR SILVER PULL



DOOR PREPARATION DP6
page 63

SPACERS FOR DOUBLE GLAZED DOOR
KLO.KIT.99U4
page 62

STRIKE DETAILS
page 58 - page 59

THESE PRODUCTS CONTRIBUTE TO LEED® CREDITS

ALL DIMENSIONS IN THE CATALOG DRAWINGS ARE APPROXIMATIONS.
REQUEST THE APPROPRIATE TECHNICAL DRAWING BEFORE DOOR
PREPARATION AND INSTALLATION.

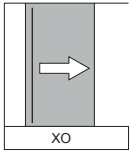
BRAND OF COMPATIBLE RIM CYLINDER:	
- ARROW	- BEST
- CORBIN RUSSWIN	- KABAILCO
- MEDECO	- SARGENT
- SCHLAGE	- YALE

COMBINED NON
LOCKING page 49

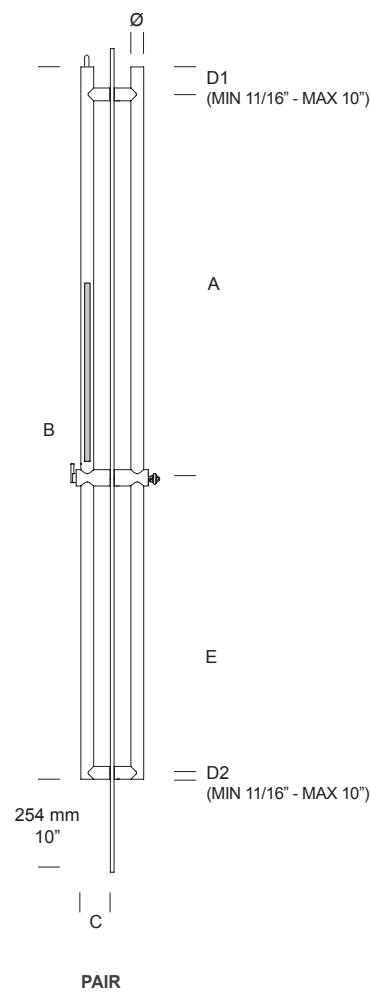
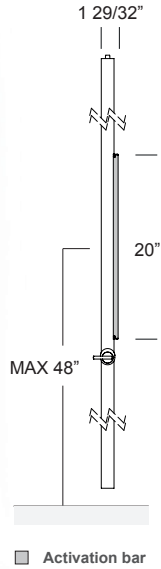
ITEM
KLA.0G4.000U
KLA.0G4.999U
KLA.0G4.0U72
KLA.0G4.0U84



LOCKING
FULL SIZE



ADA
< 5 lbf



ADA
10"
clearance
l a y o u t

PATENT
PENDING
no.16/838612

CYLINDER NOT INCLUDED



RIM CYLINDER
WITH IC



RIM CYLINDER



INCLUDED:
ADA 1-3/16"
COMPLIANT
THUMBTURN

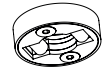


ON REQUEST:
ADA 3"
COMPLIANT
THUMBTURN

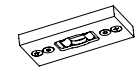
≈30 mm
1 31/16"



INCLUDED:
ADJUSTABLE
STEEL DEAD BOLT



INCLUDED:
STRIKE WITH
ROLLERS



ON REQUEST:
ADJUSTABLE TOP STRIKE
WITH ROLLERS

ON REQUEST:
CUSTOM STRIKE

PAIR



TOP
LOCKING

ITEM	A	B	C	D1	D2	E	Ø
KLA.SS4.RU72. xx .2	custom	1828 mm 72"	85 mm 3 11/32"	custom	custom	custom	37 mm 1 29/64"
KLA.SS4.RU84. xx .2	custom	2133 mm 84"	85 mm 3 11/32"	custom	custom	custom	37 mm 1 29/64"
KLA.SS4.99RU. xx .2	custom	custom	85 mm 3 11/32"	custom	custom	custom	37 mm 1 29/64"

The additional support is necessary for A > 1371,6 mm - 54"

Dimension (A + D1) MIN = 990,6 mm - 39"

Dimension (E + D2) MIN = 178 mm - 7". Dimension E MIN = 160 mm

Activation bar midpoint has to be at MAX 48" (1219,2 mm) above finish flo

Silver Bronze Black



.XX = FINISH CODE

SATIN ANODIZED ALUMINUM
.69 SILVER
.67 BRONZE
.68 BLACK

ACTIVATION BAR:

SILVER FOR BLACK PULL
BLACK FOR SILVER PULL
BLACK FOR BRONZE PULL
COLORS on request page 54
CAPS: polyamide-6 black with black anodized activation bar and
polyamide-6 grey with all the other activation bar anodized colors.

EDGE COMPONENT:

BLACK FOR BLACK AND BRONZE PULL
GREY FOR SILVER PULL



Declare.

DOOR PREPARATION DP6
page 63

SPACERS FOR DOUBLE GLAZED DOOR
KLO.KIT.99U4
page 62

STRIKE DETAILS
page 58 - page 59

THESE PRODUCTS CONTRIBUTE TO LEED® CREDITS

ALL DIMENSIONS IN THE CATALOG DRAWINGS ARE APPROXIMATIONS.
REQUEST THE APPROPRIATE TECHNICAL DRAWING BEFORE DOOR
PREPARATION AND INSTALLATION.

BRAND OF COMPATIBLE RIM CYLINDER:

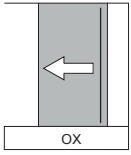
- ARROW
- CORBIN RUSSWIN
- MEDECO
- SCHLAGE
- BEST
- KABAILCO
- SARGENT
- YALE

COMBINED NON
LOCKING page 50

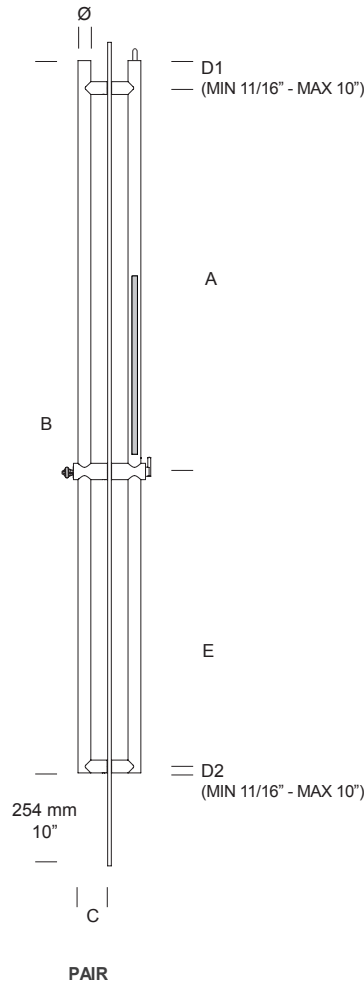
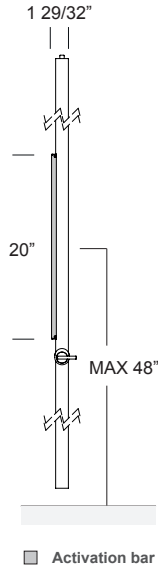
ITEM
KLA.0G4.00RU
KLA.0G4.99RU
KLA.0G4.RU72



LOCKING
FULL SIZE



ADA
< 5 lbf



ADA
10"
clearance
layout

PATENT
PENDING
no.16/838612

CYLINDER NOT INCLUDED



RIM CYLINDER
WITH IC



RIM CYLINDER



INCLUDED:
ADA 1-3/16"
COMPLIANT
THUMBTURN

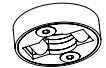


ON REQUEST:
ADA 3"
COMPLIANT
THUMBTURN

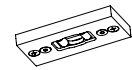
≈30 mm
1 31/16"



INCLUDED:
ADJUSTABLE
STEEL DEAD BOLT



INCLUDED:
STRIKE WITH
ROLLERS



ON REQUEST:
ADJUSTABLE TOP STRIKE
WITH ROLLERS

ON REQUEST:
CUSTOM STRIKE

PAIR



TOP
LOCKING

ITEM	A	B	C	D1	D2	E	Ø
KLA.SS4.RU72. xx .1	custom	1828 mm 72"	85 mm 3 11/32"	custom	custom	custom	37 mm 1 29/64"
KLA.SS4.RU84. xx .1	custom	2133 mm 84"	85 mm 3 11/32"	custom	custom	custom	37 mm 1 29/64"
KLA.SS4.99RU. xx .1	custom	custom	85 mm 3 11/32"	custom	custom	custom	37 mm 1 29/64"

The additional support is necessary for A > 1371,6 mm - 54"

Dimension (A + D1) MIN = 990,6 mm - 39"

Dimension (E + D2) MIN = 178 mm - 7". Dimension E MIN = 160 mm

Activation bar midpoint has to be at MAX 48" (1219,2 mm) above finish flo

Silver Bronze Black



.XX = FINISH CODE

SATIN ANODIZED ALUMINUM

.69 SILVER
.67 BRONZE
.68 BLACK

ACTIVATION BAR:

SILVER FOR BLACK PULL
BLACK FOR SILVER PULL
BLACK FOR BRONZE PULL
COLORS on request page 54
CAPS: polyamide-6 black with black anodized activation bar and
polyamide-6 grey with all the other activation bar anodized colors.

EDGE COMPONENT:

BLACK FOR BLACK AND BRONZE PULL
GREY FOR SILVER PULL



DOOR PREPARATION DP6
page 63

SPACERS FOR DOUBLE GLAZED DOOR
KLO.KIT.99U4
page 62

STRIKE DETAILS
page 58 - page 59

THESE PRODUCTS CONTRIBUTE TO LEED® CREDITS

ALL DIMENSIONS IN THE CATALOG DRAWINGS ARE APPROXIMATIONS.
REQUEST THE APPROPRIATE TECHNICAL DRAWING BEFORE DOOR
PREPARATION AND INSTALLATION.

BRAND OF COMPATIBLE RIM CYLINDER:

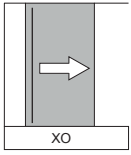
- ARROW	- BEST
- CORBIN RUSSWIN	- KABAILCO
- MEDECO	- SARGENT
- SCHLAGE	- YALE

COMBINED NON
LOCKING page 50

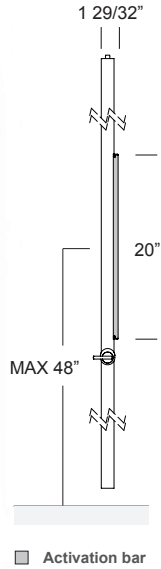
ITEM
KLA.0G4.00RU
KLA.0G4.99RU
KLA.0G4.RU72



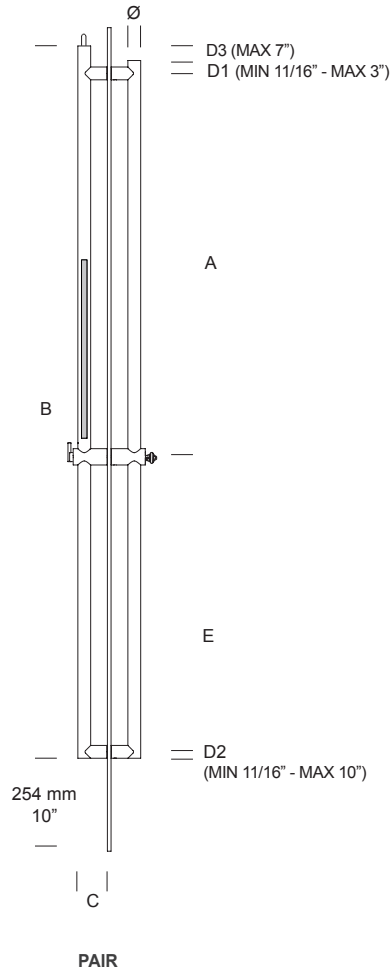
LOCKING
FULL SIZE



ADA
< 5 lbf



■ Activation bar



ADA
10"
clearance
l a y o u t

PATENT
PENDING
no.16/838612

CYLINDER NOT INCLUDED



RIM CYLINDER
WITH IC



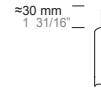
RIM CYLINDER



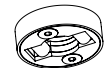
INCLUDED:
ADA 1-3/16"
COMPLIANT
THUMBTURN



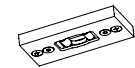
ON REQUEST:
ADA 3"
COMPLIANT
THUMBTURN



INCLUDED:
ADJUSTABLE
STEEL DEAD BOLT



INCLUDED:
STRIKE WITH
ROLLERS



ON REQUEST:
ADJUSTABLE TOP STRIKE
WITH ROLLERS

ON REQUEST:
CUSTOM STRIKE

PAIR



TOP
LOCKING

ITEM	A	B	C	D1	D2	D3	E	Ø
KLA.SS4.9ZU1. xx.2	custom	custom	85 mm 3 11/32"	custom	custom	custom	custom	37 mm 1 29/64"
<p>The additional support is necessary for A > 1371,6 mm - 54"</p> <p>Dimension (A + D1) MIN = 990,6 mm - 39"</p> <p>Dimension (E + D2) MIN = 178 mm - 7". Dimension E MIN = 160 mm</p> <p>Activation bar midpoint has to be at MAX 48" (1219,2 mm) above finish flo</p>								

Silver Bronze Black



.XX = FINISH CODE

SATIN ANODIZED ALUMINUM
.69 SILVER
.67 BRONZE
.68 BLACK

ACTIVATION BAR:

SILVER FOR BLACK PULL
BLACK FOR SILVER PULL
BLACK FOR BRONZE PULL
COLORS on request page 54
CAPS: polyamide-6 black with black anodized activation bar and
polyamide-6 grey with all the other activation bar anodized colors.

EDGE COMPONENT:

BLACK FOR BLACK AND BRONZE PULL
GREY FOR SILVER PULL



DOOR PREPARATION DP6
page 63

SPACERS FOR DOUBLE GLAZED DOOR
KLO.KIT.99U4
page 62

STRIKE DETAILS
page 58 - page 59

THESE PRODUCTS CONTRIBUTE TO LEED® CREDITS

ALL DIMENSIONS IN THE CATALOG DRAWINGS ARE APPROXIMATIONS.
REQUEST THE APPROPRIATE TECHNICAL DRAWING BEFORE DOOR
PREPARATION AND INSTALLATION.

BRAND OF COMPATIBLE RIM CYLINDER:

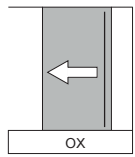
- ARROW
- CORBIN RUSSWIN
- MEDECO
- SCHLAGE
- BEST
- KABAILCO
- SARGENT
- YALE

COMBINED NON
LOCKING page 51

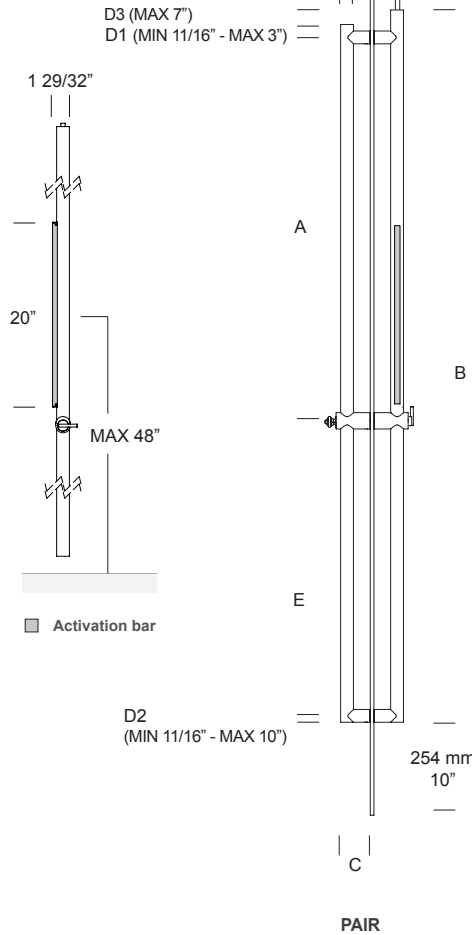
ITEM
KLA.0G4.99ZU



LOCKING FULL SIZE



ADA
< 5 lbf



ADA
10" clearance layout

PATENT
PENDING
no.16/838612

CYLINDER NOT INCLUDED



RIM CYLINDER WITH IC



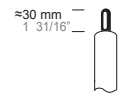
RIM CYLINDER



INCLUDED: ADA 1-3/16" COMPLIANT THUMBTURN



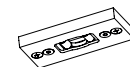
ON REQUEST: ADA 3" COMPLIANT THUMBTURN



INCLUDED: ADJUSTABLE STEEL DEAD BOLT



INCLUDED: STRIKE WITH ROLLERS



ON REQUEST: ADJUSTABLE TOP STRIKE WITH ROLLERS

ON REQUEST: CUSTOM STRIKE

PAIR



TOP LOCKING

ITEM	A	B	C	D1	D2	D3	E	Ø
KLA.SS4.9ZU1. xx .1	custom	custom	85 mm 3 11/32"	custom	custom	custom	custom	37 mm 1 29/64"

The additional support is necessary for A > 1371,6 mm - 54"
Dimension (A + D1) MIN = 990,6 mm - 39"
Dimension (E + D2) MIN = 178 mm - 7". Dimension E MIN = 160 mm
Activation bar midpoint has to be at MAX 48" (1219,2 mm) above finish flo

Silver Bronze Black



.XX = FINISH CODE

SATIN ANODIZED ALUMINUM
.69 SILVER
.67 BRONZE
.68 BLACK

ACTIVATION BAR:
SILVER FOR BLACK PULL
BLACK FOR SILVER PULL
BLACK FOR BRONZE PULL
COLORS on request page 54
CAPS: polyamide-6 black with black anodized activation bar and polyamide-6 grey with all the other activation bar anodized colors.

EDGE COMPONENT:
BLACK FOR BLACK AND BRONZE PULL
GREY FOR SILVER PULL



DOOR PREPARATION DP6
page 63

SPACERS FOR DOUBLE GLAZED DOOR
KLO.KIT.99U4
page 62

STRIKE DETAILS
page 58 - page 59

THESE PRODUCTS CONTRIBUTE TO LEED® CREDITS

ALL DIMENSIONS IN THE CATALOG DRAWINGS ARE APPROXIMATIONS. REQUEST THE APPROPRIATE TECHNICAL DRAWING BEFORE DOOR PREPARATION AND INSTALLATION.

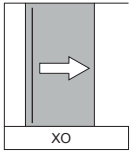
BRAND OF COMPATIBLE RIM CYLINDER:
- ARROW - BEST
- CORBIN RUSSWIN - KABAILCO
- MEDECO - SARGENT
- SCHLAGE - YALE

COMBINED NON LOCKING page 51

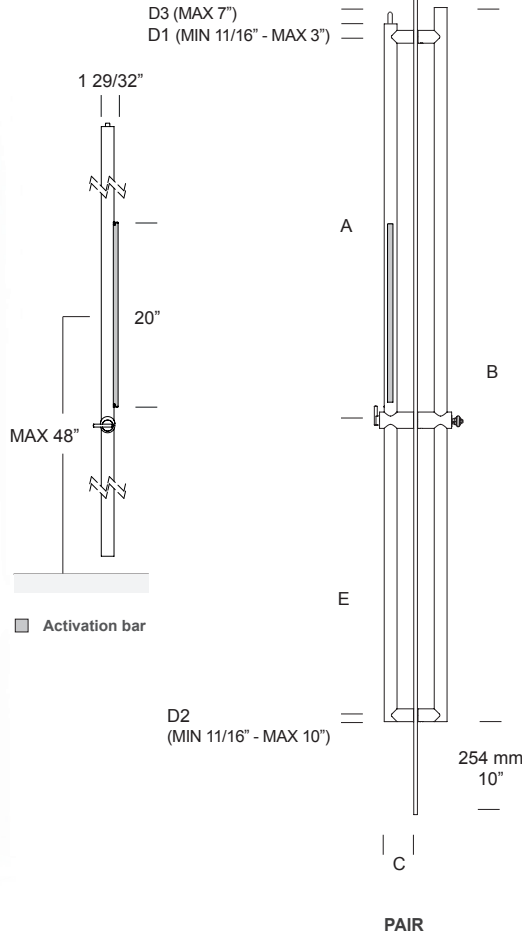
ITEM
KLA.0G4.99ZU



LOCKING
FULL SIZE



ADA
< 5 lbf



ADA
10"
clearance
l a y o u t

PATENT
PENDING
no.16/838612

CYLINDER NOT INCLUDED



RIM CYLINDER
WITH IC



RIM CYLINDER



INCLUDED:
ADA 1-3/16"
COMPLIANT
THUMBTURN

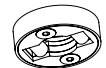


ON REQUEST:
ADA 3"
COMPLIANT
THUMBTURN

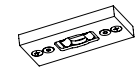
≈30 mm
1 31/16"



INCLUDED:
ADJUSTABLE
STEEL DEAD BOLT



INCLUDED:
STRIKE WITH
ROLLERS



ON REQUEST:
ADJUSTABLE TOP STRIKE
WITH ROLLERS

ON REQUEST:
CUSTOM STRIKE

PAIR



TOP
LOCKING

ITEM	A	B	C	D1	D2	D3	E	Ø
KLA.SS4.9ZU2. xx .2	custom	custom	85 mm 3 11/32"	custom	custom	custom	custom	37 mm 1 29/64"
<p>The additional support is necessary for A > 1371,6 mm - 54"</p> <p>Dimension (A + D1) MIN = 990,6 mm - 39"</p> <p>Dimension (E + D2) MIN = 178 mm - 7". Dimension E MIN = 160 mm</p> <p>Activation bar midpoint has to be at MAX 48" (1219,2 mm) above finish fio</p>								

Silver Bronze Black



.XX = FINISH CODE

SATIN ANODIZED ALUMINUM

- .69 SILVER
- .67 BRONZE
- .68 BLACK

ACTIVATION BAR:

SILVER FOR BLACK PULL
BLACK FOR SILVER PULL
BLACK FOR BRONZE PULL
COLORS on request page 54
CAPS: polyamide-6 black with black anodized activation bar and
polyamide-6 grey with all the other activation bar anodized colors.

EDGE COMPONENT:

BLACK FOR BLACK AND BRONZE PULL
GREY FOR SILVER PULL



Declare.

DOOR PREPARATION DP6
page 63

SPACERS FOR DOUBLE GLAZED DOOR
KLO.KIT.99U4
page 62

STRIKE DETAILS
page 58 - page 59

THESE PRODUCTS CONTRIBUTE TO LEED® CREDITS

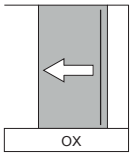
ALL DIMENSIONS IN THE CATALOG DRAWINGS ARE APPROXIMATIONS.
REQUEST THE APPROPRIATE TECHNICAL DRAWING BEFORE DOOR
PREPARATION AND INSTALLATION.

COMBINED NON
LOCKING page 51

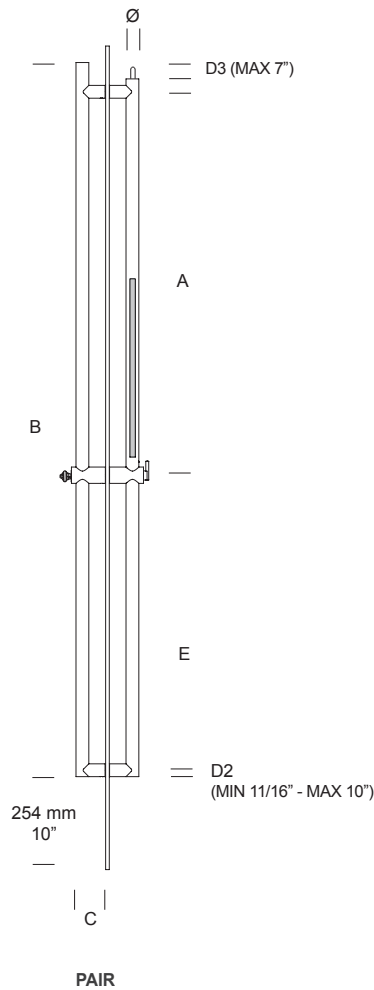
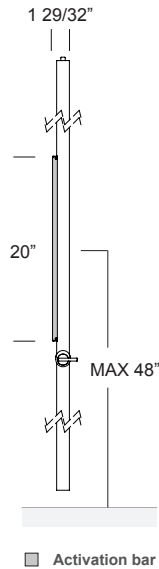
ITEM
KLA.0G4.99ZU



LOCKING
FULL SIZE



ADA
< 5 lbf



ADA
10"
clearance
l a y o u t

PATENT
PENDING
no.16/838612

CYLINDER NOT INCLUDED



RIM CYLINDER
WITH IC



RIM CYLINDER



INCLUDED:
ADA 1-3/16"
COMPLIANT
THUMBTURN



ON REQUEST:
ADA 3"
COMPLIANT
THUMBTURN

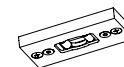
≈30 mm
1 31/16"



INCLUDED:
ADJUSTABLE
STEEL DEAD BOLT



INCLUDED:
STRIKE WITH
ROLLERS



ON REQUEST:
ADJUSTABLE TOP STRIKE
WITH ROLLERS

ON REQUEST:
CUSTOM STRIKE

PAIR



TOP
LOCKING

ITEM	A	B	C	D1	D2	D3	E	Ø
KLA.SS4.9ZU2. xx .1	custom	custom	85 mm 3 11/32"	custom	custom	custom	custom	37 mm 1 29/64"
<p>The additional support is necessary for A > 1371,6 mm - 54"</p> <p>Dimension (A + D1) MIN = 990,6 mm - 39"</p> <p>Dimension (E + D2) MIN = 178 mm - 7". Dimension E MIN = 160 mm</p> <p>Activation bar midpoint has to be at MAX 48" (1219,2 mm) above finish flo</p>								

Silver Bronze Black



.XX = FINISH CODE

SATIN ANODIZED ALUMINUM
.69 SILVER
.67 BRONZE
.68 BLACK

ACTIVATION BAR:
SILVER FOR BLACK PULL
BLACK FOR SILVER PULL
BLACK FOR BRONZE PULL
COLORS on request page 54
CAPS: polyamide-6 black with black anodized activation bar and
polyamide-6 grey with all the other activation bar anodized colors.

EDGE COMPONENT:
BLACK FOR BLACK AND BRONZE PULL
GREY FOR SILVER PULL



DOOR PREPARATION DP6
page 63

SPACERS FOR DOUBLE GLAZED DOOR
KLO.KIT.99U4
page 62

STRIKE DETAILS
page 58 - page 59

THESE PRODUCTS CONTRIBUTE TO LEED® CREDITS

ALL DIMENSIONS IN THE CATALOG DRAWINGS ARE APPROXIMATIONS.
REQUEST THE APPROPRIATE TECHNICAL DRAWING BEFORE DOOR
PREPARATION AND INSTALLATION.

BRAND OF COMPATIBLE RIM CYLINDER:

- ARROW
- CORBIN RUSSWIN
- MEDECO
- SCHLAGE
- BEST
- KABAILCO
- SARGENT
- YALE

COMBINED NON
LOCKING page 51

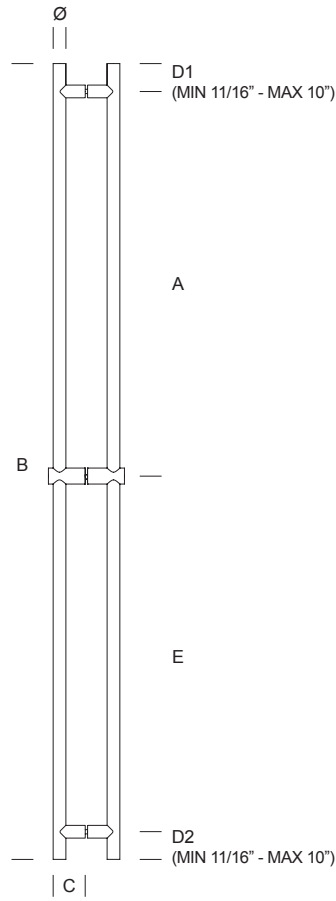
ITEM
KLA.0G4.99ZU



NON LOCKING LADDER PULL
FOR SWING AND SLIDING DOOR
STAINLESS STEEL 316L



NON LOCKING
FULL SIZE



BACK TO BACK FIXING KIT
ALWAYS INCLUDED
SUITABLE FOR GLASS /
WOOD / METAL DOOR

PAIR

PAIR	ITEM	A	B	C	D1	D2	E	Ø
	KLO.0G4.000U. xx	1050 mm 41 11/32"	2200 mm 86 5/8"	80 mm 3 1/8"	75 mm 2 15/16"	75 mm 2 15/16"	1000 mm 39 3/8"	35 mm 1 3/8"
	KLO.0G4.0U72. xx	custom	1828 mm 72"	80 mm 3 1/8"	custom	custom	custom	35 mm 1 3/8"
	KLO.0G4.0U84. xx	custom	2133 mm 84"	80 mm 3 1/8"	custom	custom	custom	35 mm 1 3/8"
	KLO.0G4.999U. xx	custom	custom	80 mm 3 1/8"	custom	custom	custom	35 mm 1 3/8"

.XX = FINISH CODE

- STAINLESS STEEL
- .43 BRIGHT STAINLESS STEEL (ANSI/BHMA 629 - USD32)
- .44 SATIN STAINLESS STEEL (ANSI/BHMA 630 - USD32D)



DOOR PREPARATION DP1
page 64

SPACERS FOR DOUBLE GLAZED DOOR
KLO.KIT.99U4
page 62

NON LOCKING TO MATCH PULL ON
page 26
page 27

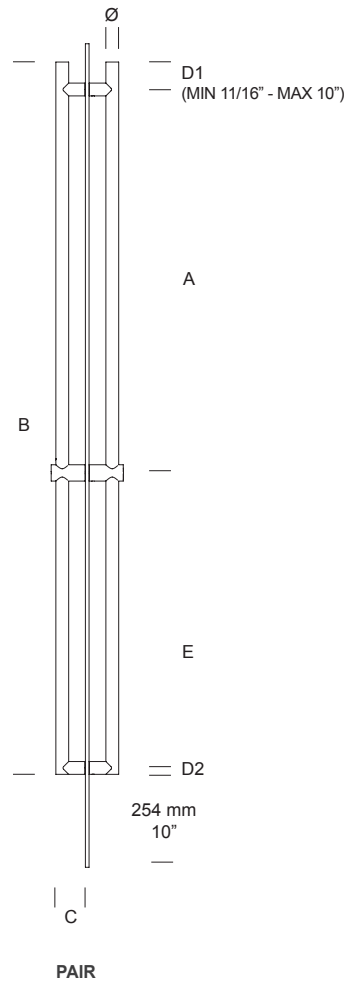
THESE PRODUCTS CONTRIBUTE TO LEED® CREDITS

ALL DIMENSIONS IN THE CATALOG DRAWINGS ARE APPROXIMATIONS.
REQUEST THE APPROPRIATE TECHNICAL DRAWING BEFORE DOOR
PREPARATION AND INSTALLATION.

NON LOCKING
FULL SIZE



BACK TO BACK FIXING KIT
ALWAYS INCLUDED
SUITABLE FOR GLASS /
WOOD / METAL DOOR



PAIR

PAIR	ITEM	A	B	C	D1	D2	E	Ø
	KLO.0G4.00RU. xx	1050 mm 41 11/32"	1945 mm 76 9/16"	80 mm 3 1/8"	75 mm 2 15/16"	17,5 mm 11/16"	802 mm 31 9/16"	35 mm 1 3/8"
	KLO.0G4.RU72. xx	custom	1828 mm 72"	80 mm 3 1/8"	custom	17,5 mm 11/16"	custom	35 mm 1 3/8"
	KLO.0G4.99RU. xx	custom	custom	80 mm 3 1/8"	custom	17,5 mm 11/16"	custom	35 mm 1 3/8"

.XX = FINISH CODE

- .43 BRIGHT STAINLESS STEEL (ANSI/BHMA 629 - USD32)
- .44 SATIN STAINLESS STEEL (ANSI/BHMA 630 - USD32D)



DOOR PREPARATION DP1
page 64

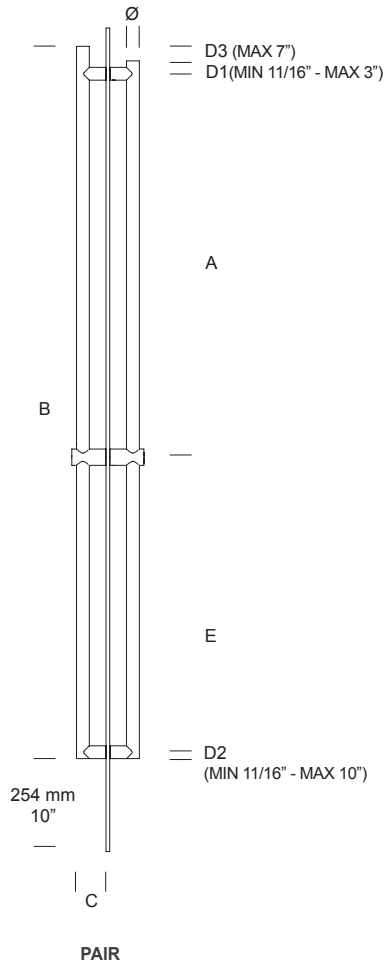
SPACERS FOR DOUBLE GLAZED DOOR
KLO.KIT.99U4
page 62

NON LOCKING TO MATCH PULL ON
page 12
page 19
page 28
page 29

THESE PRODUCTS CONTRIBUTE TO LEED® CREDITS

ALL DIMENSIONS IN THE CATALOG DRAWINGS ARE APPROXIMATIONS.
REQUEST THE APPROPRIATE TECHNICAL DRAWING BEFORE DOOR
PREPARATION AND INSTALLATION.

NON LOCKING
FULL SIZE



BACK TO BACK FIXING KIT
ALWAYS INCLUDED
SUITABLE FOR GLASS /
WOOD / METAL DOOR

PAIR	ITEM	A	B	C	D1	D2	D3	E	Ø
	KLO.0G4.99ZU. xx	custom	custom	80 mm 3 1/8"	custom	custom	custom	custom	35 mm 1 3/8"

.XX = FINISH CODE

- STAINLESS STEEL
- .43 BRIGHT STAINLESS STEEL (ANSI/BHMA 629 - USD32)
- .44 SATIN STAINLESS STEEL (ANSI/BHMA 630 - USD32D)



DOOR PREPARATION DP1
page 64

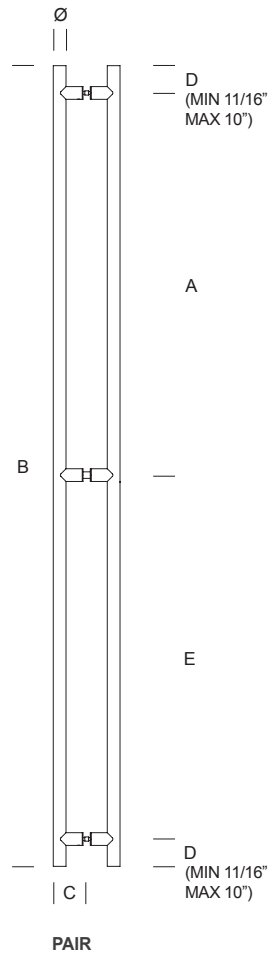
SPACERS FOR DOUBLE GLAZED DOOR
KLO.KIT.99U4
page 62

NON LOCKING TO MATCH PULL ON
page 13
page 20
page 30
page 31
page 32
page 33

THESE PRODUCTS CONTRIBUTE TO LEED® CREDITS

ALL DIMENSIONS IN THE CATALOG DRAWINGS ARE APPROXIMATIONS.
REQUEST THE APPROPRIATE TECHNICAL DRAWING BEFORE DOOR
PREPARATION AND INSTALLATION.

UNIVERSAL
NON LOCKING
FULL SIZE



PAIR

PAIR	ITEM	A	B	C	D	E	Ø
	KLO.0G4.0000. xx	1050 mm 41 11/32"	2200 mm 86 5/8"	80 mm 3 1/8"	75 mm 2 15/16"	1000 mm 39 3/8"	35 mm 1 3/8"
	KLO.0G4.0072. xx	custom	1828 mm 72"	80 mm 3 1/8"	custom	custom	35 mm 1 3/8"
	KLO.0G4.0084. xx	custom	2133 mm 84"	80 mm 3 1/8"	custom	custom	35 mm 1 3/8"
	KLO.0G4.9999. xx	custom	custom	80 mm 3 1/8"	custom	custom	35 mm 1 3/8"

.XX = FINISH CODE

- STAINLESS STEEL
- .43 BRIGHT STAINLESS STEEL (ANSI/BHMA 629 - USD32)
- .44 SATIN STAINLESS STEEL (ANSI/BHMA 630 - USD32D)



Declare.

DOOR PREPARATION DP4
(UNIVERSAL NO LOCKING FULL SIZE)
page 65

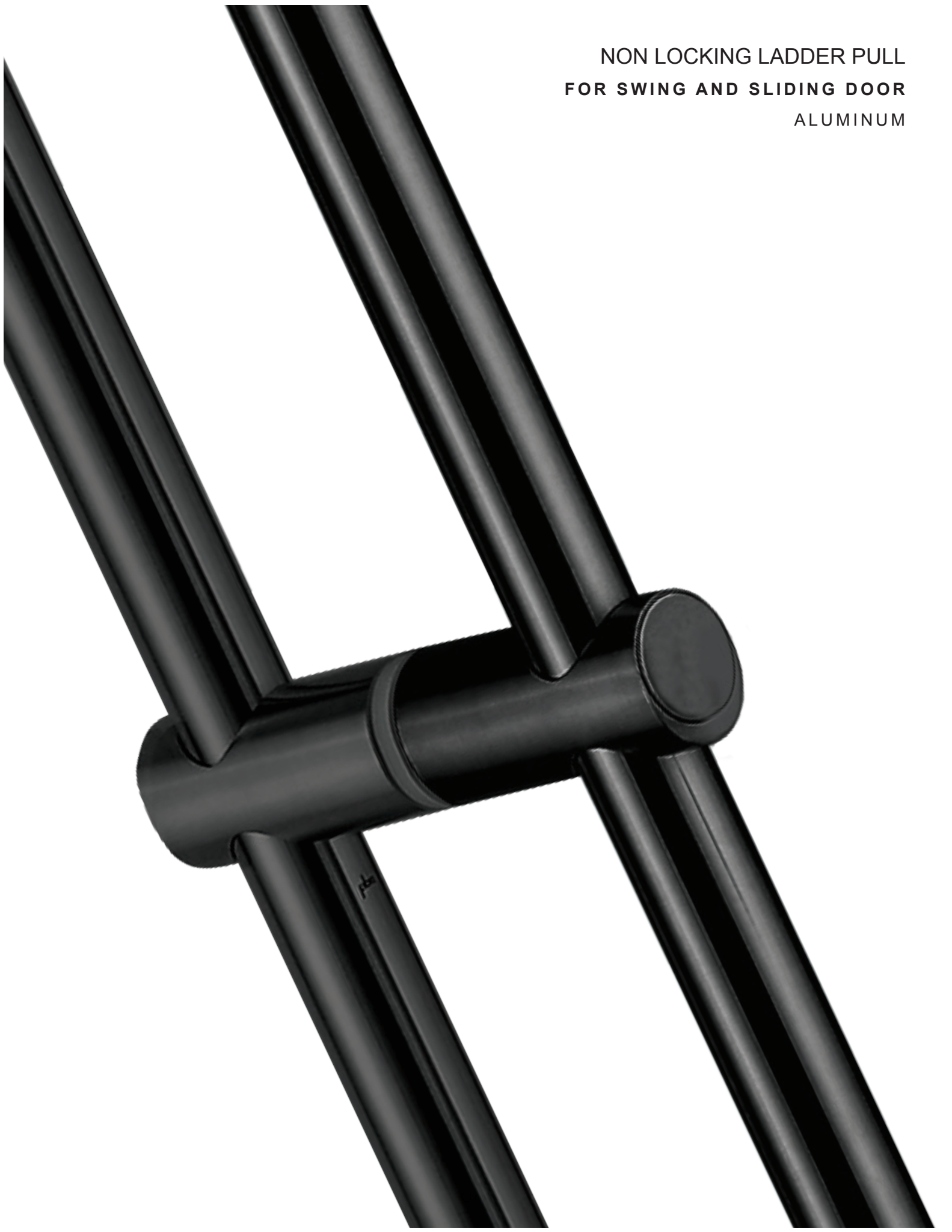
SPACERS FOR DOUBLE GLAZED DOOR
2CC.KIT.0010 (UNIVERSAL NO LOCKING FULL SIZE)
page 62

BACK TO BACK FIXING KIT ALWAYS INCLUDED
SUITABLE FOR GLASS / WOOD / METAL DOOR

THESE PRODUCTS CONTRIBUTE TO LEED® CREDITS

ALL DIMENSIONS IN THE CATALOG DRAWINGS ARE APPROXIMATIONS.
REQUEST THE APPROPRIATE TECHNICAL DRAWING BEFORE DOOR
PREPARATION AND INSTALLATION.

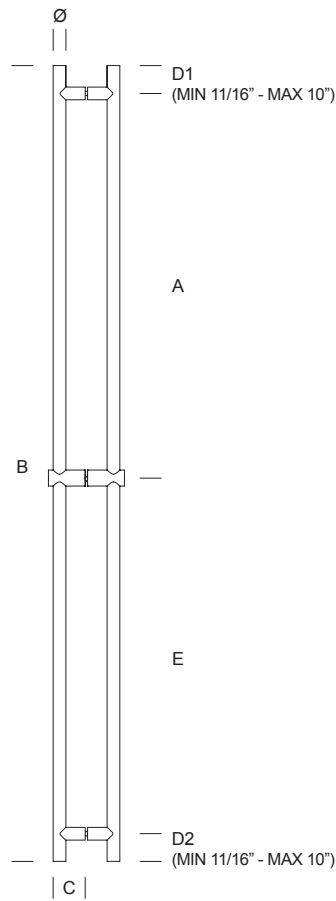
NON LOCKING LADDER PULL
FOR SWING AND SLIDING DOOR
ALUMINUM



NON LOCKING
FULL SIZE



BACK TO BACK FIXING KIT
ALWAYS INCLUDED
SUITABLE FOR GLASS /
WOOD / METAL DOOR



PAIR

PAIR	ITEM	A	B	C	D1	D2	E	\emptyset
	KLA.0G4.000U. xx	1050 mm 41 11/32"	2200 mm 86 5/8"	85 mm 3 11/32"	75 mm 2 15/16"	75 mm 2 15/16"	1000 mm 39 3/8"	37 mm 1 29/64"
	KLA.0G4.0U72. xx	custom	1828 mm 72"	85 mm 3 11/32"	custom	custom	custom	37 mm 1 29/64"
	KLA.0G4.0U84. xx	custom	2133 mm 84"	85 mm 3 11/32"	custom	custom	custom	37 mm 1 29/64"
	KLA.0G4.999U. xx	custom	custom	85 mm 3 11/32"	custom	custom	custom	37 mm 1 29/64"

Silver Bronze Black



.XX = FINISH CODE

- .69 SATIN ANODIZED ALUMINUM
- .69 SILVER
- .67 BRONZE
- .68 BLACK

EDGE COMPONENT:
BLACK FOR BLACK AND BRONZE PULL
GREY FOR SILVER PULL



Declare.

DOOR PREPARATION DP1
page 64

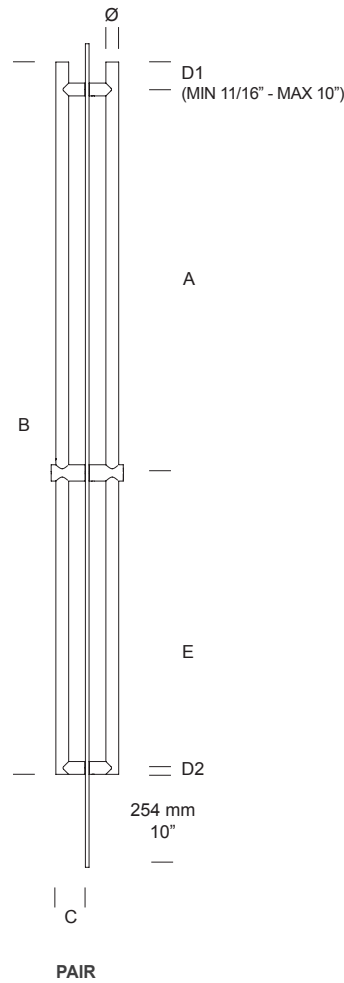
SPACERS FOR DOUBLE GLAZED DOOR
KLO.KIT.99U4
page 62

NON LOCKING TO MATCH PULL ON
page 35
page 36

THESE PRODUCTS CONTRIBUTE TO LEED® CREDITS

ALL DIMENSIONS IN THE CATALOG DRAWINGS ARE APPROXIMATIONS.
REQUEST THE APPROPRIATE TECHNICAL DRAWING BEFORE DOOR
PREPARATION AND INSTALLATION.

NON LOCKING
FULL SIZE



BACK TO BACK FIXING KIT
ALWAYS INCLUDED
SUITABLE FOR GLASS /
WOOD / METAL DOOR

PAIR	ITEM	A	B	C	D1	D2	E	Ø
	KLA.0G4.00RU. xx	1050 mm 41 11/32"	1945 mm 76 9/16"	85 mm 3 11/32"	75 mm 2 15/16"	17,5 mm 11/16"	802 mm 31 9/16"	37 mm 1 29/64"
	KLA.0G4.RU72. xx	custom	1828 mm 72"	85 mm 3 11/32"	custom	17,5 mm 11/16"	custom	37 mm 1 29/64"
	KLA.0G4.99RU. xx	custom	custom	85 mm 3 11/32"	custom	17,5 mm 11/16"	custom	37 mm 1 29/64"

Silver Bronze Black



.XX = FINISH CODE

SATIN ANODIZED ALUMINUM
.69 SILVER
.67 BRONZE
.68 BLACK

EDGE COMPONENT:
BLACK FOR BLACK AND BRONZE PULL
GREY FOR SILVER PULL



DOOR PREPARATION DP1
page 64

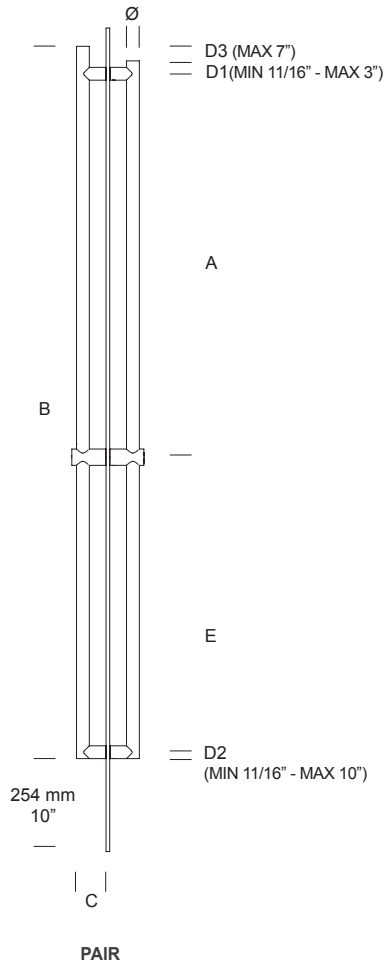
SPACERS FOR DOUBLE GLAZED DOOR
KLO.KIT.99U4
page 62

NON LOCKING TO MATCH PULL ON
page 15
page 22
page 37
page 38

THESE PRODUCTS CONTRIBUTE TO LEED® CREDITS

ALL DIMENSIONS IN THE CATALOG DRAWINGS ARE APPROXIMATIONS.
REQUEST THE APPROPRIATE TECHNICAL DRAWING BEFORE DOOR
PREPARATION AND INSTALLATION.

NON LOCKING
FULL SIZE



BACK TO BACK FIXING KIT
ALWAYS INCLUDED
SUITABLE FOR GLASS /
WOOD / METAL DOOR

PAIR	ITEM	A	B	C	D1	D2	D3	E	Ø
	KLA.0G4.99ZU. xx	custom	custom	85 mm 3 11/32"	custom	custom	custom	custom	37 mm 1 29/64"

Silver Bronze Black



.XX = FINISH CODE

- .69 SATIN ANODIZED ALUMINUM
- .69 SILVER
- .67 BRONZE
- .68 BLACK

EDGE COMPONENT:
BLACK FOR BLACK AND BRONZE PULL
GREY FOR SILVER PULL



DOOR PREPARATION DP1
page 64

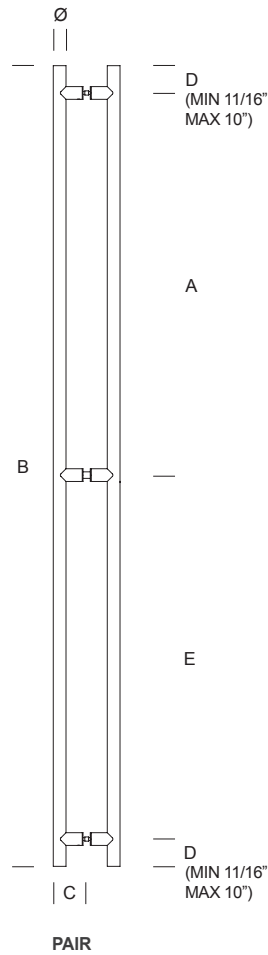
SPACERS FOR DOUBLE GLAZED DOOR
KLO.KIT.99U4
page 62

NON LOCKING TO MATCH PULL ON
page 16
page 23
page 39
page 40
page 41
page 42

THESE PRODUCTS CONTRIBUTE TO LEED® CREDITS

ALL DIMENSIONS IN THE CATALOG DRAWINGS ARE APPROXIMATIONS.
REQUEST THE APPROPRIATE TECHNICAL DRAWING BEFORE DOOR
PREPARATION AND INSTALLATION.

UNIVERSAL
NON LOCKING
FULL SIZE



PAIR	ITEM	A	B	C	D	E	Ø
	KLA.0G4.0000. xx	1050 mm 41 11/32"	2200 mm 86 5/8"	85 mm 3 11/32"	75 mm 2 15/16"	1000 mm 39 3/8"	37 mm 1 29/64"
	KLA.0G4.0072. xx	custom	1828 mm 72"	85 mm 3 11/32"	custom	custom	37 mm 1 29/64"
	KLA.0G4.0084. xx	custom	2133 mm 84"	85 mm 3 11/32"	custom	custom	37 mm 1 29/64"
	KLA.0G4.9999. xx	custom	custom	85 mm 3 11/32"	custom	custom	37 mm 1 29/64"

Silver Bronze Black



.XX = FINISH CODE

SATIN ANODIZED ALUMINUM
.69 SILVER
.67 BRONZE
.68 BLACK

EDGE COMPONENT:
BLACK FOR BLACK AND BRONZE PULL
GREY FOR SILVER PULL



DOOR PREPARATION DP4
(UNIVERSAL NO LOCKING FULL SIZE)
page 65

SPACERS FOR DOUBLE GLAZED DOOR
2AT.KIT.9910 (UNIVERSAL NO LOCKING FULL SIZE)
page 62

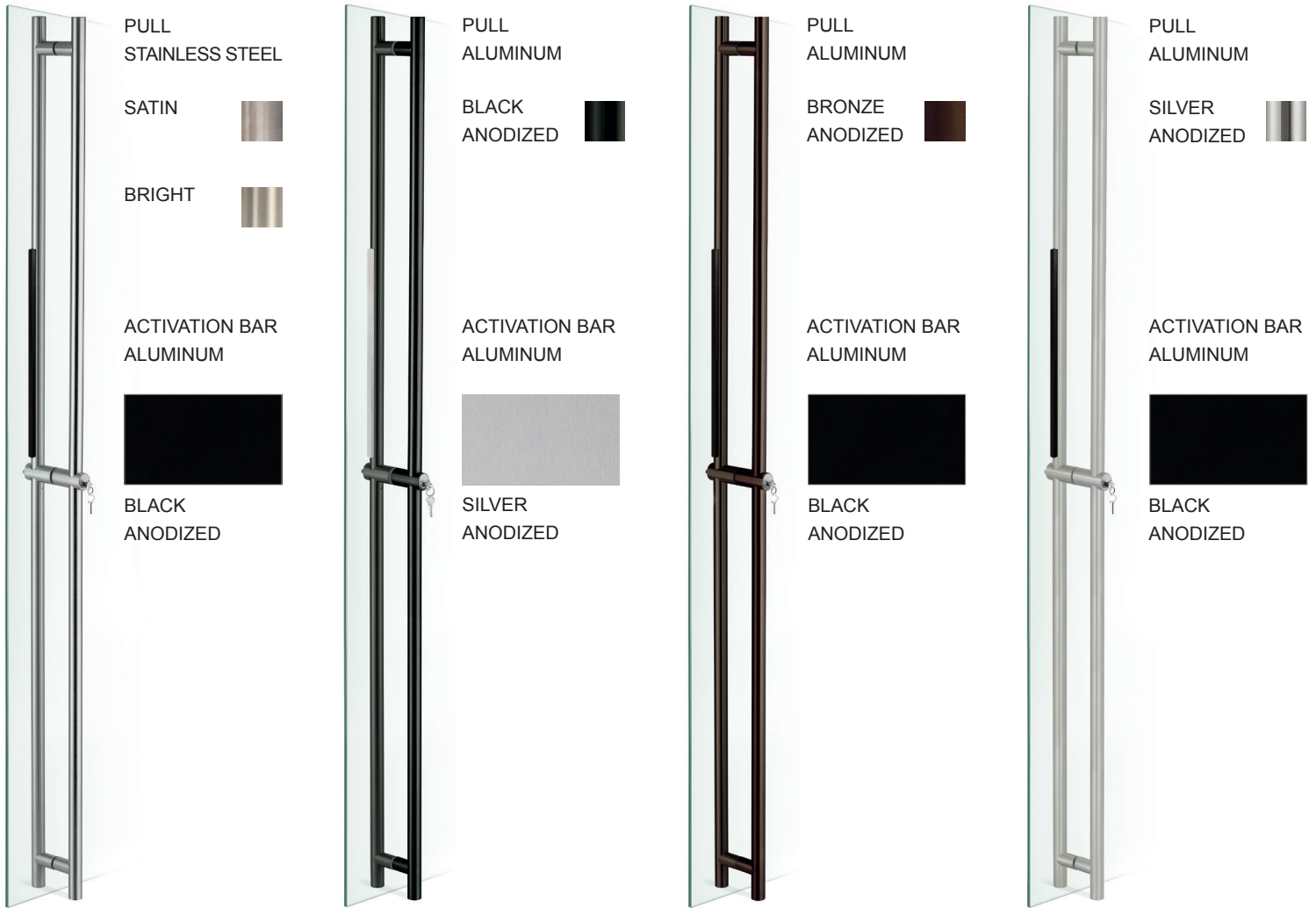
BACK TO BACK FIXING KIT ALWAYS INCLUDED
SUITABLE FOR GLASS / WOOD / METAL DOOR

THESE PRODUCTS CONTRIBUTE TO LEED® CREDITS

ALL DIMENSIONS IN THE CATALOG DRAWINGS ARE APPROXIMATIONS.
REQUEST THE APPROPRIATE TECHNICAL DRAWING BEFORE DOOR
PREPARATION AND INSTALLATION.

TECHNICAL INFORMATION

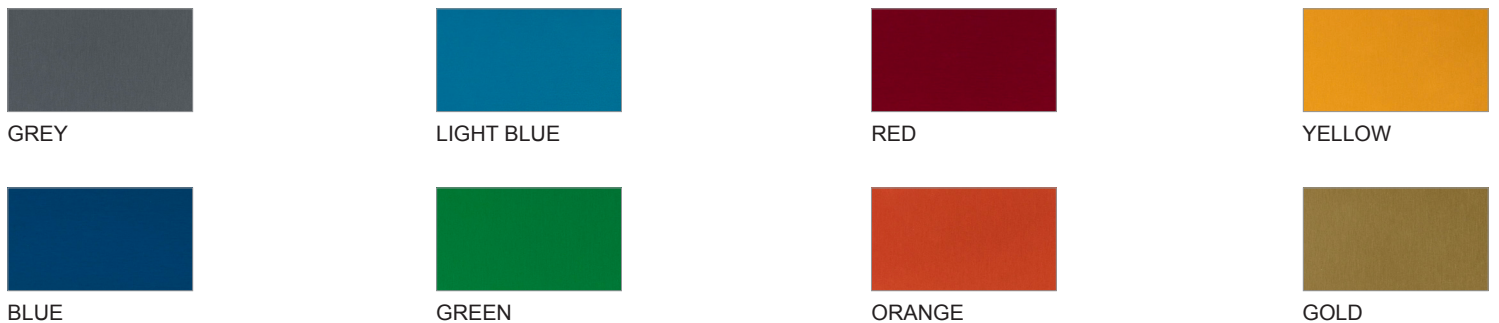
ACTIVATION BAR



With the door latched, the activation bar is operated by a force lower than 5 lbf (22N) until the locking bolt is completely retracted (ADA 309.4 – OPERABLE PARTS and ANSI/BHMA A 156.3 ref. 8.2.1).

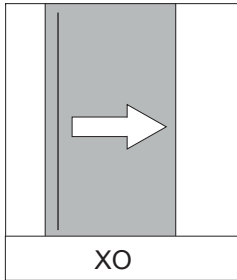
Activation bar caps: polyamide-6 black with black anodized activation bar and polyamide-6 grey with all the other activation bar anodized colors.

ACTIVATION BAR: SPECIAL ALUMINUM ANODIZED COLORS



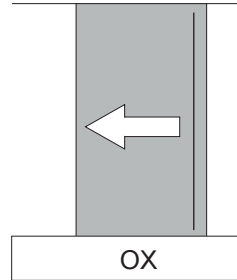
SLIDING DOOR HANDING

“HANDEDNESS” OF A SLIDING DOOR IS EXPRESSED AS SEEN BY AN OBSERVER OUTSIDE THE BUILDING. A LEFT-HANDED DOOR OPENS ON THE LEFT SIDE, AND A RIGHT-HANDED DOOR OPENS ON THE RIGHT. THESE RELATIONSHIPS ARE SOMETIMES DESCRIBED WITH THE LETTERS **O** AND **X**, WHERE **O** IS THE FIXED PANEL AND **X** IS THE SLIDING PANEL.



LEFT HANDED

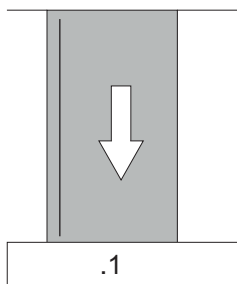
LEFT PANEL SLIDES RIGHT



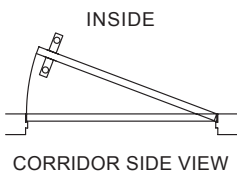
RIGHT HANDED

RIGHT PANEL SLIDES LEFT

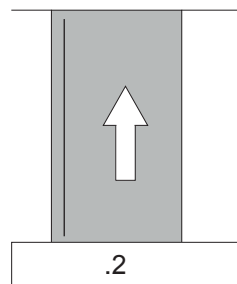
SWING DOOR



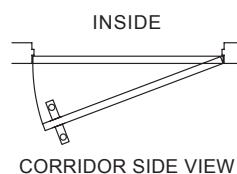
SWING - PULL



PULL TO EXIT (room side)
PUSH TO ENTER (corridor side)



SWING - PUSH

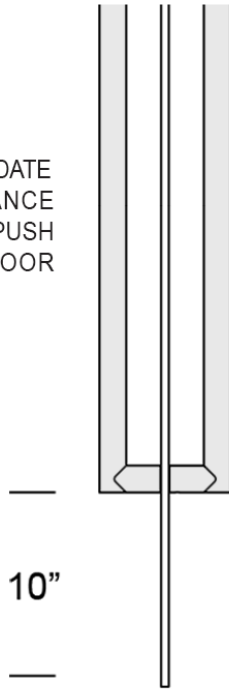


PUSH TO EXIT (room side)
PULL TO ENTER (corridor side)

CONFIGURATION TO COMPLY WITH ADA STANDARD

A D A
10"
clearance
l a y o u t

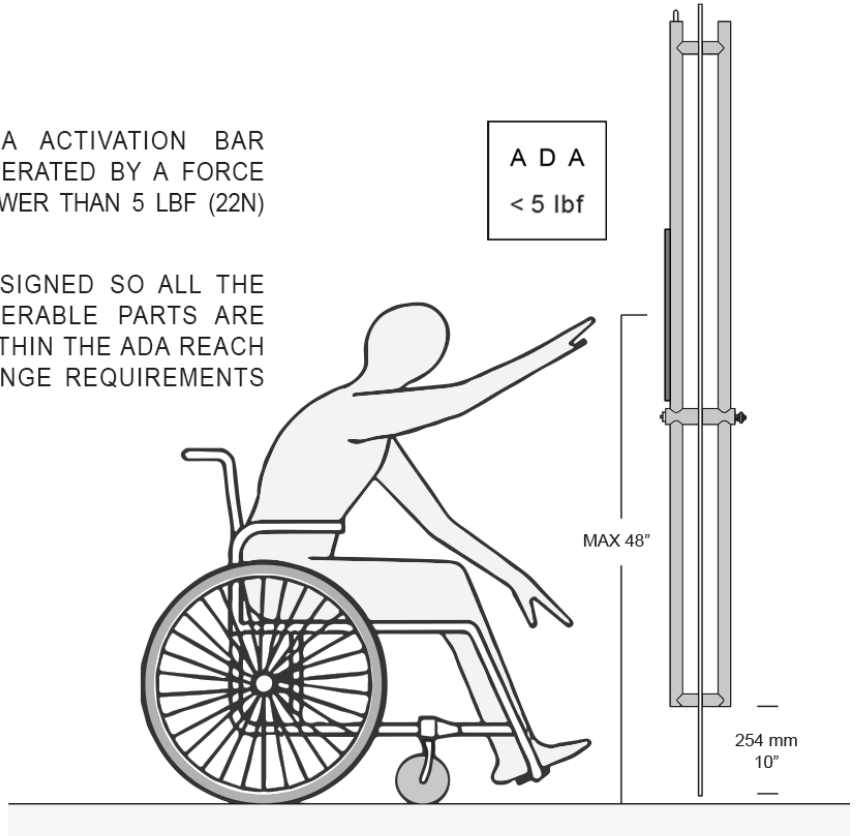
DESIGNED TO ACCOMMODATE THE ADA 10" CLEARANCE REQUIREMENT AT THE PUSH SIDE OF A SWING DOOR



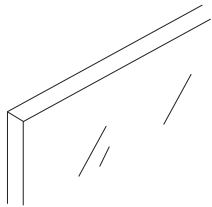
ADA ACTIVATION BAR OPERATED BY A FORCE LOWER THAN 5 LBF (22N)

A D A
< 5 lbf

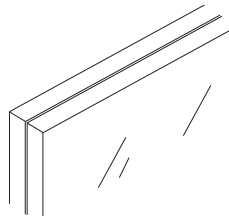
DESIGNED SO ALL THE OPERABLE PARTS ARE WITHIN THE ADA REACH RANGE REQUIREMENTS



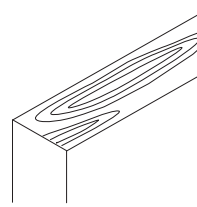
INSTALLATION ON ANY TYPE OF MATERIAL



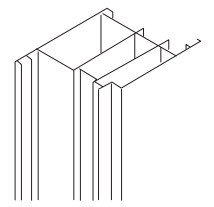
GLASS DOORS



DOUBLE GLAZED DOORS



WOOD DOORS



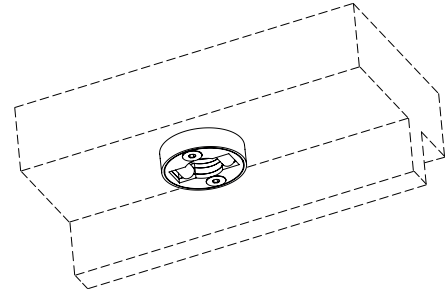
METAL DOORS

MANDATORY STRIKE PLATE WITH ROLLER (INCLUDED)

TO ENSURE PROPER OPERATION, THE SINGLE MOTION UNLOCKING DOOR PULL SHOULD BE USED WITH THE pba "ROLLER" STRIKE PLATE SHIPPED WITH THE PRODUCT. THE pba STRIKE PLATE SHOULD BE REVIEWED AND APPROVED BY THE DESIGN TEAM FOR USE WITH THE INTENDED DEMOUNTABLE PARTITION SYSTEM. WHEN REQUIRED, CUSTOM STRIKE PLATES ARE AVAILABLE TO ADAPT THE PULL TO VIRTUALLY ANY DEMOUNTABLE PARTITION SYSTEM. CONTACT PBA FOR MORE INFORMATION.

STANDARD:

STANDARD STRIKE WITH ROLLERS INCLUDED



KLO.SKI.0001.44:

STANDARD STRIKE PLATE WITH ROLLERS FOR STAINLESS STEEL AND SILVER ANODIZED ALUMINUM SINGLE MOTION UNLOCKING DOOR PULL

KLO.SKI.0001.40:

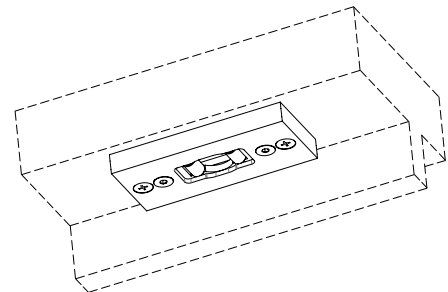
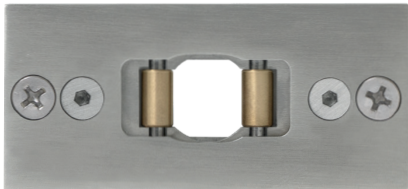
STANDARD STRIKE PLATE WITH ROLLERS FOR BLACK ANODIZED ALUMINUM SINGLE MOTION UNLOCKING DOOR PULL

KLO.SKI.0001.39:

STANDARD STRIKE PLATE WITH ROLLERS FOR BRONZE ANODIZED ALUMINUM SINGLE MOTION UNLOCKING DOOR PULL

ON REQUEST:

ADJUSTABLE TOP STRIKE WITH ROLLERS

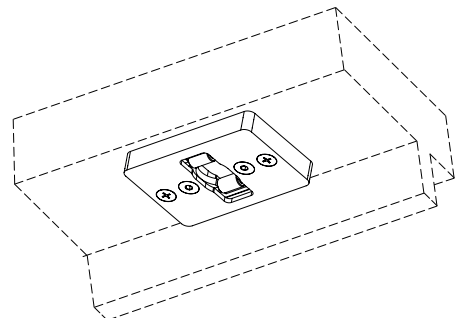
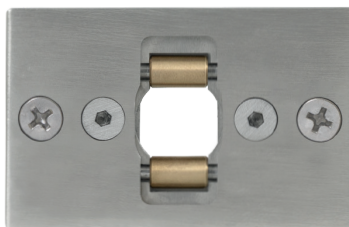


KLO.SKI.0002.44:

ADJUSTABLE STRIKE PLATE WITH ROLLERS FOR SLIDING DOORS

ON REQUEST:

ADJUSTABLE TOP STRIKE WITH ROLLERS

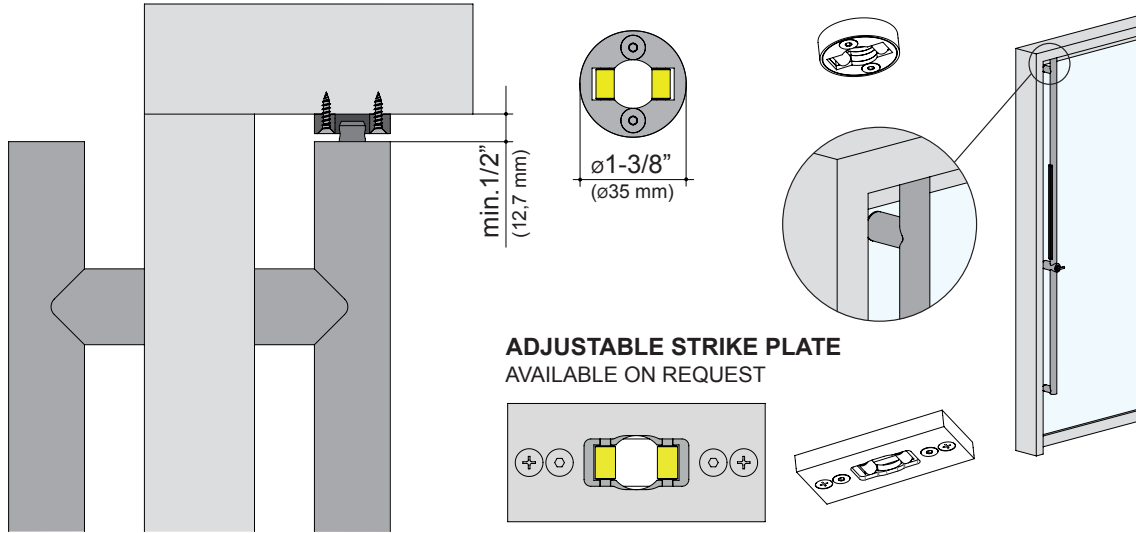


KLO.SKI.0005.44:

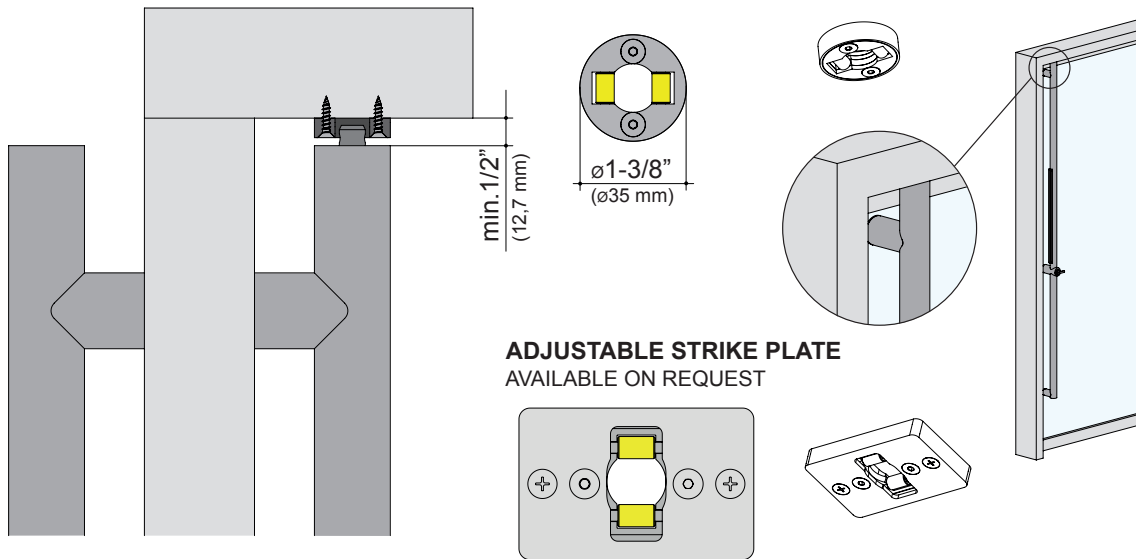
ADJUSTABLE STRIKE PLATE WITH ROLLERS FOR SWING DOORS

STRIKE OPTIONS FOR TOP LOCKING PULLS

STANDARD STRIKE PLATE FOR SLIDING DOORS INCLUDED



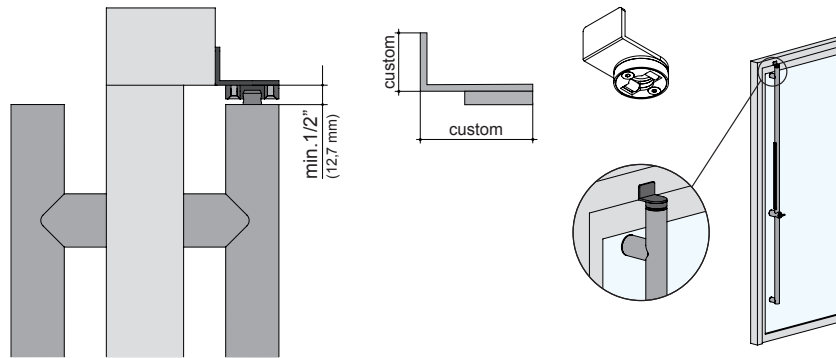
STANDARD STRIKE PLATE FOR SWING DOORS INCLUDED



STRIKE OPTIONS FOR TOP LOCKING PULLS

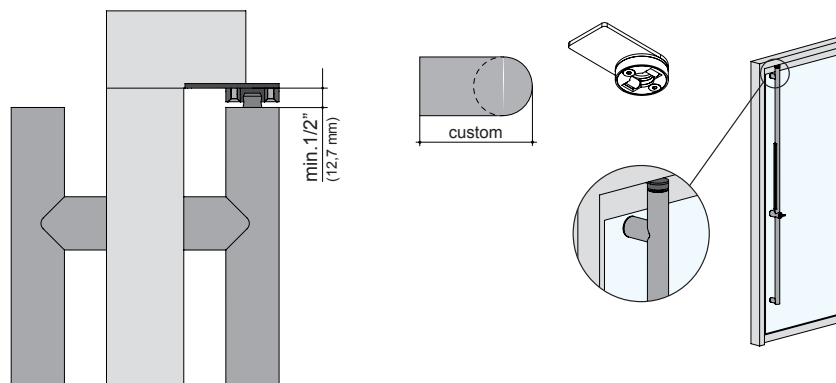
CUSTOM "L" STRIKE
ON REQUEST

KLO.SKI.9993



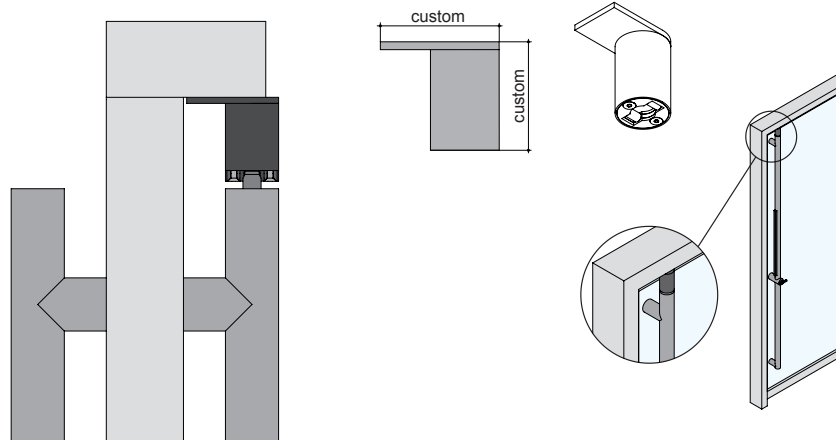
CUSTOM STRAIGHT STRIKE
ON REQUEST

KLO.SKI.9994



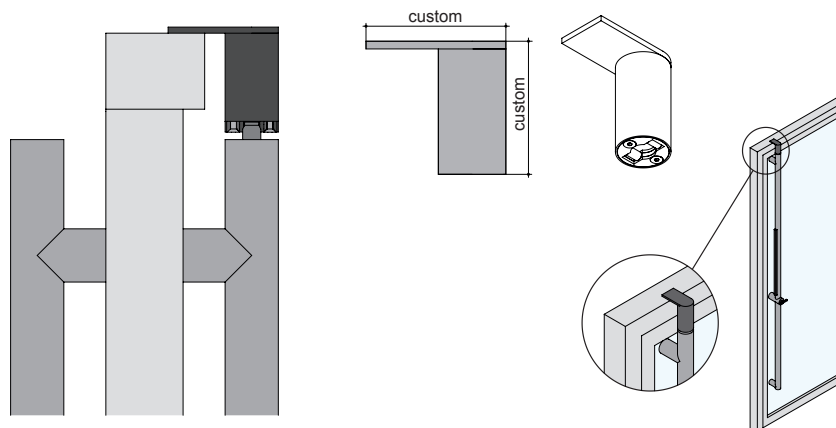
CUSTOM STRAIGHT TUBULAR STRIKE
ON REQUEST

Frame Installation



CUSTOM STRAIGHT TUBULAR STRIKE
ON REQUEST

Ceiling Installation

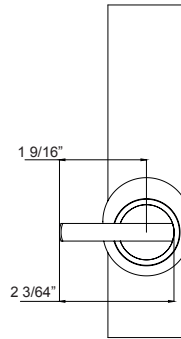


ADA COMPLIANT THUMBTURN

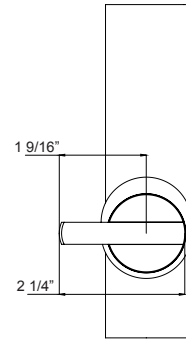
STANDARD:
ADA 1-9/16" COMPLIANT THUMBTURN



STANDARD
STAINLESS STEEL



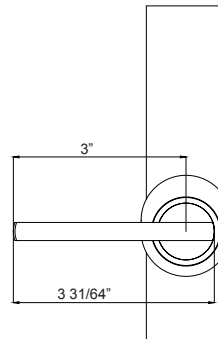
ALUMINUM



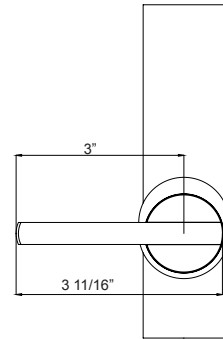
ON REQUEST:
ADA 3" COMPLIANT THUMBTURN



ON REQUEST
STAINLESS STEEL



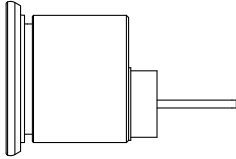
ALUMINUM



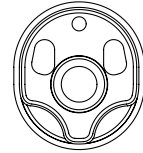
AVAILABLE IN STAINLESS
STEEL AND ANODIZED
ALUMINUM

CYLINDER OPTIONS

RIM CYLINDERS - FOR STAINLESS STEEL AND ALUMINUM LOCKING LADDER PULLS



PBA UNIVERSAL BACKPLATE INCLUDED WITH LOCKING PULL
 ALLOWS TO ACCOMMODATE ANY RIM CYLINDER BRAND OR FORMAT



AVAILABLE FORMATS:



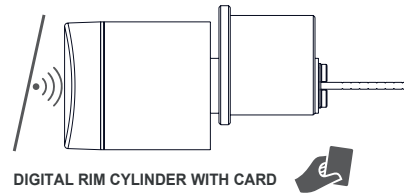
CONVENTIONAL



HOUSING FOR SFIC



HOUSING FOR LFIC



DIGITAL RIM CYLINDER WITH CARD

CONVENTIONAL RIM CYLINDER

CIL.RIM.0001.00
 ILCO RIM CYLINDER

OTHER BRANDS AVAILABLE ON REQUEST:
 ARROW - CORBIN RUSSWIN - KABA - MEDECO - SCHLAGE - SARGENT - YALE



HOUSING FOR SFIC

CIL.HOU.RS01.00
 SCHLAGE SFIC RIM HOUSING

OTHER BRANDS AVAILABLE ON REQUEST:
 ARROW - CORBIN RUSSWIN - KABA - ILCO - MEDECO - SARGENT - YALE



HOUSING FOR LFIC

CIL.HOU.RL01.00
 SCHLAGE FSIC RIM HOUSING

OTHER BRANDS AVAILABLE ON REQUEST:
 ARROW - CORBIN RUSSWIN - KABA - ILCO - MEDECO - SARGENT - YALE



CORE FOR SFIC HOUSING AND FSIC HOUSING

BRAND OF COMPATIBLE CORE FOR SFIC AND LFIC ON REQUEST:
 ARROW - CORBIN RUSSWIN - KABA - ILCO - MEDECO - SCHLAGE - SARGENT - YALE

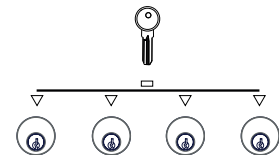
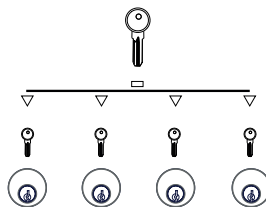
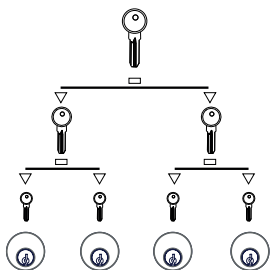


DIGITAL RIM CYLINDER WITH CARD

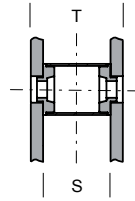
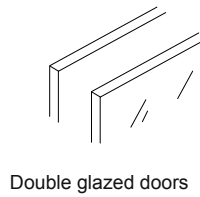
SUGGESTED BRAND:
 SALTO Neo
 SALTO Geo



SPECIAL APPLICATION WITH KEY SYSTEM ON REQUEST



SPACERS FOR DOUBLE GLAZED DOOR

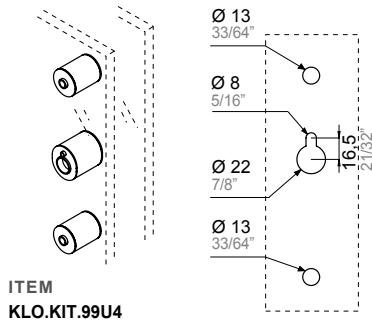


T = custom
S = custom

OVAL + ROUND SPACERS

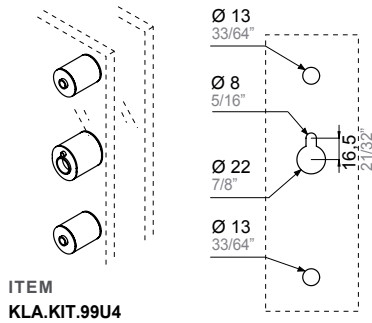
KLO LINE RIM - SPACERS FOR STAINLESS STEEL Ø35 LOCKING AND NON LOCKING PULLS

1 OVAL POST (CENTER) + 2 Ø35 ROUND POSTS (TOP/BOTTOM)



KLA LINE RIM - SPACERS FOR ALUMINIUM Ø37 LOCKING AND NON LOCKING PULLS

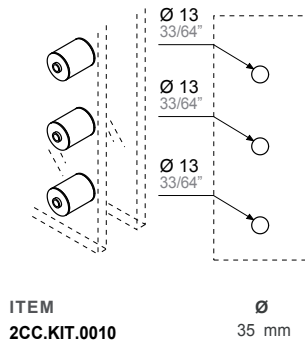
1 OVAL POST (CENTER) + 2 Ø35 ROUND POSTS (TOP/BOTTOM)



ROUND SPACERS

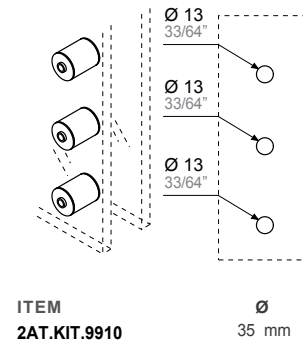
SPACERS FOR STAINLESS STEEL NON LOCKING PULLS

3 ROUND POSTS



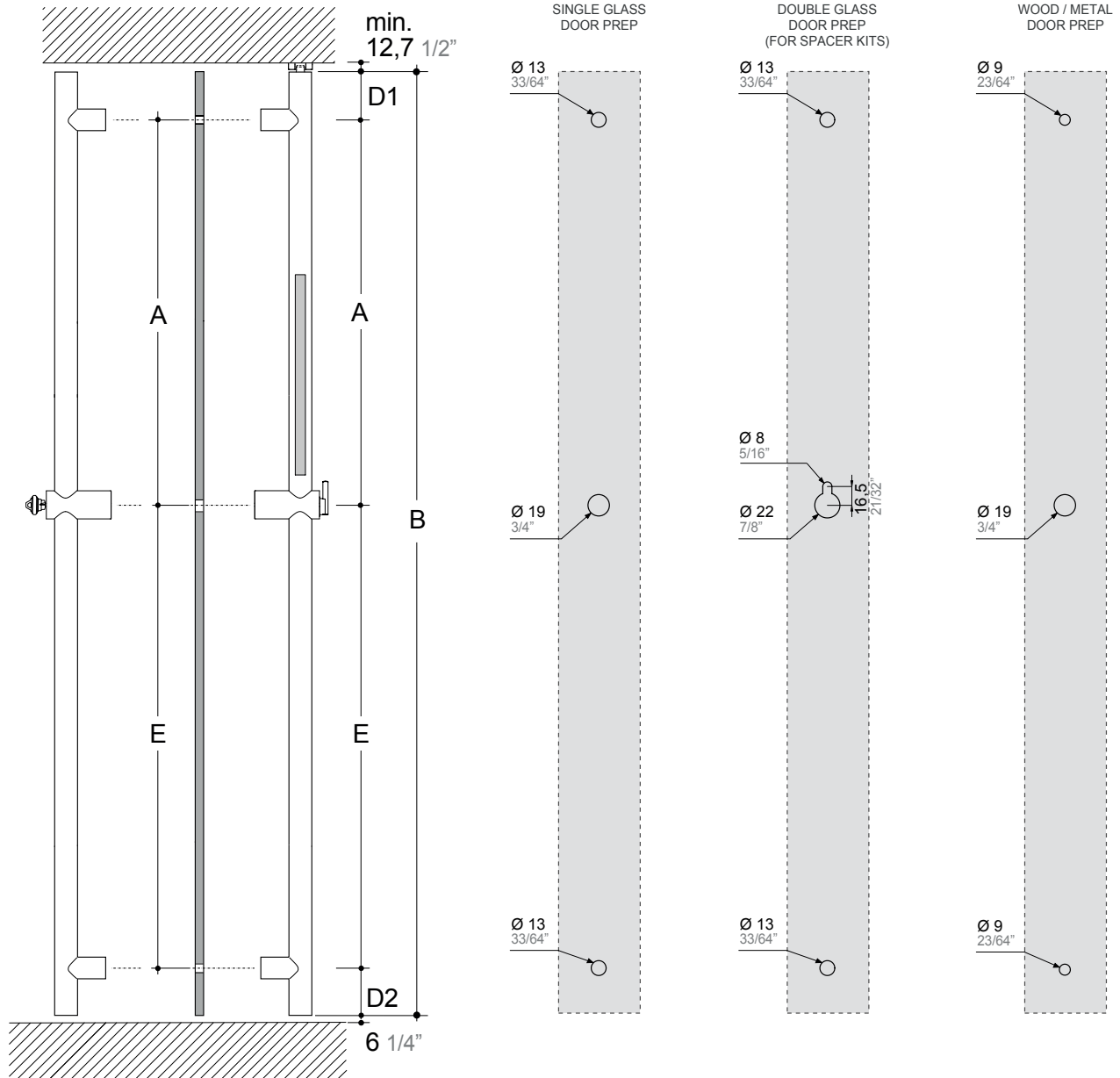
SPACERS FOR ALUMINIUM NON LOCKING PULLS

3 ROUND POSTS



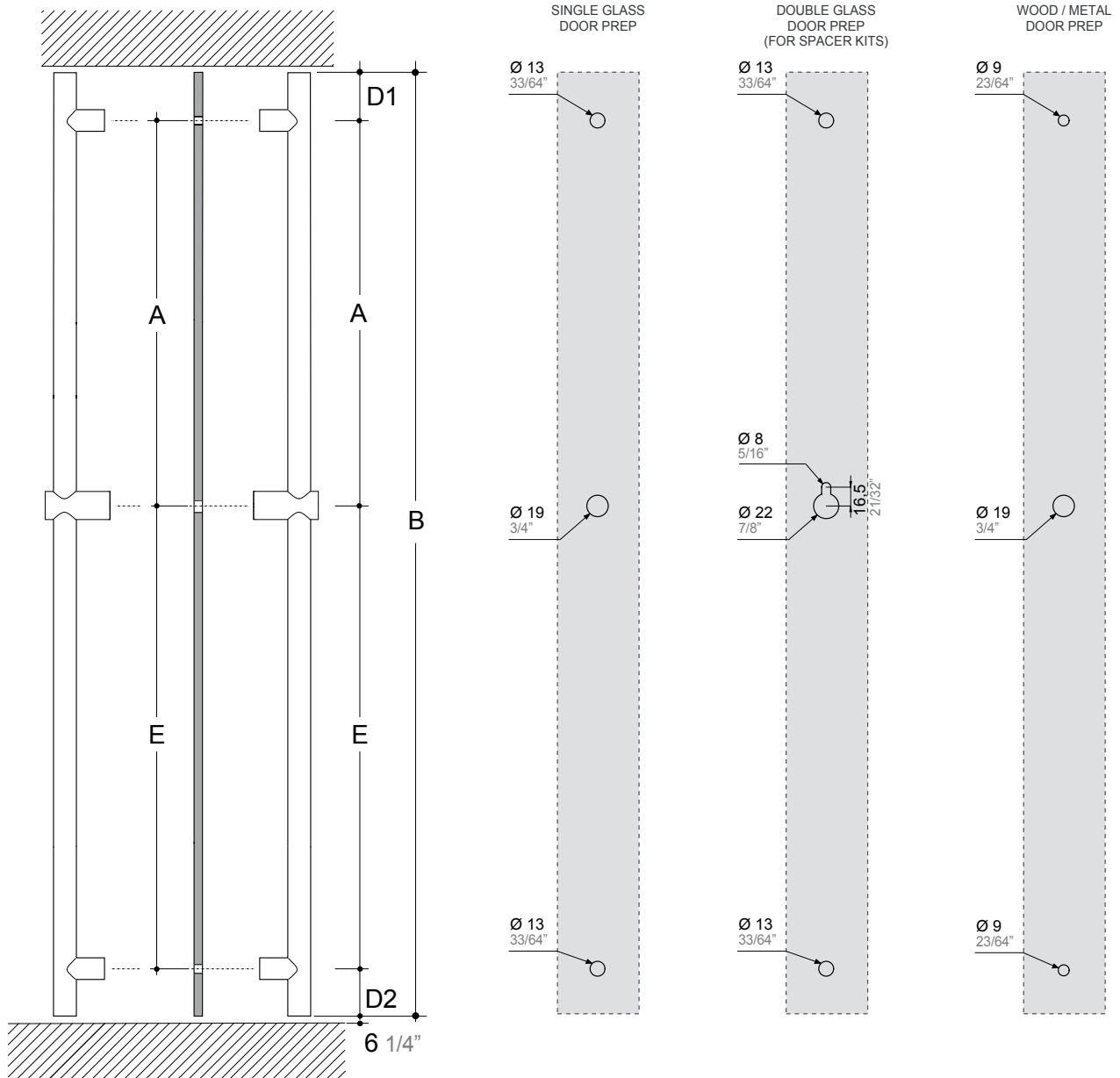
DP6 - DOOR PREPARATION FOR FULL SIZE SINGLE-MOTION UNLOCKING DOOR PULLS (KLO - KLA)

HOLES DIAMETERS AND CENTER TO CENTER SIZES



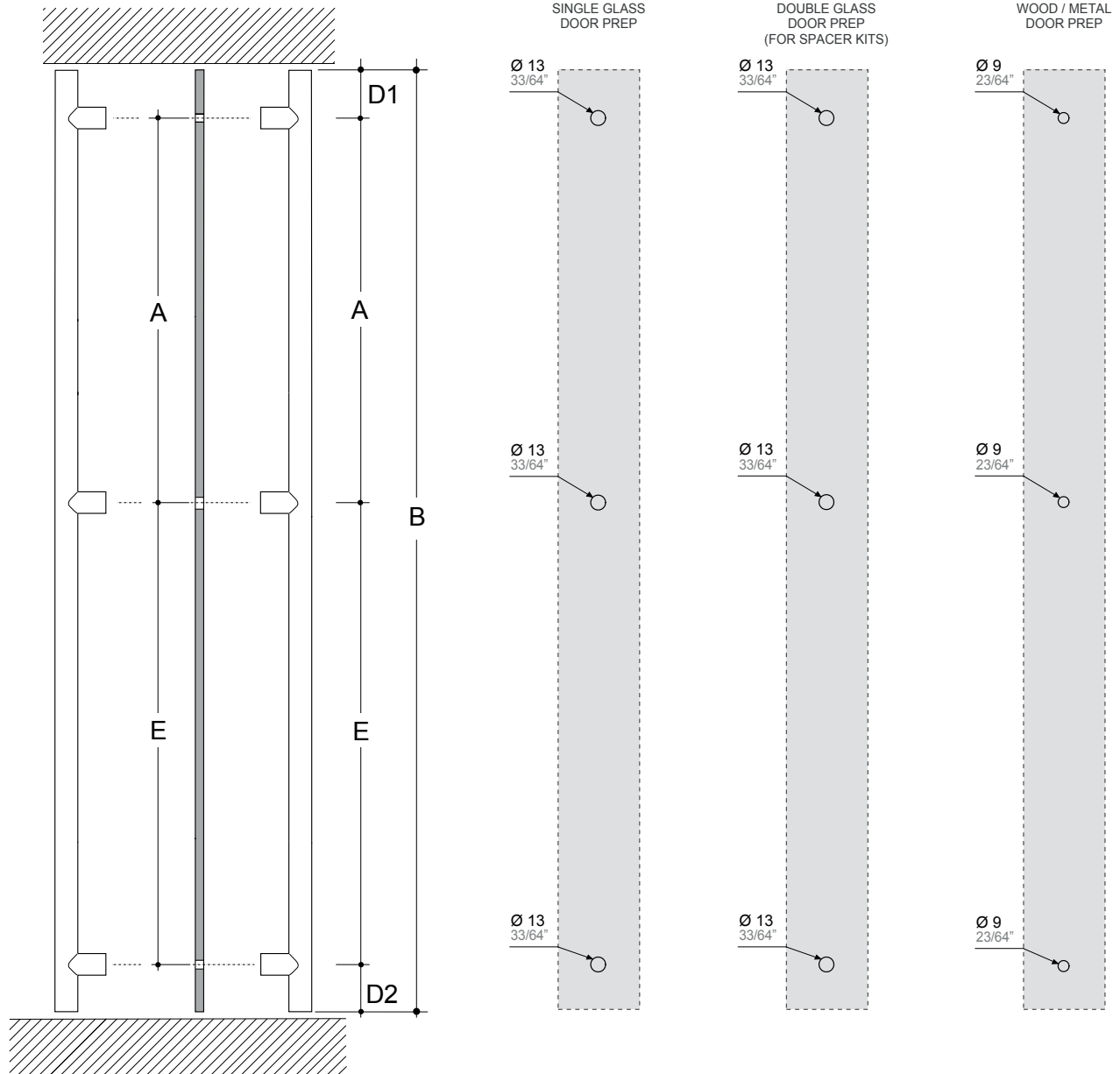
DP1 - DOOR PREPARATION FOR FULL SIZE LADDER PULLS NON LOCKING (KLO - KLA)

HOLES DIAMETERS AND CENTER TO CENTER SIZES



DP4 - DOOR PREPARATION FOR FULL SIZE LADDER PULLS NON LOCKING (ONLY ROUND POSTS)

HOLES DIAMETERS AND CENTER TO CENTER SIZES



Chemical composition of AISI stainless steel grades

Material - Stainless steel	C %	Cr %	Ni %	Mo %
AISI 430 (1.4016)	0,12 max	14.0-18.0	/	/
AISI 304 (1.4301)	0,08 max	18.0-20.0	8.0-10.5	/
AISI 316 (1.4401)	0,08 max	16.0-18.0	10.0-14.0	2.00-3.00
AISI 316L (1.4404)*	0,03 max	16.0-18.0	10.0-14.0	2.00-3.00

*Standard Pba

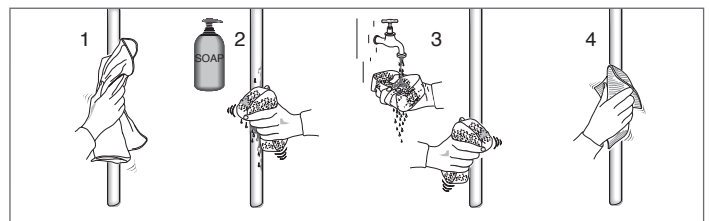
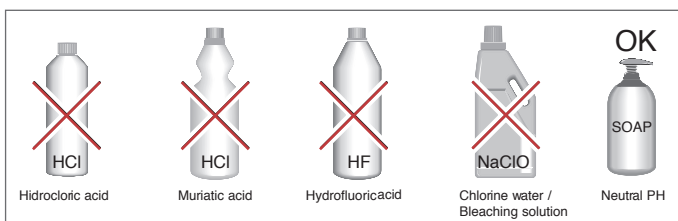
Estimated pit corrosion time – time to penetrate 1 mm (years) by steel type:

Location - Stainless Steel	Marine	Semi-industrial	Rural
Stainless steel AISI 430 (1.4016)	N/A	85	250
Stainless steel AISI 304 (1.4301)	145	135	770
Stainless steel AISI 316 (1.4401)	260	525	1200

Source: The British Stainless Steel Association [BSSA]

The stainless steel AISI 316L is an austenitic alloy. It is distinguished from others inoxidizable steels by the high percentage of molybdenum which gives it a special resistance to pitting corrosion and stress corrosion. In this kind of stainless steel, the percentage of nickel is increased to guarantee stability. Further, the "L" stands for low carbon and, in fact, the quantity is less than or equal to 0.03%. This feature prolongs the chrome carbide's precipitation time and avoids the risk of intergranular corrosion during the welding process.

MAINTENANCE



ADA

The Americans with Disabilities Act of 1990 (ADA), including the following amendments, fixes that door and gate hardware shall be operable with one hand and shall not require tight grasping, pinching and twisting of the wrist. Moreover a force of maximum 5 pounds (22,2 N) is required to operate the hardware. All pba ADA products are designed and produced in compliance of the above requirements. Final interpretation of ADA compliance is the responsibility of the specifier and should be determined relative to specific project conditions and local codes.

CHART OF PBA PRODUCTS CONTRIBUTION TO LEED V4

INTEGRATIVE PROCESS

<input type="checkbox"/>	IP PREREQUISITE	INTEGRATIVE PROCESS PLANNING AND DESIGN
--------------------------	-----------------	---

MATERIALS AND RESOURCES

<input type="checkbox"/>	MR PREREQUISITE	CONSTRUCTION AND DEMOLITION WASTE MANAGEMENT PLANNING
<input type="checkbox"/>	MR CREDIT	CONSTRUCTION AND DEMOLITION WASTE MANAGEMENT
<input type="checkbox"/>	MR CREDIT	BUILDING PRODUCT DISCLOSURE AND OPTIMIZATION - SOURCING OF RAW MATERIALS ➔ OPTION 2 LEADERSHIP EXTRACTION PRACTICES
<input type="checkbox"/>	MR CREDIT	BUILDING PRODUCT DISCLOSURE AND OPTIMIZATION - MATERIAL INGREDIENTS ➔ OPTION 2 MATERIAL INGREDIENT OPTIMIZATION

INDOOR ENVIRONMENTAL QUALITY



<input type="checkbox"/>	EQ CREDIT	LOW EMITTING MATERIALS
<input type="checkbox"/>	EQ CREDIT	CONSTRUCTION AIR QUALITY MANAGEMENT PLAN

INNOVATION

<input type="checkbox"/>	IN PILOT CREDIT	DESIGN FOR FLEXIBILITY
<input type="checkbox"/>	IN PILOT CREDIT	SOCIAL EQUITY
<input type="checkbox"/>	IN PILOT CREDIT	INCLUSIVE DESIGN
<input type="checkbox"/>	IN CREDIT	DESIGN FOR DECONSTRUCTION



MAPPED PBA PRODUCTS

<p>ARCHITECTURAL HARDWARE Accessories for doors and windows Locksets Accessories for toilet cubicles</p> 	<p>DESIGN FOR ALL Barrier free Bathroom accessories Handrail</p> 
---	---

<p>pba S.p.A. Tezze sul Brenta (VI) Italy info@pba.it</p>	<p>pba USA Inc. New York United States office@pba-usa.us</p>	<p>pba Deutschland GmbH Tönisvorst Deutschland info@de.pba.it</p>	 www.pba.it
---	--	---	---

GENERAL CONDITIONS OF SALE

1. AGREEMENT

1.1 The supply of the products shown in this pricelist ("Products") of PBA SpA ("PBA") shall be governed by these general conditions of sale ("General Conditions"). These General Conditions shall apply also to the sale of spare parts, when possible.

1.2 The sale agreement of the Products ("Agreement") is entered into force among the parties upon the Client's receipt of PBA's order confirmation.

These General Conditions shall be deemed as an integral and essential part of any Agreement.

1.3 These General Conditions shall be executed by the Client and attached to the first purchase order sent to PBA, it being agreed that they shall accordingly apply to any following Agreement.

1.4 These General Conditions shall be deemed as tacitly accepted by the Client for any supply of Products, unless expressly rejected in writing by the Client by means of notice thereof to be sent to PBA at the latest within 5 (five) days as of the date of receipt of PBA's confirmation of the first purchase order sent by the Client.

Should the Client expressly reject one or more of these General Conditions within the above term, PBA shall be free to withdraw from the relevant Agreement, by means of written communication thereof and without any further obligation.

1.5 In no event shall any general conditions of any nature, inserted and/or specified in the Client's order forms and/or in other documents sent to PBA by the Client, and/or of which the latter was made aware in any manner whatsoever, apply to any Agreement and/or to any supply of Products.

Any special term and/or condition of supply suggested by the Client shall apply to the Agreement only if expressly contained in PBA's order confirmation.

Any change and/or amendment to these General Conditions shall be binding and valid only if accepted in writing by both parties.

2. PLACE AND TERMS OF DELIVERY OF THE PRODUCTS

2.1 The choice of an Incoterm does not affect the location of the place of delivery of the Products which, in any case, shall be deemed as delivered to the Client at the place and in the moment in which they are put at disposal of the haulier, for the relevant transport, at PBA's premises in Tezze sul Brenta (Vicenza), Italy.

In any case, unless otherwise agreed in writing by the parties, PBA shall never be liable for delays accrued during the transportation.

2.2 The terms of delivery of the Products (i) are specified in PBA's order confirmation, (ii) are approximate and roughly set forth and (iii) in no case shall they be construed as of essence.

2.3 In case of delay in the delivery of the Products at PBA's premises, caused by a fortuitous event, force majeure or other causes not depending on PBA's willful misconduct and/or gross negligence, the Client shall not be entitled to claim any compensation for damages, nor to ask for the termination of the Agreement and/or for the reduction of the price of the Products.

3. INCOTERMS

Unless otherwise agreed in writing, the Products and the relevant prices are to be considered with delivery Ex-works (EXW – Incoterms 2000), PBA's premises in Tezze sul Brenta (VI), Italy or at the different place indicated by PBA in the notice Products ready for delivery.

4. ORDERS – NON STANDARD AND/OR MADE TO MEASURE PRODUCTS

4.1 The purchase orders shall be made in writing and completed with all the data required for the relevant design and manufacture.

4.2 When already approved by the Client for the supply of catalogue Products, it is agreed that these General Conditions shall also apply to the sale orders related to non standard Products, Products out of catalogue and/or to be made to measure, if confirmed by PBA.

4.3 Any delay of the Client in the transmission of data, measures and/or technical specifications of the Products subject matter of the Agreement may cause a proportional postponement of the delivery terms, to be newly determined by PBA on the basis of its industrial needs.

5. PRICES AND PAYMENTS

5.1 The prices of the Products indicated in this pricelist are merely indicative and can be modified at any time by PBA. The actual price of the Products is specified in PBA's order confirmation and, unless otherwise specified, it is deemed as net of VAT.

Any change and/or modification of the Products, agreed by the parties after the transmission of PBA's order confirmation, shall cause the adjustment of the relevant price due to any increase of the costs of production and/or of the raw materials, as agreed from time to time by the parties.

5.2 The price of the Products shall be paid by the Client as per the terms and ways specified in PBA's order confirmation, or otherwise agreed by the parties.

Any late collection or non collection of the Products shall not cause an extension and/or postponement of the terms of payment.

5.3 PBA shall be entitled to suspend the delivery of the Products should: (a) the Client's assets and/or financial standings endanger the relevant payment; (b) the Client fail to timely pay Products previously supplied by PBA, also on the basis of other Agreements, until full payment of the outstanding credit and/or until receipt of proper guarantees of the Client for any delivery in progress, without prejudice to PBA's right to claim for any damages suffered as a consequence thereof.

5.4 In no event shall any vice and/or defect of the Products, even when expressly acknowledged as such by PBA, and/or any delay of delivery as to the agreed terms give the Client the right to suspend the relevant payments and/or any other payment for whichever reason due to PBA also under other contractual relationships.

5.5 In case of late payments, PBA shall be entitled to charge interests on the unpaid amount at the rate provided by the law.

5.6 In no case shall the Client be entitled to set off any amount due to PBA in force of any Agreement against any amount due by PBA at any title whatsoever.

6. RETENTION OF TITLE

PBA shall be the sole owner of the Products until the date of their full payment.

Should the Agreement be terminated due to the Client's breach of contract, any Client's advance payment shall be kept by PBA as an indemnity within the limits set forth by the law, without prejudice to the latter's right to claim for further damages.

7. WARRANTY

7.1 PBA guarantees that the Products will be free from vices and defects in materials and workmanship for a period of 24 (twenty-four) months as of the date of the relevant delivery ("Warranty Period").

7.2 Should the complaints raised by the Client within the Warranty Period with reference to the Products be grounded and accepted by PBA, the latter shall, at its exclusive discretion, repair and/or replace the defective Product/s or the defective component/s of the same, with delivery Ex-works (EXW Incoterms 2000) PBA's premises in Tezze sul Brenta (VI), Italy.

The warranty obligations herewith undertaken shall be effective and binding only provided that PBA has the opportunity to verify the vices and/or defects raised by the Client.

PBA's warranty obligation shall be deemed as entirely fulfilled with the removal of the vice and/or defect raised by the Client, or with the replacement of the defective Product and/or component, without any further obligations.

Unless otherwise agreed in writing by the parties, all the expenses for returning to PBA the defective Products and/or components, as well as all the additional expenses related to the operations of repair or replacement shall be borne by the Client and shall be at the Client's risk.

7.3 Subject to the loss of warranty, the Client shall notify in writing, by registered letter return receipt requested, any vices and/or defects found within and not later than 8 (eight) days as of the date of the actual delivery of the Products, or, in case of hidden vices or defects, within and not later than 8 (eight) days as of the date of the relevant discovery.

7.4 The warranty is expressly excluded for vices and/or defects of the Products arising from or consisting in:

(i) any repair, alteration and/or modification not authorized in writing by PBA;

(ii) normal wear and tear of the materials or of single components;

(iii) improper use and/or application of the Products;

(iv) defects and/or mistakes in the measures and/or technical specifications supplied by the Client;

(v) deposit, maintenance and/or cleaning not in compliance with PBA's instructions;

(vi) installation not in compliance with PBA's instructions and/or carried out with non suitable materials;

(vii) any other event for which PBA is not directly liable.

Should the Client fail to regularly pay the agreed price, even if such default or such delay concerns a single part of the aggregate price of the Products, the warranty shall not apply.

7.5 Without prejudice to the compulsory product's liability law and any liability for willful misconduct and/or gross negligence, PBA shall not be liable for direct, indirect or incidental damages caused to the Client and and/or to third parties as a consequence of the defects of the Products. The Client shall not be entitled to terminate the Agreement in case of vices and/or defects of the Products subject matter of this warranty, should PBA timely comply with the relevant obligations.

7.6 The Products made of wood, pvc, rubber, rolled sections and/or of other natural materials shall be of a quality equal, within the limits of a reasonable similarity, to the relevant samples examined by the Client before the execution of the Agreement.

In no case shall therefore the samples of the Products examined by the Client be qualified as the exclusive standard for the exterior appearance of the Products.

Without prejudice to the warranty regulated by this clause 7, any chromatic and/or aesthetic difference (nervation of the wood, intensity of the colour shades, etc.) of the delivered Products compared to the characteristics of the relevant samples examined by the Client, shall not entitle the latter to terminate the Agreement and/or to ask for the replacement of the Products or for the reduction of the price.

7.7 In no event shall the chromatic differences between Products of the same type and/or colour, delivered with different lots and/or in different moments, be qualified as vices and/or defects of the Products, nor shall the Client be entitled to claim their replacement and/or the reduction of the relevant price as a consequence thereof.

8. MISPRINT AND PRINTING ERRORS

We are not responsible for any misprint or printing error in catalogs or price lists. All images and sizes are not binding. Modifications are reserved. Design modifications are reserved to technically enhance products

9. EXCLUSIVE COURT

All disputes arising out of or relating to these General Conditions, any Agreement and/or to the supply of Products shall be exclusively submitted to and settled by the Court of Vicenza, Italy.

PBA shall in any case be entitled, at its exclusive discretion, to institute legal proceedings against the Client before the Court of the place where the Client has its registered office.

10. APPLICABLE LAW

These General Conditions of sale and any Agreement shall be governed by Italian Law.

Should the Client be a foreign entity or in any case an entity having the registered office or the main place of business abroad, the Contracts related to the supply of the Products shall in any case be regulated by the United Nations Convention on the International Sale of Goods (Wien Convention, April 11, 1980)

11. WAIVER

Failure by PBA to enforce at any time the provisions of these General Conditions shall not be construed as a waiver of such provision or of the right to thereafter enforce each and every provision herein.

12. LANGUAGE

The Client executes these General Conditions in Italian and in English, it being agreed that should any conflict or inconsistency arise among the two versions, the Italian wording shall always prevail.

pba S.p.A. Via Enrico Fermi, 1 I-36056 Tezze sul Brenta (Vicenza) Italia
Tel. +39 0424 5451 Fax +39 0424 545222 info@pba.it www.pba.it

pba Deutschland GmbH Zum Schürmannsgraben 24 D-47441 Moers Deutschland
Tel. +49 2841 99890 0 Fax +49 2841 99890 20 info@de.pba.it www.pba.it

pba USA, Inc. 68 34th Street Suite C405 Unit 20 Industry City Brooklyn NYC
NY 11232 United States Tel. +1 212 255 4605 Fax +1 646 558 0335 office@pba-usa.us www.pba.it