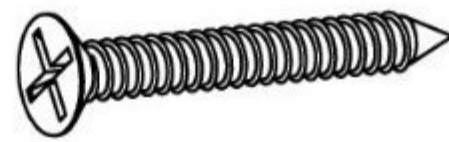
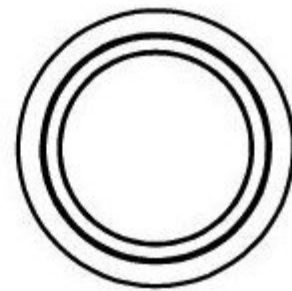
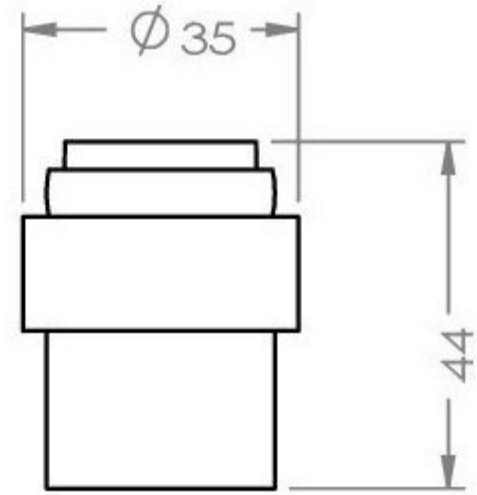
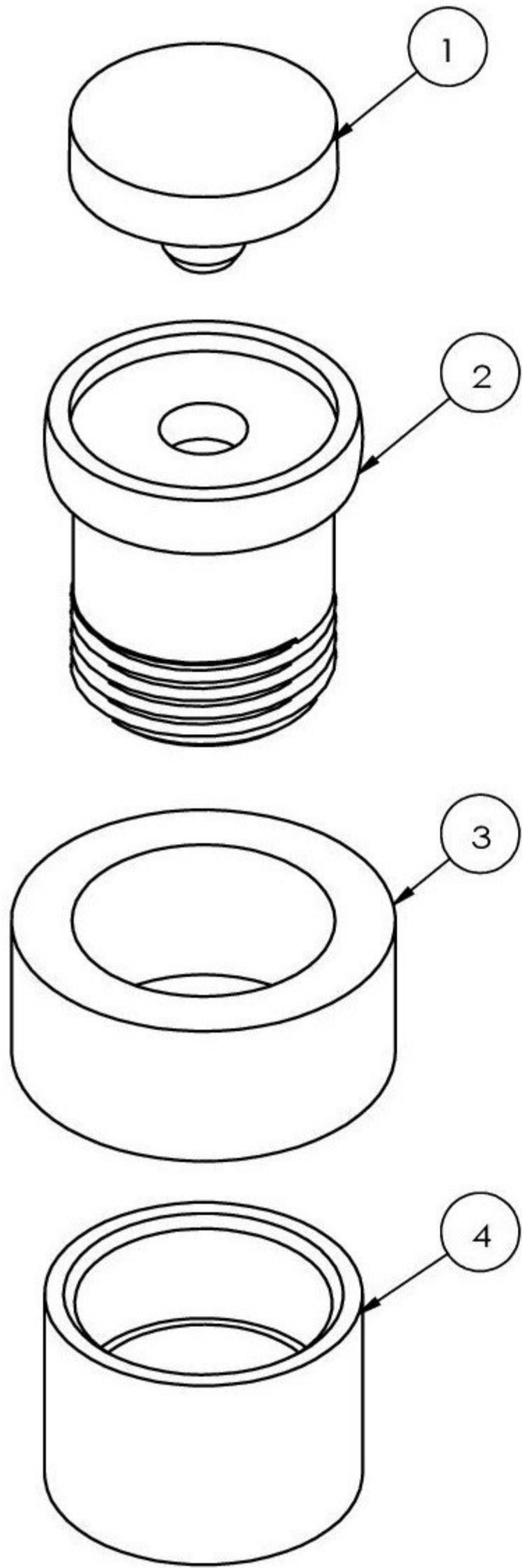
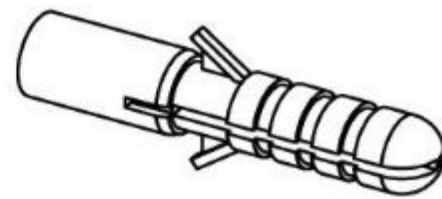


WL.DS034



10#*40



$\phi 8*36.5$